

## **HS-360X Four-Slot Spare Battery Charger**

---

### **Quick Start Guide**

**OMRON**  
MICROSCAN

Copyright ©2019  
Omron Microscan Systems, Inc.  
Tel: +1.425.226.5700 / 800.762.1149  
Fax: +1.425.226.8250

All rights reserved. The information contained herein is proprietary and is provided solely for the purpose of allowing customers to operate and/or service Omron Microscan-manufactured equipment and is not to be released, reproduced, or used for any other purpose without written permission of Omron Microscan. Throughout this document, trademarked names might be used. We state herein that we are using the names to the benefit of the trademark owner, with no intention of infringement.

### ***Disclaimer***

The information and specifications described in this document are subject to change without notice.

### ***Latest Document Version***

For the latest version of this document, see the Download Center on our web site at: **[www.microscan.com](http://www.microscan.com)**.

### ***Technical Support***

For technical support, e-mail:  
[Americas\\_support@microscan.com](mailto:Americas_support@microscan.com)  
[EMEA\\_support@microscan.com](mailto:EMEA_support@microscan.com)  
[APAC\\_support@microscan.com](mailto:APAC_support@microscan.com)  
[China\\_support@microscan.com](mailto:China_support@microscan.com)

### ***Warranty***

For current warranty information, see: [www.microscan.com/warranty](http://www.microscan.com/warranty).

### **Omron Microscan Systems, Inc.**

#### **United States Corporate Headquarters**

+1.425.226.5700 / 800.762.1149

#### **United States Northeast Technology Center**

+1.603.598.8400 / 800.468.9503

#### **European Headquarters**

+31.172.423360

#### **Asia Pacific Headquarters**

+65.6846.1214

## Introduction

The HS-360X Four-Slot Spare Battery Charger, P/N 98-9000185-01, charges up to four single spare batteries. The charger can sit on a desktop or mount on a wall. This document provides basic instructions for charger set up and use.

For best performance, fully charge the device battery before using the device for the first time.

To charge the device battery, insert the battery in the charger. The battery begins charging when the LED indicator on the battery charger LED is amber (blinking or stays on). A complete charge of a fully discharged battery can take up to five hours. Charge within the recommended temperature of 32° to 104° F (0° to 40° C) nominal, 41° to 95° F (5° to 35° C) ideal.

## Accessories

- Two screws (for wall mounting, if applicable; user-supplied).
- Power supply for desk/wall mounting configuration.

98-9000182-01	Kit, Power Supply for 4-Slot Battery Charger, HS-360X, A/C Power Cord Required
98-9000224-01	Battery, Spare, HS-360X Wireless
12-9000959-01	AC Power Cord, 2.5 M, U.S., C13 Conn.
12-9000960-01	AC Power Cord, 2.5 M, EU, C13 Conn.
12-9000961-01	AC Power Cord, 2.5 M, UK, C13 Conn.
12-9000962-01	AC Power Cord, 2.5 M, China, C13 Conn.
12-9001046-01	AC Power Cord, 1.8 M, Japan, C13 Conn.

## Unpacking

Carefully remove all protective material from around the equipment and inspect it for damage. If the equipment was damaged in transit, contact Omron Microscan Support. KEEP THE PACKING. It is the approved shipping container and should be used if the equipment ever needs to be returned for servicing.

## Related Documentation

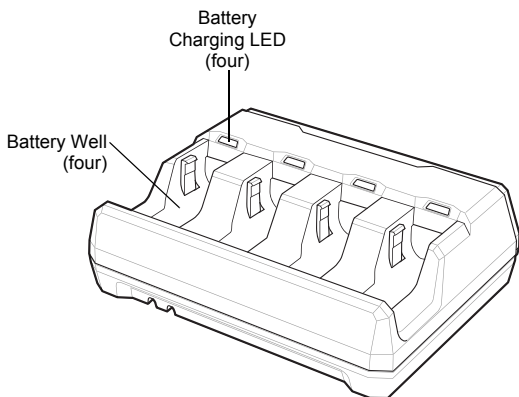
*HS-360X User Manual, P/N 84-9000360-02*

*HS-360X (Wireless, HDS-3678) Quick Start Guide, P/N 83-9310014-02*

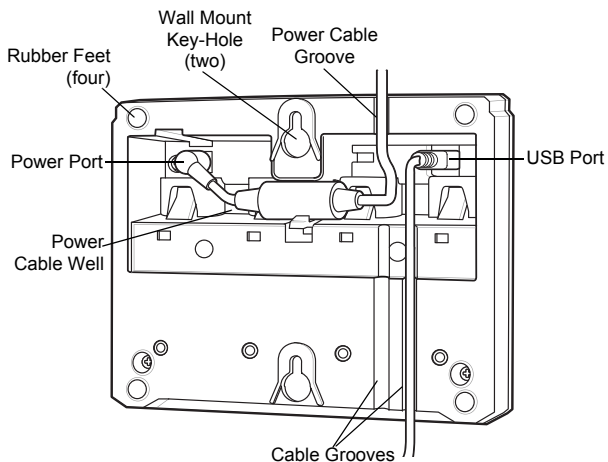
All documentation is available at: [www.microscan.com](http://www.microscan.com).

## Charger Parts

### Four-Slot Spare Battery Charger Front View



### Four Slot Spare Battery Charger Back View



✓ **NOTE** The USB port connection is only required to update firmware. It is not required for normal operation.

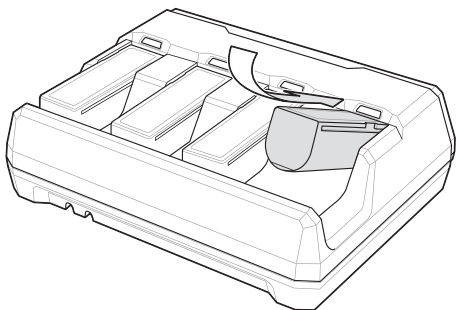
## Mounting the Charger

To mount the charger on a vertical (wall) surface:

1. Connect the power cable to the power port and an AC power source. Insert the power cable into the cable groove.
2. At the desired location, mark the location of the screws holes. The distance between the two mounting screw holes is 103 mm. The gap between the wall and the screw head is approximately 2.5 mm.
3. Pre-drill holes to accommodate two screws.
4. Attach the charger securely to the surface.
5. Insert up to four batteries to charge.

## Inserting Batteries

To insert batteries in the battery charger, angle the battery with the contacts facing up and slide the contact side of the battery under the LED indicator ledge as shown below. Push down on the label surface of the battery until it clicks in place, engaging the contacts in the battery charger.



## Removing Batteries

To remove batteries from the charger, pull the battery out of the battery well from the top of the battery.

## Charging Batteries

To insert batteries in the battery charger, angle the battery with the contacts facing up and slide the contact side of the battery under the LED indicator ledge as shown below. Push down on the label surface of the battery until it clicks in place, engaging the contacts in the battery charger.

## LED Indicators

### Power/Charging LED Sequence

#### Standard Use

Red, amber, green, off (all four LEDs)	Power up
Off	Idle

#### Battery Indications

Amber (blinking)	Charging
Amber (stays on)	Pre-charging
Green (stays on)	Fully charged
Amber (fast blinking)	Charging error

#### Battery End of Life Indications

Red (blinking)	Charging
Red (stays on)	Fully charged
Red (fast blinking)	Charging error

#### Maintenance Indications

Red (stays on; all four LEDs)	Enter bootloader
Red blinking (all four LEDs)	Firmware installation

## Troubleshooting

If the charger does not work after following the previous procedures:

- Check the system power.
- Check for loose cable connections.
- Check that batteries are inserted properly in the charger.



**CAUTION** Do not pour, spray, or spill any liquid on the charger.

## Maintenance

- Protect the charger from temperature extremes.
- Do not store or use the charger in any location that is extremely dusty, damp, or wet.

Use a soft cloth to clean the charger. If the surface of the charger becomes soiled, clean it with a soft cloth moistened with a diluted window-cleaning solution.

## Regulatory Information

This device is approved under Zebra Technologies Corporation.

This guide applies to Model Number: SAC3600. All Zebra devices are designed to be compliant with rules and regulations in locations they are sold and will be labeled as required.

Local language translations can be requested at: <http://www.microscan.com/support>.

Any changes or modifications to Zebra equipment, not expressly approved by Zebra, could void the user's authority to operate the equipment.

For use only with Omron Microscan-approved and UL-listed/recognized battery packs.



**CAUTION** Only use Omron Microscan-approved and UL-Listed accessories, battery packs, and battery chargers.

Do NOT attempt to charge damp/wet batteries.  
All components must be dry before connecting to an external power source.

Declared maximum operating temperature: 50°C.

## Power Supply

Use only an Omron Microscan-approved UL-LISTED ITE (IEC/EN 60950-1) power supply with electrical ratings: Output 12 Vdc, min 4.6A, with a maximum ambient temperature of at least 50 degrees C. Use of alternative power supply will invalidate any approvals given to this device and may be dangerous.

## Batteries

Taiwan - Recycling



「廢電池請回收」

EPA (Environmental Protection Administration) requires dry battery producing or importing firms in accordance with Article 15 of the Waste Disposal Act are required to indicate the recycling marks on the batteries used in sales, giveaway, or promotion. Contact a qualified Taiwanese recycler for proper battery disposal.

## Battery Information



**CAUTION** Risk of explosion if battery is replaced by an incorrect type.  
Dispose of batteries according to instructions.

Use only Omron Microscan-approved batteries. Accessories which have battery charging capability are approved for use with the following battery models: Part Number 12-9000939-01 (3.6 Vdc, TYP. 3150 mAh, MIN. 3100 mAh).

Omron Microscan-approved rechargeable battery packs are designed and constructed to the highest standards within the industry.

However, there are limitations as to how long a battery can operate or be stored before needing replacement. Many factors affect the actual life cycle of a battery pack such as heat, cold, harsh environmental conditions, and severe drops.

When batteries are stored over six months, some irreversible deterioration in overall battery quality may occur. Store batteries at half of full charge in a dry, cool place, removed from the equipment to prevent loss of capacity, rusting of metallic parts, and electrolyte leakage. When storing batteries for one year or longer, the charge level should be verified at least once a year and charged to half of full charge.

Replace the battery when a significant loss of run time is detected.

Standard warranty period for all Omron Microscan batteries is 30 days, regardless if the battery was purchased separately or included as part of the barcode scanner.

## Battery Safety Guidelines

The area in which the units are charged should be clear of debris and combustible materials or chemicals. Particular care should be taken where the device is charged in a non-commercial environment.

- Follow battery usage, storage, and charging guidelines found in the user's guide.
- Improper battery use may result in a fire, explosion, or other hazard.
- To charge the mobile device battery, the battery and charger temperatures must be between +32 °F and +104 °F (0 °C and +40 °C).
- Do not use incompatible batteries and chargers. Use of an incompatible battery or charger may present a risk of fire, explosion, leakage, or other hazard. If you have any questions about the compatibility of a battery or a charger, contact Omron Microscan support.
- Do not disassemble or open, crush, bend or deform, puncture, or shred.
- Severe impact from dropping any battery-operated device on a hard surface could cause the battery to overheat.
- Do not short circuit a battery or allow metallic or conductive objects to contact the battery terminals.
- Do not modify or remanufacture, attempt to insert foreign objects into the battery, immerse or expose to water or other liquids, or expose to fire, explosion, or other hazard.
- Do not leave or store the equipment in or near areas that might get very hot, such as in a parked vehicle or near a radiator or other heat source. Do not place battery into a microwave oven or dryer.
- Battery usage by children should be supervised.
- Please follow local regulations to promptly dispose of used re-chargeable batteries.
- Do not dispose of batteries in fire.
- Seek medical advice immediately if a battery has been swallowed.
- In the event of a battery leak, do not allow the liquid to come in contact with the skin or eyes. If contact has been made, wash the affected area with large amounts of water and seek medical advice.
- If you suspect damage to your equipment or battery, contact Omron Microscan support to arrange for inspection.

## Radio Frequency Interference Requirements - FCC



Note: This equipment has been tested and found to comply with the limits for a Class B digital device, pursuant to Part 15 of the FCC rules. These limits are designed to provide reasonable protection against harmful interference in a residential installation.

This equipment generates, uses and can radiate radio frequency energy and, if not installed and used in

accordance with the instructions, may cause harmful interference to radio communications. However there is no guarantee that interference will not occur in a particular installation. If this



equipment does cause harmful interference to radio or television reception, which can be determined by turning the equipment off and on, the user is encouraged to try to correct the interference by one or more of the following measures:

- Reorient or relocate the receiving antenna
- Increase the separation between the equipment and receiver
- Connect the equipment into an outlet on a circuit different from that to which the receiver is connected
- Consult the dealer or an experienced radio/TV technician for help.

## Radio Frequency Interference Requirements- Canada

CAN ICES-3 (B)/NMB-3(B)



## Marking and European Economic Area (EEA)

### Statement of Compliance

Omron Microscan hereby declares that this device is in compliance with all applicable Directives, 2014/30/EU, 2014/35/EU and 2011/65/EU. The full text of the EU Declaration of Conformity is available at the following internet address: <http://www.microscan.com/support>.

### Other Countries

#### Japan (VCCI) - Voluntary Control Council for Interference Class B ITE

この装置は、情報処理装置等電波障害自主規制協議会（VCCI）の基準に基づくクラスB情報技術装置です。この装置は、家庭環境で使用することを目的としていますが、この装置がラジオやテレビジョン受信機に近接して使用されると、受信障害を引き起こすことがあります。取扱説明書に従って正しい取り扱いをして下さい。

#### Korea Warning Statement for Class B ITE

기종별	사용자안내문
B급 기기 (가정용 방송통신기기)	이 기기는 가정용(B급)으로 전자파적합등록을 한 기기로서 주로 가정에서 사용하는 것을 목적으로 하며, 모든 지역에서 사용할 수 있습니다.

#### Chile

Este equipo cumple con la Resolución No 403 de 2008, de la Subsecretaría de telecomunicaciones, relativa a radiaciones electromagnéticas.

#### China

通过访问以下网址可下载当地语言支持的产品说明书

<http://www.microscan.com/support>



## Ukraine

Дане обладнання відповідає вимогам технічного регламенту №1057, № 2008 на обмеження щодо використання деяких небезпечних речовин в електричних та електронних пристроях.

## Thailand

เครื่องโทรคมนาคมและอุปกรณ์นี้ มีความสอดคล้องตามข้อกำหนดของ กทท.



## Waste Electrical and Electronic Equipment (WEEE)

**Bulgarian:** За клиенти от ЕС: След края на ползвания им живот всички продукти трябва да се връщат на Omron Microscan за рециклиране. За информацията относно връщането на продукти, моля отидете на адрес <http://www.microscan.com/support>.

**Čeština:** Pro zákazníky z EU: Všechny produkty je nutné po skončení jejich životnosti vrátit společnosti Omron Microscan k recyklaci. Informace o způsobu vrácení produktu najdete na webové stránce: <http://www.microscan.com/support>.

**Dansk:** Til kunder i EU: Alle produkter skal returneres til Omron Microscan til recirkulering, når de er udtjent. Læs oplysningerne om returnering af produkter på: <http://www.microscan.com/support>.

**Deutsch:** Für Kunden innerhalb der EU: Alle Produkte müssen am Ende ihrer Lebensdauer zum Recycling an Omron Microscan zurückgesandt werden. Informationen zur Rücksendung von Produkten finden Sie unter <http://www.microscan.com/support>.

**Ελληνικά:** Για πελάτες στην Ε.Ε.: Όλα τα προϊόντα, στο τέλος της διάρκειας ζωής τους, πρέπει να επιστρεφθούν στην Omron Microscan για ανακύκλωση. Για περισσότερες πληροφορίες σχετικά με την επιστροφή ενός προϊόντος, επισκεφθείτε τη διεύθυνση <http://www.microscan.com/support> στο Διαδίκτυο.

**English:** For EU Customers: All products at the end of their life must be returned to Omron Microscan for recycling. For information on how to return product, please go to: <http://www.microscan.com/support>.

**Español:** Para clientes en la Unión Europea: todos los productos deberán entregarse a Omron Microscan al final de su ciclo de vida para que sean reciclados. Si desea más información sobre cómo devolver un producto, visite: <http://www.microscan.com/support>.

**Eesti:** EL klientidele: kõik tooted tuleb nende eluea lõppedes tagastada taaskasutamise eesmärgil Omron Microscan'ile. Lisainformatsiooni saamiseks toote tagastamise kohta külastage palun aadressi: <http://www.microscan.com/support>.

**Suomi:** Asiakkaita Euroopan unionin alueella: Kaikki tuotteet on palautettava kierrätettäväksi Omron Microscan-yhtiöön, kun tuotetta ei enää käytetä. Lisätietoja tuotteiden palauttamisesta on osoitteessa <http://www.microscan.com/support>.

**Français :** Clients de l'Union Européenne : Tous les produits en fin de cycle de vie doivent être retournés à Omron Microscan pour recyclage. Pour de plus amples informations sur le retour de produits, consultez : <http://www.microscan.com/support>.

**Magyar:** Az EU-ban vásárlóknak: Minden tönkrement termékét a Omron Microscan vállalathoz kell eljuttatni újrahaznosítás céljából. A termék visszajuttatásának módjával kapcsolatos tudnivalókrét látogasson el a <http://www.microscan.com/support>.

**Italiano:** per i clienti dell'UE: tutti i prodotti che sono giunti al termine del rispettivo ciclo di vita devono essere restituiti a Omron Microscan al fine di consentirne il riciclaggio. Per informazioni sulle modalità di restituzione, visitare il seguente sito Web:

<http://www.microscan.com/support>.

**Lietuvių:** ES vartotojams: visi gaminiai, pasibaigus jų eksploatacijos laikui, turi būti grąžinti utilizuoti į kompaniją „Omron Microscan“. Daugiau informacijos, kaip grąžinti gaminių, rasite: <http://www.microscan.com/support>.

**Latviešu:** ES klientiem: visi produkti pēc to kalpošanas mūža beigām ir jānogādā atpakaļ Omron Microscan atreizējai pārstrādei. Lai iegūtu informāciju par produktu nogādāšanu Omron Microscan, lūdz, skatiet: <http://www.microscan.com/support>.

**Malti:** Għal klijenti fl-UE: il-prodotti kollha li jkunu waslu fl-aħħar tal-hajja ta' l-użu tagħhom, iridu jiġu rritornati għand Omron Microscan għar-riċiklaġġ. Għal aktar taġġir dwar kif għandek tirritorna l-prodott, jekk jogħġbok żur: <http://www.microscan.com/support>.

**Nederlands:** Voor klanten in de EU: alle producten dienen aan het einde van hun levensduur naar Omron Microscan te worden teruggezonden voor recycling. Raadpleeg <http://www.microscan.com/support> voor meer informatie over het terugzenden van producten.

**Polski:** Klienci z obszaru Unii Europejskiej: Produkty wycofane z eksploatacji należy zwrócić do firmy Omron Microscan w celu ich utylizacji. Informacje na temat zwrotu produktów znajdują się na stronie internetowej <http://www.microscan.com/support>.

**Português:** Para clientes da UE: todos os produtos no fim de vida devem ser devolvidos à Omron Microscan para reciclagem. Para obter informações sobre como devolver o produto, visite: <http://www.microscan.com/support>.

**Românesc:** Pentru clienții din UE: Toate produsele, la sfârșitul duratei lor de funcționare, trebuie returnate la Omron Microscan pentru reciclare. Pentru informații despre returnarea produsului, accesați: <http://www.microscan.com/support>.

**Slovenčina:** Pre zákazníkov z krajín EU: Všetky výrobky musia byť po uplynutí doby ich životnosti vrátené spoločnosti Omron Microscan na recykláciu. Blížšie informácie o vrátení výrobkov nájdete na: <http://www.microscan.com/support>.

**Slovenski:** Za kupce v EU: vsi izdelki se morajo po poteku življenjske dobe vrniti podjetju Omron Microscan za reciklažo. Za informacije o vračilu izdelka obiščite: <http://www.microscan.com/support>.

**Svenska:** För kunder inom EU: Alla produkter som uppnått sin livslängd måste returneras till Omron Microscan för återvinning. Information om hur du returnerar produkten finns på <http://www.microscan.com/support>.

**Türkçe:** AB Müşterileri için: Kullanım süresi dolan tüm ürünler geri dönüşürme için Omron Microscan'ya iade edilmelidir. Ürünlerin nasıl iade edileceği hakkında bilgi için lütfen şu adresi ziyaret edin: <http://www.microscan.com/support>.

## TURKISH WEEE Statement of Compliance

EEE Yönetmeliğine Uygundur

## China RoHS

This table was created to comply with China RoHS requirements.

部件名称 (Parts)	有害物质					
	铅 (Pb)	汞 (Hg)	镉 (Cd)	六价铬 (Cr (VI))	多溴联苯 (PBB)	多溴二苯醚 (PBDE)
金属部件 (Metal Parts)	○	○	○	○	○	○
电路模块 (Circuit Modules)	X	○	○	○	○	○
电缆及电缆组件 (Cables and Cable Assemblies)	○	○	○	○	○	○
塑料和聚合物部件 (Plastic and Polymeric Parts)	○	○	○	○	○	○
光学和光学组件 (Optics and Optical Components)	○	○	○	○	○	○
电池 (Batteries)	○	○	○	○	○	○

本表格依据SJ/T 11364 的规定编制。

O: 表示该有害物质在该部件所有均质材料中的含量均在 SJ/T 11364—2014 规定的限量要求以下。

X: 表示该有害物质至少在该部件的某一均质材料中的含量超出 SJ/T 11364—2014 规定的限量要求。(企业可在此处, 根据实际情况对上表中打“X”的技术原因进行进一步说明。)

This table was created to comply with China RoHS requirements.

# OMRON

## MICROSCAN

**Omron Microscan Systems, Inc.**  
**Tel: +1.425.226.5700 / 800.762.1149**  
**Fax: +1.425.226.8250**

All rights reserved. The information contained herein is proprietary and is provided solely for the purpose of allowing customers to operate and/or service Omron Microscan-manufactured equipment and is not to be released, reproduced, or used for any other purpose without written permission of Omron Microscan.

©2019 Omron Microscan Systems, Inc.

P/N 83-9310017-02 Rev C

