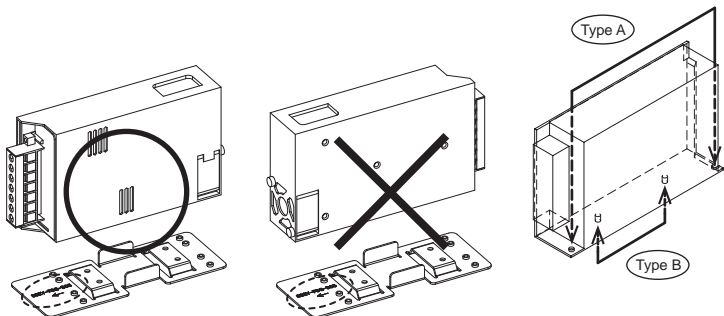


形 S8JX シリーズ, 形 S8VM シリーズからの置き換え金具の取り付け方法  
(底面取り付け)

Mounting method of the bracket for replacement  
from model S8JX series, model S8VM series  
(Bottom mounting)

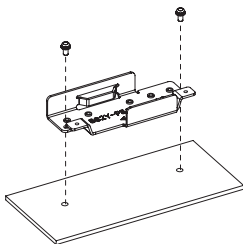
OMRON



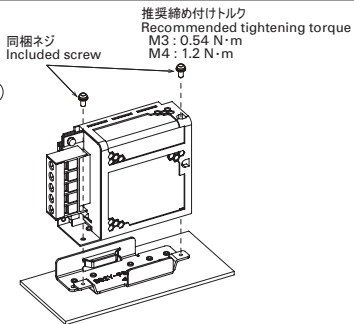
置き換え元機種 Model compatible with the source to be replaced		置き換え金具形式 Model of the bracket for replacement	使用取付穴 Mounting hole for use	
			Type A	Type B
S8JX	S8JX-N015□□ / S8JX-G015□□	S82Y-FSG-B01	a/d	A/B
	S8JX-N030□□ / S8JX-G035□□		a/d	A/B
	S8JX-N050□□ / S8JX-G050□□		a/b	D/F
	S8JX-N100□□ / S8JX-G100□□	S82Y-FSG-B03	d/e	A/D
	S8JX-N15048 / S8JX-G15048		a/b	A/E
	S8JX-N15024 / S8JX-G15024	S82Y-FSG-B04	a/b	A/E
	S8JX-N15012 / S8JX-G15012		a/d	A/F
	S8JX-N15005 / S8JX-G15005		a/d	A/F
	S8JX-N300□□ / S8JX-G300□□		-	A/B/D/E(※)
	S8JX-N600□□ / S8JX-G600□□	S82Y-FSG-B07	-	E/G/M/Q
	S8JX-P050□□	S82Y-FSG-B02	a/b	A/B
	S8JX-P100□□	S82Y-FSG-B03	a/b	A/B
	S8JX-P150□□	S82Y-FSG-B04	e/f	A/D
	S8JX-P300□□	S82Y-FSG-B05	-	D/E/H/M
S8JX-P600□□	S82Y-FSG-B07	-	D/F/H/N	
S8VM	S8VM-015□□	S82Y-FSG-B01	-	A/E
	S8VM-030□□		-	A/F
	S8VM-050□□	S82Y-FSG-B02	-	A/D/E
	S8VM-100□□	S82Y-FSG-B03	-	A/E/F
	S8VM-150□□	S82Y-FSG-B04	-	B/G/H
	S8VM-300□□	S82Y-FSG-B05	-	A/B/F/G
	S8VM-600□□	S82Y-FSG-B07	-	A/B/R/T

## Type A

①

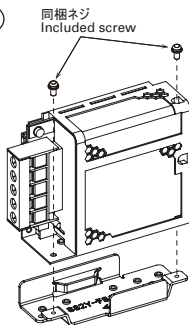


②

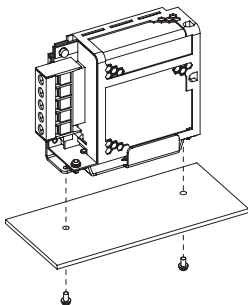


## Type B

①

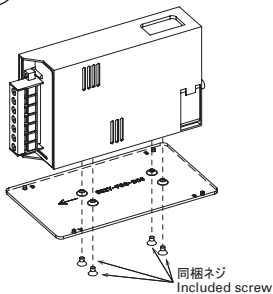


②



## Type B ※

①



②

