

E5ED Digital Controller

INSTRUCTION MANUAL

Thank you for purchasing the OMRON E5ED Digital Controller. This manual describes the functions, performance, and application methods needed for optimum use of the product.

Before using the product, thoroughly read and understand this manual to ensure correct use of the product.

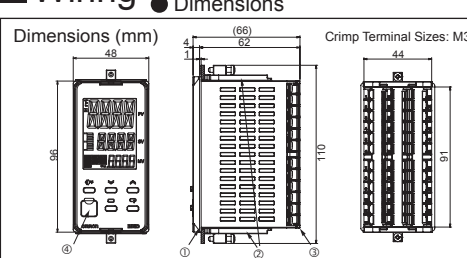
OMRON Corporation

Refer to the E5-CD Digital Controllers User's Manual (Cat. No. H224) for detailed application procedures.

Safety Precautions

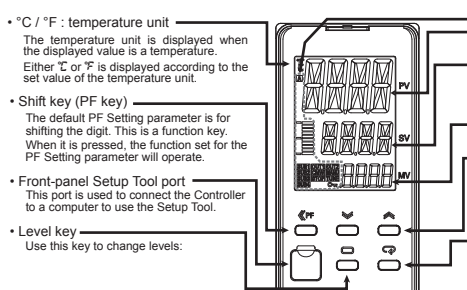
Indicates a potentially hazardous situation which, if not avoided, is likely to result in minor or moderate injury or property damage. Read this manual carefully before using the product.

Wiring Dimensions



* You can remove only the interior body of the Digital Controller from the case with the Draw-out Jig to perform maintenance without removing the terminal leads.

Names of Parts on Front Panel



Operation Menu

Table with columns for Input type, Setting, and Setting range. Lists parameters like Platinum resistance thermometer, Thermocouple, and Current input.

Alarms

Table with columns for Setting, Alarm type, and Alarm output. Lists various alarm functions like Deviation upper/lower limit, Absolute value upper/lower limit, etc.

Conformance to Safety Standard

Due to UL Listing requirements, the E5-CT4 or E54-CT4, used for applications with the factory wiring, must be UL listed.

Conformance to EN/IEC Standards

This is a Class A Product. In residential areas it may cause radio interference, in which case the user may be required to take adequate measures to reduce interference.

Warning Symbols

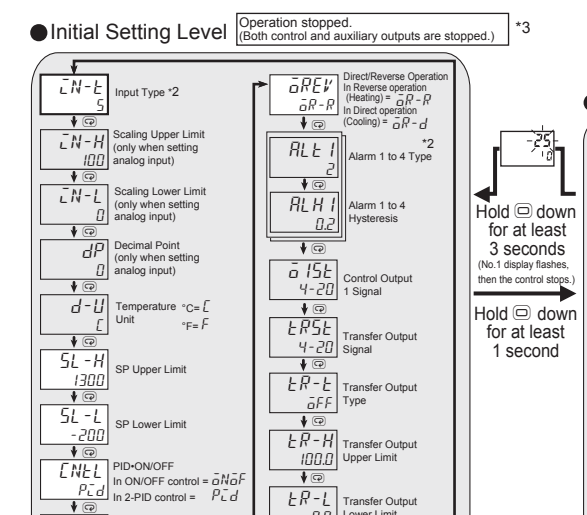
CAUTION Minor injury due to electric shock may occasionally occur. Do not touch the terminals while power is being supplied.

OMRON Companies shall not be responsible for conformity with any standards, codes or regulations which apply to the combination of the Product in the Buyer's application or use of the Product.

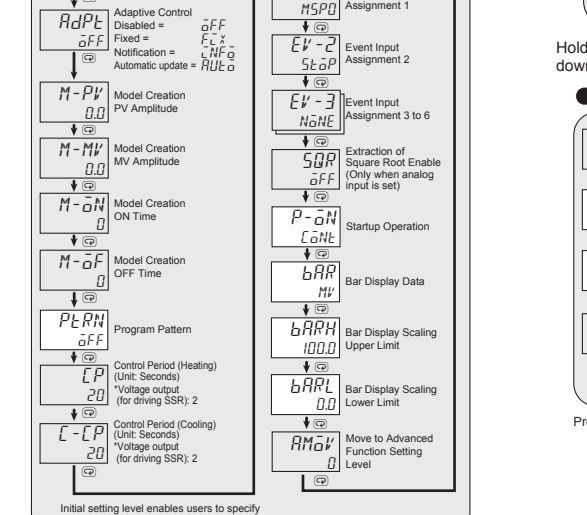
Installation Individual mounting (mm) Side-by-side mounting (mm) (48 x number of units-2.5) ± 1.0

Connections The applicability of the electric terminals varies with the type of machine. Do not connect anything to the terminals that are shaded gray.

Initial Setting Level



Adjustment Level



Error Display (troubleshooting)

Table with columns for No. display, Meaning, Action, Status error, and Alarm. Lists error codes like SERR (S.Err), E333 (E333), and E111 (E111).

Other functions

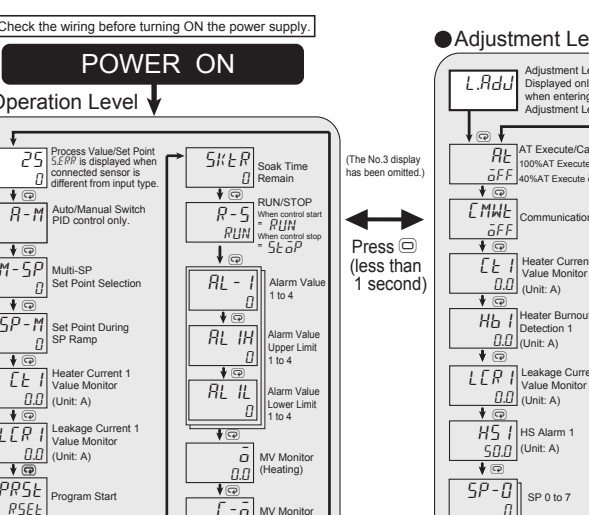
Refer to the E5-CD Digital Controllers Communications Manual (Cat. No. H225) for information on communications.

Specifications

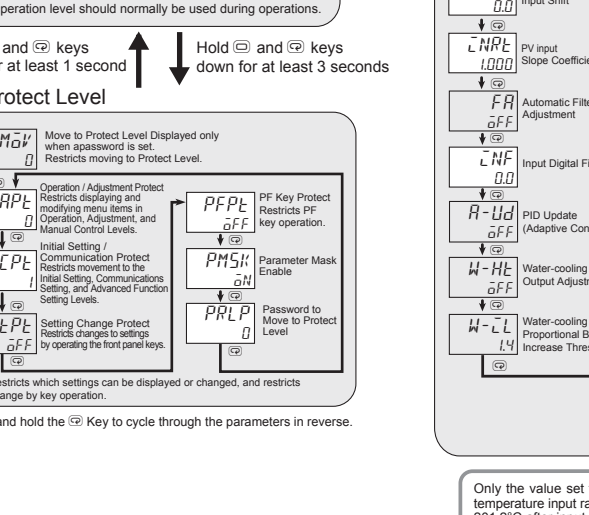
Power supply voltage 100 to 240 VAC, 50/60 Hz or 24 VDC, 50/60 Hz/24VDC 85 to 110% of the rated voltage

Operation Level POWER ON Operation Level 1 (This is the initial level) Press (less than 1 second) Hold (at least 1 second) Hold (at least 3 seconds)

Adjustment Level



Error Display (troubleshooting)



Other functions

Table with columns for No. display, Meaning, Action, Status error, and Alarm. Lists error codes like SERR (S.Err), E333 (E333), and E111 (E111).

Other functions

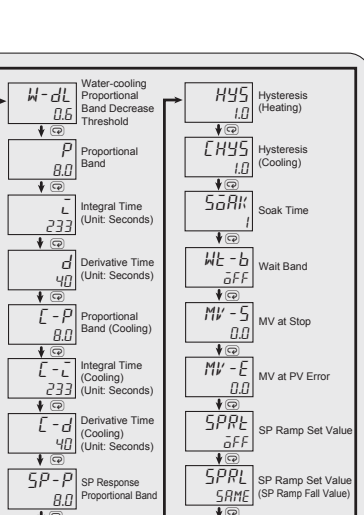
Refer to the E5-CD Digital Controllers Communications Manual (Cat. No. H225) for information on communications.

Precautions for Safe Use

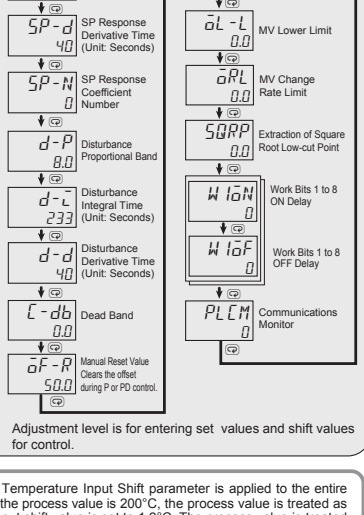
Please observe the following precautions to prevent operation failure, malfunction, or adverse effects on performance and function of the product.

Control output 1 No contact input Control output 2 Auxiliary output 1, 2, 3, 4

Adjustment Level



Error Display (troubleshooting)



Other functions

Table with columns for No. display, Meaning, Action, Status error, and Alarm. Lists error codes like SERR (S.Err), E333 (E333), and E111 (E111).

Other functions

Refer to the E5-CD Digital Controllers Communications Manual (Cat. No. H225) for information on communications.

E5ED 数字式控制器

CHN 使用说明书

感谢您购买欧姆龙E5ED数字式控制器。本说明书描述了产品的功能、性能以及充分发挥产品使用效果的应用方法。

在投入使用该产品前，请仔细阅读本说明书。请妥善保管本说明书以备将来随时查阅。

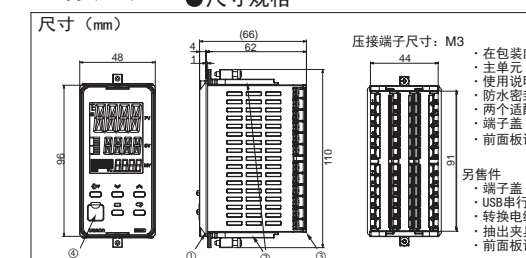
欧姆龙公司

有关详细步骤，请参阅《E5-CD数字式控制器用户手册》(Cat. No. H224)。

安全注意事项

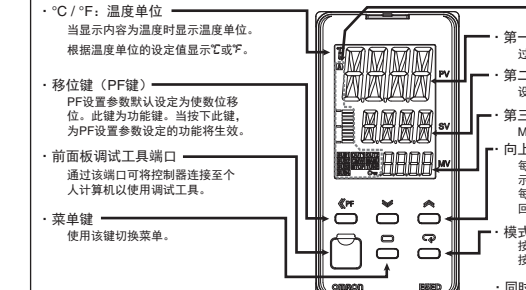
表示潜在的危险情况，如不加以防止，很可能导致轻度或中度的人身伤害或财产损失。

接线 尺寸规格



* 您可使用由欧姆龙公司提供的数字式控制器的内部主体以执行维护，而不用拆下端子导线。

前面板的元件名称



操作菜单

Table with columns for Input type, Setting, and Setting range. Lists parameters like Platinum resistance thermometer, Thermocouple, and Current input.

报警 (报警是来自辅助输出的输出)

Table with columns for Setting, Alarm type, and Alarm output. Lists various alarm functions like Deviation upper/lower limit, Absolute value upper/lower limit, etc.

符合安全标准

由于UL认证要求，请使用带有“接线”（内部接线）的E5-CT4或E54-CT4电压表。

符合EN/IEC标准

This is a Class A Product. In residential areas it may cause radio interference, in which case the user may be required to take adequate measures to reduce interference.

警告符号

请勿触摸带电端子。请勿触摸带电端子。请勿触摸带电端子。请勿触摸带电端子。

在投入使用该产品前，请仔细阅读本说明书。请妥善保管本说明书以备将来随时查阅。

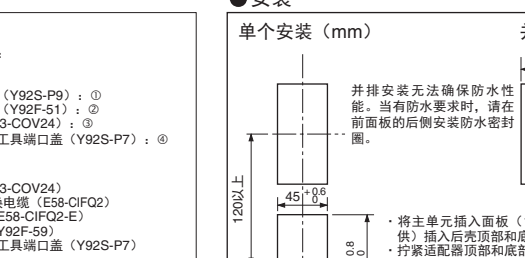
欧姆龙公司

有关详细步骤，请参阅《E5-CD数字式控制器用户手册》(Cat. No. H224)。

安全注意事项

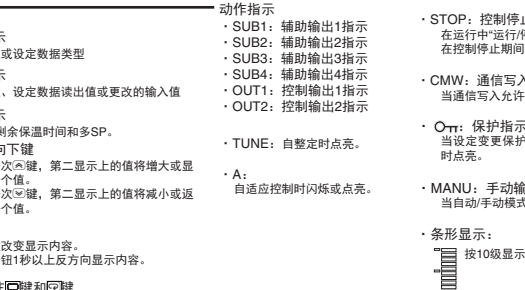
表示潜在的危险情况，如不加以防止，很可能导致轻度或中度的人身伤害或财产损失。

接线 尺寸规格



* 您可使用由欧姆龙公司提供的数字式控制器的内部主体以执行维护，而不用拆下端子导线。

前面板的元件名称



操作菜单

Table with columns for Input type, Setting, and Setting range. Lists parameters like Platinum resistance thermometer, Thermocouple, and Current input.

报警 (报警是来自辅助输出的输出)

Table with columns for Setting, Alarm type, and Alarm output. Lists various alarm functions like Deviation upper/lower limit, Absolute value upper/lower limit, etc.

符合安全标准

由于UL认证要求，请使用带有“接线”（内部接线）的E5-CT4或E54-CT4电压表。

符合EN/IEC标准

This is a Class A Product. In residential areas it may cause radio interference, in which case the user may be required to take adequate measures to reduce interference.

安全使用注意事项

请务必遵守以下注意事项，以免操作失误、误动作或产品性能降低等不良后果，否则可能导致人身伤害、财产损失或火灾等。

在投入使用该产品前，请仔细阅读本说明书。请妥善保管本说明书以备将来随时查阅。

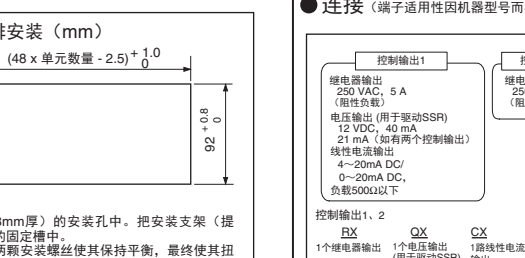
欧姆龙公司

有关详细步骤，请参阅《E5-CD数字式控制器用户手册》(Cat. No. H224)。

安全注意事项

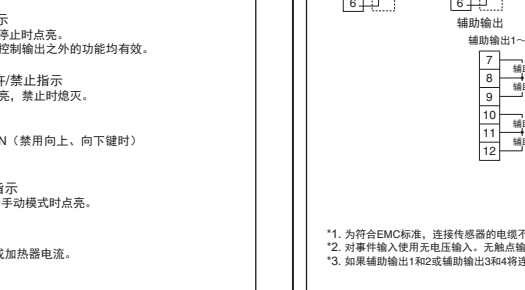
表示潜在的危险情况，如不加以防止，很可能导致轻度或中度的人身伤害或财产损失。

接线 尺寸规格



* 您可使用由欧姆龙公司提供的数字式控制器的内部主体以执行维护，而不用拆下端子导线。

前面板的元件名称



操作菜单

Table with columns for Input type, Setting, and Setting range. Lists parameters like Platinum resistance thermometer, Thermocouple, and Current input.

报警 (报警是来自辅助输出的输出)

Table with columns for Setting, Alarm type, and Alarm output. Lists various alarm functions like Deviation upper/lower limit, Absolute value upper/lower limit, etc.

符合安全标准

由于UL认证要求，请使用带有“接线”（内部接线）的E5-CT4或E54-CT4电压表。

符合EN/IEC标准

This is a Class A Product. In residential areas it may cause radio interference, in which case the user may be required to take adequate measures to reduce interference.

规格

供电电压 100~240 VAC, 50/60 Hz或 24 VDC, 50/60 Hz/24VDC 85~110% 的额定电压

在投入使用该产品前，请仔细阅读本说明书。请妥善保管本说明书以备将来随时查阅。

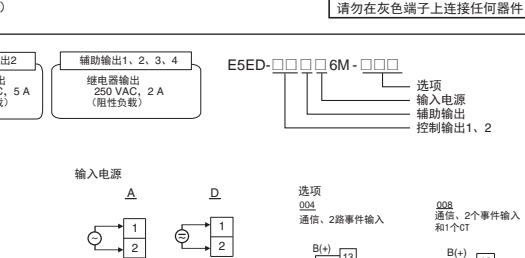
欧姆龙公司

有关详细步骤，请参阅《E5-CD数字式控制器用户手册》(Cat. No. H224)。

安全注意事项

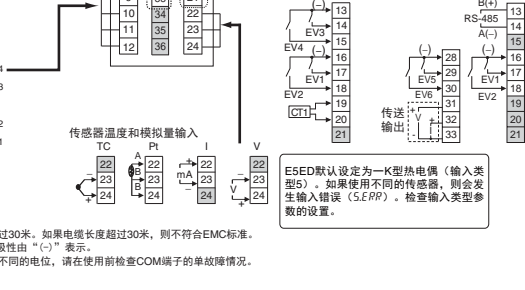
表示潜在的危险情况，如不加以防止，很可能导致轻度或中度的人身伤害或财产损失。

接线 尺寸规格



* 您可使用由欧姆龙公司提供的数字式控制器的内部主体以执行维护，而不用拆下端子导线。

前面板的元件名称



操作菜单

Table with columns for Input type, Setting, and Setting range. Lists parameters like Platinum resistance thermometer, Thermocouple, and Current input.

报警 (报警是来自辅助输出的输出)

Table with columns for Setting, Alarm type, and Alarm output. Lists various alarm functions like Deviation upper/lower limit, Absolute value upper/lower limit, etc.

符合安全标准

由于UL认证要求，请使用带有“接线”（内部接线）的E5-CT4或E54-CT4电压表。

符合EN/IEC标准

This is a Class A Product. In residential areas it may cause radio interference, in which case the user may be required to take adequate measures to reduce interference.

规格

供电电压 100~240 VAC, 50/60 Hz或 24 VDC, 50/60 Hz/24VDC 85~110% 的额定电压

在投入使用该产品前，请仔细阅读本说明书。请妥善保管本说明书以备将来随时查阅。

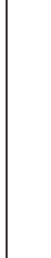
欧姆龙公司

有关详细步骤，请参阅《E5-CD数字式控制器用户手册》(Cat. No. H224)。

安全注意事项

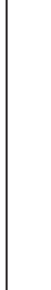
表示潜在的危险情况，如不加以防止，很可能导致轻度或中度的人身伤害或财产损失。

接线 尺寸规格



* 您可使用由欧姆龙公司提供的数字式控制器的内部主体以执行维护，而不用拆下端子导线。

前面板的元件名称



操作菜单

Table with columns for Input type, Setting, and Setting range. Lists parameters like Platinum resistance thermometer, Thermocouple, and Current input.

报警 (报警是来自辅助输出的输出)

Table with columns for Setting, Alarm type, and Alarm output. Lists various alarm functions like Deviation upper/lower limit, Absolute value upper/lower limit, etc.

符合安全标准

由于UL认证要求，请使用带有“接线”（内部接线）的E5-CT4或E54-CT4电压表。

符合EN/IEC标准

This is a Class A Product. In residential areas it may cause radio interference, in which case the user may be required to take adequate measures to reduce interference.

其他功能

有关各功能设定菜单、手持控制器的以及其他的信息，请参考《E5-CD数字式控制器用户手册》(Cat. No. H224)。

联系方式

欧姆龙(上海)有限公司 地址: 中国(上海)自由贸易试验区吉浦路789号

技术支持

欧姆龙自动化(中国)有限公司 地址: 中国上海市浦东新区城阳路200号中银大厦211室

服务热线

400-820-4535

网站

http://www.fa.omron.com.cn

