

4070368-8C

OMRON NX-EIC202 INSTRUCTION SHEET

© OMRON Corporation 2014-2015 All Rights Reserved.

Precautions for Compliance with UL Standards and CSA Standards

Notice to Users of the NX series NX-EIC202 in USA and Canada

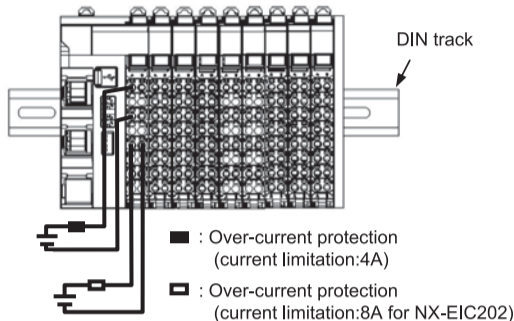
Please use the following installation information instead of the general information in the instruction manuals in order to use the product under certified conditions of UL and CSA when the product is installed in the USA or Canada. These conditions are required by NFPA 70, National Electrical Code in the USA and the Canadian Electrical Code, Part I in Canada and may vary from information given in the product manuals or safety precautions.

● Environment

Surrounding Air Temperature: 55°C

● Current restrictions from power supply connector

The external power supply must be an isolated DC source.
It must be equipped with an over-current protection with current limitation.



● Applicable wire size for Unit power source and IO power source terminal

Current limitation	Type	Strip length	Conductor surface
4A max.	Solid/Strand	9mm	Plated
Exceeds 4A	Strand	9mm	Plated

Do not use ferrule terminals. Insert the strand or solid wire directly into the holes on the terminal block.
Please select wire size suitable for rated current.

Wire size	Current (MAX)
AWG 24	2A
AWG 22	3A
AWG 20	5A
AWG 18	7A
AWG 16	10A

● LAN Cable

Product name	Comment
Twisted-pair cable (Cable with connectors below are also allowed)	100BASE-TX (Category 5 or higher) Single-shield (foil or braided shielding)
RJ45 connector	Category 5e or higher shielded

● Compliance with Class I Division 2 Hazardous Location:

Input and output wiring must be in accordance with Class I Div.2 wiring methods and in accordance with the authority having jurisdiction.

1. This equipment is suitable for use in Class I, Div.2, Group A, B, C, D or Non-Hazardous Locations Only.

CET APPAREILLAGE EST UTILISABLE DANS LES EMPLACEMENTS DE CLASSE I, DIVISION 2, GROUPE A, B, C ET D, OU DANS LES EMPLACEMENTS NON DANGEREUX SEULEMENT.

2. WARNING: Explosion Hazard – Substitution of Components may Impair Suitability for Class I, Div.2.

AVERTISSEMENT - RISQUE D'EXPLOSION – LA SUBSTITUTION DE COMPOSANTS PEUT RENDRE CE MATERIEL INACCEPTABLE POUR LES EMPLACEMENTS DE CLASSE I, DIVISION 2.

3. WARNING: Explosion Hazard – Do not Disconnect Equipment Unless Power Has Been Switched off or the Area Is Known to Be Non-Hazardous.

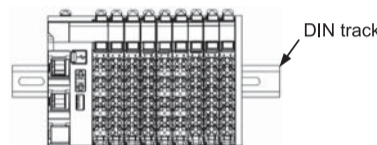
AVERTISSEMENT - RISQUE D'EXPLOSION - AVANT DE DECONNECTER L'EQUIPEMENT, COUPER LE COURANT OU S'ASSURER QUE L'EMPLACEMENT EST DESIGNÉ NON DANGEREUX.

4. This device is open-type and is required to be installed in an enclosure suitable for the environment and can only be accessed with the use of a tooenvironment and/or key.

CE DISPOSITIF EST DE TYPE OUVERT ET DOIT ÊTRE INSTALLÉ DANS UN COFFRET ADAPTE À L'ENVIRONNEMENT ET AUQUEL ON NE POURRA ACCÉDER UNIQUEMENT AU MOYEN D'UN OUTIL OU D'UNE CLÉ.

● Direction for installation

Vertical only.



OMRON

OMRON Corporation
Control Devices Division H.Q.
Shiojiri Horikawa, Shimogyo-ku,
Kyoto, 600-8530
Japan
Tel: (81)75-344-7109
Fax: (81)75-344-7149

Regional Headquarters
OMRON EUROPE B.V.
Wegalaan 67-69,
2132 JD Hoofddorp
The Netherlands
Tel: (31)2356-81-300
Fax: (31)2356-81-388

OMRON ELECTRONICS LLC
2895 Greenspoint Parkway,
Suite 200 Hoffman Estates,
IL 60169 U.S.A.
Tel: (1) 847-843-7900
Fax: (1) 847-843-7787

OMRON ASIA PACIFIC PTE. LTD
No. 438A Alexandra Road
05-05/08 (Lobby 2),
Alexandra Technopark,
Singapore 119967
Tel: (65)6835-3011
Fax: (65)6835-2711

OMRON (CHINA) CO., LTD.
Room 2211, Bank of
China Tower,
200 Yin Cheng Zhong Road,
PuDong New Area, Shanghai,
200120 China
Tel: (86)21-5037-2222
Fax: (86)21-5037-2200

Note: Specifications subject to change without notice.
Printed in China

OMRON

NX 系列

安全上的注意事项

感谢您购买本公司的 NX 系列通信 Coupler 单元。为了您能安全地使用本产品，请务必阅读本说明书和其他相应模块的参考手册。
有关参考手册可以与本公司最近的代理商联系并索取最新版资料。
另外，请妥善保管本说明书和参考手册，同时向最终用户寄送此类资料。

欧姆龙（上海）有限公司

© OMRON Corporation 2014-2015 All Rights Reserved. 4070368-8C

商标

- ODVA、CIP、CompoNet、DeviceNet 和 EtherNet/IP 是 ODVA 注册的商标。
- EtherCAT® 是已经注册的商标和专利，由德国倍福电气有限公司许可使用。

本文中出现的其他公司名称和名称是其各自公司的商标或注册商标。

安全上的注意事项

●警告 / 注意表示的含义

警告 如不正确处理，则有可能对人身造成轻度或中度的伤害，严重情况下，甚至会导致重伤或死亡，另外可能会造成重大财产损失。

注意 如不正确处理，则有可能对人身造成轻度或中度的伤害，另外可能会造成财产损失。

●警告表示

警告

请先确认操作对象的安全性后，再通过 Sysmac Studio 等工具软件向单元传送配置信息、参数和设定值等各种数据。否则无论 CPU 单元是否处于工作模式，控制器都有可能出现异常动作。

考虑到即使由于可编程控制器（包括 CPU 单元以及各单元统称为 PLC）的故障或 PLC 外部的原因导致出现异常时，系统整体也能安全运行，所以请务必在 PLC 外部采取安全措施。异常动作可能会引起重大事故。

- 请务必与异常停止回路、互锁回路、限制回路等安全保护相关的回路构成 PLC 外部的控制回路。
- CPU 单元会在以下几种情况发生时，使基本输出单元的所有输出为 OFF。远程 I/O 从站将根据各单元预先的设定动作。
当电源出现异常时
当电源的连接发生故障时
当 CPU 看门狗定时器出错或 CPU 复位出错时

当控制器发生致命错误时
当电源 ON 的时候，CPU 单元进入到运行模式之前的启动过程中

为了确保系统在上述几种情况发生时也能安全运行，请务必在 PLC 外部采取安全措施。

(3) 有时由于输出继电器的熔断和烧毁、输出晶体管损坏等原因，会导致控制器的输出始终停留在 ON 或 OFF 状态。此时，为了使系统能在安全的情况下运行，请在控制器外部采取相应措施。

(4) 如果从站的外部电源（工作电源）发生过载或短路时，电压会下降，有时输出会变成 OFF，系统可能无法读取输入的状态。此时，为了使系统能在安全的情况下运行，请在 PLC 的外部采取相应措施。

(5) 如因信号线断开、瞬间停电而产生异常信号时，请使用者采取安全保护措施。异常动作有引起重大安全事故的危险。

输入到模块的电压 / 电流，请按规定的电压 / 电流范围使用。如果使用超出范围的电压 / 电流的话，可能引起故障和火灾。

通电中请勿触摸端子，否则有触电危险。

通电中请勿拆卸单元、触摸产品内部零件，否则有触电危险。而且产品内部有许多尖锐的部品会使您受伤。

注意

请确认延长周期时间对其无影响后再进行在线编辑。如果进行在线编辑会导致任务时间大于任务周期，有时会出现外部设备无法进行 I/O 刷新，输入信号无法读取和输出时间改变等情况。

安全要点

- 请勿使产品坠落或受异常振动和冲击，这样会导致单元故障或烧毁。
- 运送单元时请使用专门的包装箱。在运输过程中请尽量避免过度振动或冲击。
- 请不要拽拉或弯折电缆超过其允许的限度。同样，请不要在电缆上悬挂重物，这样会损坏电缆。
- 当要追加 I/O 电源时，请使用符合单元规格的电源。
- 在接线时，请防止金属碎片进入机身内部。
- 在更换单元时，请先将设置和执行操作所必需的变量传送到新单元再对其进行操作。
- 在系统运行前，请先将连接在通信 Coupler 单元后面的 NX 单元注册到通信主站单元里作为单元配置信息。
- 在使用单元进行实际操作前，请先检查用户程序、数据和参数设置是否正确。
- 请使用参考手册上指定的电源。
- 请按照参考手册上指定的电源电压来使用。
- 在进行以下操作时，请将单元电源关闭。
拆装 NX 单元、通信 Coupler 单元或 CPU 单元时
拆装装置时
设定拨位开关和旋转开关时
连接电缆或接线时
拆装连接器或端子台时
电源单元在断电后还将持续供电几秒钟。在这段时间内电源指示灯还会亮着，请先确认电源指示灯灭了后再对其进行操作。
- 请先确认对系统没有影响之后再行下列操作。
CPU 单元动作模式的切换（包括上电时的动作模式设定）
更改用户程序或设定
当前值和设定值的变更
接点的强制设定 / 重设

- 在连接单元时，请勿超出规格允许最大连接距离和数量。
- 安装端子和连接器时，请仔细检查安装的位置，确保采用锁定单元的元件（端子台、通信电缆等）被正确锁定到位。
- 请先确认对系统没有影响之后再行将动作模式置于运行状态。
- 请勿将超过额定值的电压接到输入单元。
- 请充分确认接线、开关等设定后再通电。
- 请充分确认接线后再通电。在接线时请使用正确的配件和工具。
- 如果传感器的冷端没有连接到温度检测单元上，那么无论是否有冷端补偿都无法测到正确的温度。请确保传感器的冷端被正确的连接到温度检测单元。
- 连接传感器冷端的单元和回路需要被校准。如果一个传感器被连接到 2 个不同的单元或开关上是无法测到正确的温度的。请确保您所使用的传感器的两端都接到同一个单元上。

正确的使用方法

- 在传送数据时请不要关闭电源。
- 请按照参考手册，正确安装和接线。
- 请勿在以下场所中使用或贮存控制器，否则将导致烧毁、运行停止或出现故障。
受日光直射的场所
环境温度 and 相对湿度超过规格要求的场所
温度变化剧烈，容易引起结露的场所
有腐蚀性气体、可燃性气体的场所
有粉尘、粉尘、盐分、铁粉较多的场所
有水、油、药品等飞溅的场所
对本体直接产生振动和冲击的场所
- 在以下场所使用时，请采取遮蔽措施。
有较强高频干扰的场所
有静电等发生于干扰的场所
有较强电磁场的场所
可能暴露于射线的场所
靠近电源线的场所
- 在接触单元前，为使人体所积聚的静电放电，请务必先接触地金属。
- 电源单元要在额定电压下使用。在电源状况不佳的地方使用时，请尽量能供给稳定的额定电压和额定频率。

与 EC 指令的一致性

- 该产品组装成一套完整的 PLC 系统时，是符合 EMC 指令的。并且为其符合 EMC 指令，请遵守以下在相关手册中列出的注意事项和安装方法，以确保符合 EMC 指令。
本产品必须安装在控制柜中。
请务必对连接到 DC 电源单元的接线作加强绝缘或双重隔离。
详细方法请参考相关的参考手册。
- 本产品为“class A”工业环境产品。如果用于民用环境，可能会引起电磁干扰。因此，当用于民用环境时，请做好电磁干扰的对应措施。

参考手册

型号 / 手册名称	Cat. No.
NX-EIC202 Machine Automation Controller NX-series EtherNet/IP™ Coupler Units User's Manual	W536
NX-4D/IA/OD/OC/ MD0000 Machine Automation Controller NX-series Digital I/O Units User's Manual	W521
NX-AD/DA/ TS0000 Machine Automation Controller NX-series Analog I/O Units User's Manual	W522
NX-PD/PF/ PC0000 NX-TBX00 Machine Automation Controller NX-series System Units User's Manual	W523
NX-EC0000 NX-ECSD00 NX-PG0000 Machine Automation Controller NX-series Position Interface Units User's Manual	W524
NX Series Machine Automation Controller NX-series Data Reference Manual	W525
SYSMAC- SE2000 Sysmac Studio Version 1 Operation Manual	W504
CS1W-EIP21 CJ1W-EIP21 CJ2M-CPU00-EIP CJ2M-CPU30 Sysmac CS and CJ Series EtherNet/IP Units Operation Manual	W465
NX-SL0000 NX-SI0000 NX-SO0000 Machine Automation Controller NX-series Safety Control Unit User's Manual	Z930

使用时的注意事项

在客户的应用中，欧姆龙不负责产品与任何客户端产品所涉及的规格、规范 and 标准保持一致性。请务必考虑本产品对于所应用的系统、机器和设备间的适用性。使用时请注意并遵守本产品的禁止事项。
在没有确认整个系统设计时所考虑到的风险，以及没有确认在设备和系统中该欧姆龙产品的额定使用条件和正确安装条件的情况下，禁止将本产品应用于对人身及财产存在严重危险的情况。
详见产品规格书中保证及免责事项内容。

欧姆龙自动化（中国）统辖集团

欧姆龙（中国）有限公司
欧姆龙亚洲有限公司
欧姆龙贸易（上海）有限公司
欧姆龙贸易（天津）有限公司
欧姆龙（广州）自动化有限公司
欧姆龙（香港）自动化有限公司
上海办事处 021-50372222
苏州办事处 0512-68669277
杭州办事处 0571-87652855
南京办事处 025-83240556
武汉办事处 027-65776566
无锡办事处 0510-82798079
江西办事处 0791-63047111
安徽办事处 0551-7128728
长沙办事处 0731-4585551
温州办事处 0577-89919195
宁波办事处 0574-27882220
广州办事处 020-87557798
厦门办事处 0592-2686709
深圳办事处 0755-26013666
香港办事处 00852-23753827

技术咨询

电子邮件: omron@omron.com.cn
网址: http://www.omron.com
800 免费技术咨询电话: 800-820-4535

北京办事处 010-58693030
天津办事处 022-83192055
山东办事处 0531-82929795
沈阳办事处 024-22815131
亦庄办事处 010-51029800
郑州办事处 0371-5589192
长春办事处 0431-5889105
青岛办事处 0532-5971282
大连办事处 0411-84627473
哈尔滨办事处 0451-85977080
西安办事处 029-87998892
重庆办事处 023-89039481
成都办事处 028-86765345
昆明办事处 0871-3527224
东莞办事处 0769-2423200
以上信息若有变更不另行通知，敬请谅解！

OMRON NX Series

Safety Precautions

Thank you for purchasing an NX-Series Communications Coupler Units.

To ensure the safe usage of the Controller, read and understand this document and the manuals for all other Units in the Controller.

Contact your OMRON representative and make sure that you use the most recent version of each manual.

Keep this document and all relative manuals in a safe place, and make sure that they are delivered to the final user of the Controller.

OMRON Corporation
© OMRON Corporation 2014-2015 All Rights Reserved. 4070368-8C

Trademarks

- ODVA, CIP, CompoNet, DeviceNet, and EtherNet/IP are trademarks of ODVA.
- EtherCAT[®] is registered trademark and patented technology, licensed by Beckhoff Automation GmbH, Germany.

Other company names and product names in this document are the trademarks or registered trademarks of their respective companies.

Safety Precautions

Definition of Precautionary Information

WARNING Indicates a potentially hazardous situation which, if not avoided, could result in death or serious injury. Additionally, there may be severe property damage.

Caution Indicates a potentially hazardous situation which, if not avoided, may result in minor or moderate injury, or property damage.

Safety Precautions

WARNING

Always confirm safety at the destination before you transfer the Unit configuration information, parameters, set values, or other data from the Sysmac Studio or other Support Software. The devices or machines may perform unexpected operation regardless of the operating mode of the CPU Unit.

Provide safety measures in external circuits to ensure safety in the system if an abnormality occurs due to malfunction of the CPU Unit, other Units, or slaves or due to other external factors affecting operation. Not doing so may result in serious accidents due to incorrect operation.

- Emergency stop circuits, interlock circuits, limit circuits, and similar safety measures must be provided in external control circuits.
 - The CPU Unit will turn OFF all outputs from Basic Output Units in the following cases. The remote I/O slaves will operate according to the settings in the slaves.
 - If an error occurs in the power supply
 - If the power supply connection becomes faulty
 - If a CPU watchdog timer error or CPU reset occurs
 - If a major fault level Controller error occurs
- While the CPU Unit is on standby until RUN mode is entered after the power is turned ON, external safety measures must be provided to ensure safe operation of the system in such cases.

- The Controller outputs may remain ON or OFF due to deposition or burning of the output relays or destruction of the output transistors. As a countermeasure for such problems, external safety measures must be provided to ensure safe operation of the system.
- If external power supplies for slaves or other devices are overloaded or short-circuited, the voltage will drop, outputs will turn OFF, and the system may be unable to read inputs. Provide external safety measures in controls with monitoring of external power supply voltage as required so that the system operates safely in such a case.
- You must take fail-safe measures to ensure safety in the event of incorrect, missing, or abnormal signals caused by broken signal lines, momentary power interruptions, or other causes. Not doing so may result in serious accidents due to incorrect operation.

Make sure that the voltages and currents that are input to the Units and slaves are within the specified ranges. Inputting voltages or currents that are outside of the specified ranges may damage the Unit or cause fire.

Do not touch any of the terminals or terminal blocks while the power is being supplied. Doing so may result in electric shock.

Do not attempt to take any Unit apart. In particular, high-voltage parts are present in the Unit that supplies power while power is supplied or immediately after power is turned OFF. Touching any of these parts may result in electric shock. There are also sharp internal parts that may cause injury.

Caution

Execute online editing only after confirming that no adverse effects will be caused by deviations in the timing of I/O. If you perform online editing, the task execution time may exceed the task period, I/O may not be refreshed with external devices, input signals may not be read, and output timing may change.

Precautions for Safe Use

- Do not drop any Unit or subject it to abnormal vibration or shock. Doing so may result in Unit malfunction or burning.
- When transporting any Unit, use the special packing box for it. Also, do not subject the Unit to excessive vibration or shock during transportation.
- Do not pull on the cables or bend the cables beyond their natural limit. Also, do not place heavy objects on top of the cables or other wiring lines. Doing so may break the cables.
- Use the I/O power supply capacity within the range that is given in the Unit specifications.
- When wiring or installing the Units, do not allow metal fragments to enter the Units.
- When you replace a Unit, start operation only after you transfer the settings and variables that are required for operation to the new Unit.
- Before you start operation, always register the NX Units that are connected to the Communications Coupler Unit in the host communications master as the Unit configuration information.
- Check the user program, data, and parameter settings for proper execution before you use them for actual operation.
- Provide suitable power supply capacity according to the reference manuals.
- Use the power supply voltage that is specified in the related manuals.
- Always turn OFF the power supply to the Units before you attempt any of the following.
 - Mounting or removing NX Units, Communications Coupler Units, or the CPU Unit
 - Assembling the Units
 - Setting DIP switches or rotary switches
 - Connecting cables or wiring the system
 - Connecting or disconnecting connectors, or removing or attaching terminal blocks

- Power Supply Unit may continue to supply power to the rest of the Units for a few seconds after the power supply turns OFF. The PWR indicator is lit during this time. Confirm that the PWR indicator is not lit before you perform any of the above.
- Confirm that no adverse effect will occur in the system before you attempt any of the following.
 - Changing the operating mode of the CPU Unit (including changing the setting of the Operating Mode at Startup)
 - Changing the user program or settings
 - Changing set values or present values
 - Forced refreshing
 - Do not exceed the ranges that are given in the specifications for the communications distance and number of connected Units.
 - Mount terminal blocks and connectors only after checking the mounting location carefully. Be sure that the terminal blocks, expansion cables, and other items with locking devices are properly locked into place.
 - When you set the Operating Mode at Startup, confirm that no adverse effect will occur in the system.
 - Do not apply voltages that exceed the rated value to any Input Unit.
 - Double-check all wiring and switch settings to make sure that they are correct before turning ON the power supply.
 - Double-check all wiring before turning ON the power supply. Use the correct wiring parts and tools when you wire the system.
 - If the cold junction sensor is not connected to any Unit that requires one, the correct temperature will not be measured regardless of whether cold junction compensation is enabled or disabled. Make sure that the cold junction sensor does not become disconnected.
 - For any Unit that has a cold junction sensor, the Unit and the connection circuit are calibrated for that specific cold junction sensor. The correct temperature will not be measured if you use the sensor from a different Unit or switch the sensors between two Units. Always use the sensor that is delivered with each Unit.

Precautions for Correct Use

- Do not turn OFF the power supply while data is being transferred.
- Follow the instructions in the manuals to correctly perform installation and wiring.
- Do not operate or store the Controller in the following locations.
 - Burnout may occur, operation may stop or malfunctions may occur.
 - Locations subject to direct sunlight
 - Locations subject to temperatures or humidity outside the range specified in the specifications
 - Locations subject to condensation as the result of severe changes in temperature
 - Locations subject to corrosive or flammable gases
 - Locations subject to dust (especially iron dust) or salts
 - Locations subject to exposure to water, oil, or chemicals
 - Locations subject to shock or vibration
 - Take appropriate and sufficient countermeasures when installing the Controller in the following locations.
 - Locations subject to strong, high-frequency noise
 - Locations subject to static electricity or other forms of noise
 - Locations subject to strong electromagnetic fields
 - Locations subject to possible exposure to radioactivity
 - Locations close to power lines
- Before touching a Unit, be sure to first touch a grounded metallic object in order to discharge any static build-up.
- Use the rated power supply voltage for the Units that supply power. Take appropriate measures to ensure that the specified power with the rated voltage and frequency is supplied in locations

Conformance to EC Directives

- These products comply with the EMC Directives when they are built into a PLC system or Machine Automation Controller. Observe the following precautions and follow the installation methods that are given in Relevant Manuals to ensure compliance with the EMC Directives.
 - The Controller must be installed within a control panel.
 - You must use reinforced insulation or double insulation for the DC power supplies connected to Units that supply DC power.
- Also refer to the relevant manuals.

- This is a Class A product (for industrial environments). In a residential environment, it may cause radio interference, in which case the user may be required to take appropriate measures.
- A 급 기기(업무용 방송통신기자재) 이 기기는 업무용(A 급) 전자파적합 기기로서 판매자 또는 사용자는 이 점을 주의하시기 바라며, 가정외의 지역에서 사용하는 것을 목적으로 합니다.

Relevant Manuals		
	Model numbers and manual name	Cat. No.
NX-EIC202	Machine Automation Controller NX-series EtherNet/IP™ Coupler Units User's Manual	W536
NX-ID/IA/OD/OC/MD□□□□	Machine Automation Controller NX-series Digital I/O Units User's Manual	W521
NX-AD/DA/TS□□□□	Machine Automation Controller NX-series Analog I/O Units User's Manual	W522
NX-PD/PF/PC□□□□ NX-TB□□□□	Machine Automation Controller NX-series System Units User's Manual	W523
NX-EC□□□□ NX-EC5□□□ NX-PG□□□□	Machine Automation Controller NX-series Position Interface Units User's Manual	W524
NX Series	Machine Automation Controller NX-series Data Reference Manual	W525
SYSMAC-SE2□□□□	Sysmac Studio Version 1 Operation Manual	W504
CS1W-EIP21 CJ1W-EIP21 CJ2H-CPU6□-EIP CJ2M-CPU3□□	Sysmac CS and CJ Series EtherNet/IP Units Operation Manual	W465
NX-SL□□□□ NX-SI□□□□ NX-SO□□□□	Machine Automation Controller NX-series Safety Control Unit Users Manual	Z930

Suitability for Use

Omron Companies shall not be responsible for conformity with any standards, codes or regulations which apply to the combination of the Product in the Buyer's application or use of the Product. At Buyer's request, Omron will provide applicable third party certification documents (identifying ratings and limitations of use which apply to the Product. This information by itself is not sufficient for a complete determination of the suitability of the Product in combination with the end product, machine, system, or other application or use. Buyer shall be solely responsible for determining appropriateness of the particular Product with respect to Buyer's application, product or system, Buyer shall take application responsibility in all cases.

NEVER USE THE PRODUCT FOR AN APPLICATION INVOLVING SERIOUS RISK TO LIFE OR PROPERTY WITHOUT ENSURING THAT THE SYSTEM AS A WHOLE HAS BEEN DESIGNED TO ADDRESS THE RISKS, AND THAT THE OMRON PRODUCT(S) IS PROPERLY RATED AND INSTALLED FOR THE INTENDED USE WITHIN THE OVERALL EQUIPMENT OR SYSTEM.

OMRON Corporation Industrial Automation Company
Tokyo, JAPAN
Contact: www.ia.omron.com

Regional Headquarters
OMRON EUROPE B.V. Wegalaan 67-69, 2132 JD Hoofddorp The Netherlands
Tel: (31)2356-81-300 Fax: (31)2356-81-388
OMRON ELECTRONICS LLC 2895 Greenspoint Parkway, Suite 200 Hoffman Estates, IL 60169 U.S.A.
Tel: (1) 847-843-7900 Fax: (1) 847-843-7787

OMRON ASIA PACIFIC PTE. LTD. OMRON (CHINA) CO., LTD.
 No. 438A Alexandra Road, # 05-05/08 (Lobby 2), Alexandra Technopark, Singapore 119967
 Tel: (65) 6835-3011 Fax: (65) 6835-2711
 Room 2211, Bank of China Tower, 200 Yin Cheng Zhong Road, Pu Dong New Area, Shanghai, 200120, China
 Tel: (86) 21-5037-2222 Fax: (86) 21-5037-2200

Note: Specifications subject to change without notice.

OMRON NX シリーズ

安全上のご注意

このたびは当社の NX シリーズ 通信カプラユニットをお買い求めいただきまして誠にありがとうございました。安全にご使用いただくために、本紙と使用するユニットの参照マニュアルを必ずお読みください。

参照マニュアルは、当社の最寄りの営業所に連絡し、最新のものをご使用ください。

また本紙と参照マニュアルは、大切に保管していただくとともに、最終ユーザーまでお届けくださいますようお願いいたします。

オムロン株式会社
© OMRON Corporation 2014-2015 All Rights Reserved. 4070368-8C

商標

- ODVA, CIP, CompoNet, DeviceNet, EtherNet/IP は ODVA の商標です。
- EtherCAT[®] は、ドイツ Beckhoff Automation GmbH によりライセンスされた特許取得済み技術であり登録商標です。その他、本紙に掲載しているシステム名および製品名は、それぞれ各社の商標または、登録商標です。

安全上のご注意

警告 / 注意表示の意味

警告 正しい取扱いをしなければ、この危険のために、軽傷・中程度の傷害を負ったり、万の場場合には重傷や死亡に至る恐れがあります。また、同様に重大な物的損害をもたらす恐れがあります。

注意 正しい取扱いをしなければ、この危険のために、時に軽傷・中程度の傷害を負ったり、あるいは物的損害を受ける恐れがあります。

警告表示

警告

Sysmac Studio 等のツールからユニット構成情報、パラメータ等の各種データ、設定値を転送するとき、転送先の安全を確認してから行ってください。コントローラの動作モードにかかわらず、装置や機械が想定外の動作をする恐れがあります。

CPU ユニットおよび各ユニット/スレーブの故障や外部要因による異常が発生した場合でも、システム全体が安全側に働くように、外部で安全対策を施してください。異常動作により、重大な事故につながる恐れがあります。

- 非常停止回路、インタロック回路、リミット回路など、安全保護に関する回路は、必ず外部の制御回路で構成してください。
- CPU ユニットは、以下のときに、基本出力ユニットの全出力を OFF にし、リモート I/O 上のスレーブはスレーブ側の動作に従います。
 - 電源部異常が発生したとき
 - 電源接続不正が発生したとき
 - CPU 異常 (WDT 異常) または CPU リセットが発生したとき
 - 全停止フォールトレベルのコントローラ異常が発生したとき

電源投入から運転モードに移行するまでの起動中これらのとき、システムが安全側に動作するよう、外部で対策を施してください。

- 出力リレーの溶着や焼損、出力トランジスタの破壊などによって、出力が ON または OFF になったままになることがあります。このとき、システムが安全側に動作するように、外部で対策を施してください。スレーブ機器などの外部電源が過負荷状態になる、または短絡状態になると、電圧が低下し、出力が OFF になったり、入力を取り込めなくなったりする場合があります。このときシステムが安全側に動作するよう、必要によっては外部電源電圧を監視し、制御に取り込むなど外部で対策を施してください。
- 信号線の断線、瞬時停電による異常信号などに備えて、ご使用側でフェールセーフ対策を施してください。異常動作により重大な事故につながる恐れがあります。

ユニット/スレーブに入力する電圧 / 電流は定められた範囲で入力してください。範囲外の電圧 / 電流を使用すると故障や火災の原因となります。

通電中は、端子部に触れないでください。感電の恐れがあります。

本製品を分解しないでください。特に通電中や通電 OFF 直後は、電源供給するユニット内部には昇圧による電圧の高い部分があり、感電の恐れがあります。また、内部の鋭利な部品だけがをす可能性があります。

注意

入出力タイミングが乱れても影響のないことを確認してからオンラインエディットをしてください。オンラインエディットすると、タスク実行時間がタスク周期を上回り、外部との入出力が更新されず、入力信号を読み取れなかったり、出力タイミングが乱れたりする場合があります。

安全上の要点

- 製品を落下させたり、異常な振動・衝撃を与えたりしないでください。製品の故障、焼損の可能性があります。
- ユニットを輸送するときは、専用の梱包箱を使用してください。また、輸送中に過度な振動や衝撃が加わらないように注意してください。
- ケーブルを無理に曲げたり、引っ張ったりしないでください。また、ケーブルのコード部に重いものを載せしないでください。断線する恐れがあります。
- 使用される I/O 電源の容量は、ユニットの仕様範囲内でご使用ください。
- 配線および施工の際は、ユニット内部に金属屑が入らないように注意してください。
- ユニットを交換するときは運転再開に必要な設定データ、変数を交換したユニットに転送してから、運転を開始してください。
- 運転時には、必ず、通信カプラユニットに接続した NX ユニットをユニット構成情報として、上位の通信マスタに登録してください。
- 作成したユーザプログラムおよび各種データ・設定値は、十分な動作確認を行った後、本運転に移行してください。
- 参照マニュアルに基づき、適切な電源容量で使用してください。
- 参照マニュアルで指定した電源電圧で使用してください。
- 次のことを行うときは、ユニットの外部供給電源を OFF にしてください。
 - NX ユニットや通信カプラユニット / CPU ユニットを看脱するとき
 - 装置を組み立てるとき
 - ディップスイッチやロータリスイッチを設定するとき
 - ケーブルを接続、配線するとき

端子台やコネクタを取り付けたり、取り外したりするとき電源切断後、電源供給するユニットは数秒間ユニットに対して給電を継続する場合があります。この間 PWR LED が点灯します。上記の操作は、PWR LED の消灯を確認してから行ってください。

- 次の操作は設備に影響がないかを確認したうえで行ってください。CPU ユニットの動作モードの変更 (電源投入時の動作モード設定を含む) ユーザプログラム、設定の変更 設定値 / 現在値の変更 強制リフレッシュ
- 通信距離および接続台数は仕様の範囲内でご使用ください。
- 端子台、コネクタは装着位置を十分確認してから、装着してください。端子台、増設ケーブルなどロック機構のあるものは、必ずロックしていることを確認してからご使用ください。
- 電源投入時の動作モードに関しては設備に影響が無いことを確認した上で、設定してください。
- 入力ユニットには、定格値を超える電圧を印加しないでください。
- 配線やスイッチの設定に間違いがないかを十分確認してから通電してください。
- 配線を十分に確認してから通電してください。配線をする際は、正しい配線部品、配線工具をるご使用ください。
- 冷接点センサを持つユニットで冷接点センサが外れている場合、冷接点補償有効・無効に関わらず、正しい温度が測定できません。したがって、冷接点センサを取り外さないで使用してください。
- 冷接点センサを持つユニットは、付属されている冷接点センサでユニットおよび接続回路が個別に校正されていますので、他のユニットのセンサを使用したり、各ユニットの 2 個のセンサを取り替える正しい温度が測定できなくなります。納入時に付いていたセンサをそのまま使用してください。

使用上の注意

- データの転送中はユニットの電源を OFF にしないでください。
- マニュアルに示す通り、正しく設置や配線をしてください。
- 次のような環境に設置や保管をしないでください。焼損、運転停止、誤動作する可能性があります。
 - 日光が直接当たる場所
 - 周囲温度や相対湿度が仕様の範囲を超える場所
 - 温度変化が急激で結露するよう場所
 - 腐食性ガス、可燃性ガスのある場所
 - 灰、ほこり、塩分、鉄粉が多い場所
 - 水、油、薬品などの飛沫 (ひまつ) がかかる場所
 - 本体に直接振動や衝撃が伝わる場所
- 次のような場所で使用する際は、遮蔽対策を十分に行ってください。
 - 強い高周波ノイズを発生する機器の近く
 - 静電気などによるノイズが発生する場所
 - 強い電界や磁界が生じる場所
 - 放射線を被曝する恐れのある場所
 - 電源線や動力線が近くを通る場所
- 接地された金属に触るなどして人体の静電気を放電させてから、ユニットに触ってください。
- 電源供給するユニットは定格電源電圧で使用してください。特に電源事情が悪い場所では、定格の電圧や周波数の電源が供給できるようにしてご使用ください。

EC 指令への適合について

- この商品は、PLC システムやマシンオートメーションコントローラに組み込まれた状態で、EMC 指令に適合しています。EMC 指令に適合するためには、以下の点に注意するとともに、参照マニュアルに記載した設置方法を守るようにしてください。
 - 本製品は、必ず制御盤内に設置してください。
 - DC 電源を供給するユニットに接続する DC 電源は、強化絶縁、または二重絶縁されたものを使用してください。
- 該当するマニュアルも参照してください。
- この商品は「class A」(工業環境商品)です。住宅環境でご利用されること、電波妨害の原因となる可能性があります。その場合には電波妨害に対する適切な対策が必要となります。

参照マニュアル		
	形式 / マニュアル名称	Man. No.
形 NX-EIC202	マシンオートメーションコントローラ NXシリーズ EtherNet/IP™カプラ ユニット ユーザーズマニュアル	SBCD-365
形 NX-ID/IA/OD/OC/MD□□□□	マシンオートメーションコントローラ NXシリーズ デジタル I/O ユニット ユーザーズマニュアル	SBCA-407
形 NX-AD/DA/TS□□□□	マシンオートメーションコントローラ NXシリーズ アナログ I/O ユニット ユーザーズマニュアル	SBCA-408
形 NX-PD/PF/PC□□□□ 形 NX-TB□□□□	マシンオートメーションコントローラ NXシリーズ システムユニット ユーザーズマニュアル	SBCA-409
形 NX-EC□□□□ 形 NX-EC5□□□ 形 NX-PG□□□□	マシンオートメーションコントローラ NXシリーズ 位置インタフェースユニット ユーザーズマニュアル	SBC E-374
NX シリーズ	マシンオートメーションコントローラ NXシリーズ データリファレンスマニュアル	SBCA-410
形 SYSMAC-SE2□□□□	Sysmac Studio Version 1 オペレーションマニュアル	SBCA-362
形 CS1W-EIP21 形 CJ1W-EIP21 形 CJ2H-CPU6□-EIP 形 CJ2M-CPU3□□	プログラマブルコントローラ SYSMAC CS(CJ)シリーズEtherNet/IPユニット ユーザーズマニュアル	SBCA-362
形 NX-SL□□□□ 形 NX-SI□□□□ 形 NX-SO□□□□	マシンオートメーションコントローラ NXシリーズ セーフティコントロールユニット ユーザーズマニュアル	SGFM-710

ご承諾事項

当社は、一般工業製品向けの汎用品として設計製造されています。従いまして、次に掲げる用途での使用を意図しておらず、お客様が当社商品をこれらの用途に使用される際には、当社は当社商品に対して一切保証をいたしません。ただし、次に掲げる用途であっても当社の意図した特別な商品用途の場合や特別の合意がある場合は除きます。

- 高い安全性が必要とされる用途 (例: 原子力制御設備、燃焼設備、航空・宇宙設備、鉄道設備、昇降設備、娯楽設備、医用機器、安全装置、その他生命・身体に危険が及ぶ用途)
- 高い信頼性が必要な用途 (例: 水・水・電気等の供給システム、24 時間連続運転システム、決済システムほか権利・財産を取扱う用途など)
- 厳しい条件または環境での用途 (例: 屋外に設置する設備、化学的汚染を被る設備、電磁的妨害を被る設備、振動・衝撃を受ける設備など)
- カタログ等に記載のない条件や環境での用途

* (a) から (d) に記載されている他、本カタログ等記載の商品は自動車 (二輪車含む、以下同様) 向けではありません。自動車を搭載する用途には利用しないで下さい。自動車搭載用商品については当社営業担当者にご相談ください。* 上記は適合用途の条件の一部です。* 当社のベスト、総合カタログ、データシート等最新版のカタログ、マニュアルに記載の保証・免責事項の内容をよく読んでご使用ください。

オムロン株式会社
インダストリアルオートメーションビジネスカンパニー

●製品に関するお問い合わせ先
お客様相談室 www.ia.omron.com

フリーダイヤル 0120-919-066
携帯電話・PHS・IP 電話などをご利用いただけませんので、下記の電話番号へおかけください。
電話 055-982-5015 (通話料がかかります)
■営業時間: 8:00~21:00 ■営業日: 365日

●FAXやWebページでもお問い合わせいただけます。
FAX 055-982-5051 / www.fa.omron.co.jp

●その他のお問い合わせ
納期・価格・サンプル・仕様書は貴社のお取引先、または貴社担当オムロン販売員にご相談ください。
オムロン制御機器販売店やオムロン販売拠点は、Webページでご案内しています。

お断りなく仕様などを変更することがありますのでご了承ください。