

OMRON

形 V680-HA63

IDシステム 中継アンプ

取扱説明書

このたびは、本製品をお買い上げいただきまして、まことにありがとうございます。ご使用に際しては、次の内容をお守りください。



オムロン株式会社

© OMRON Corporation 2006 All Rights Reserved.

使用上の注意

製品の動作不良、誤動作、または性能・機器への悪影響を防ぐため、以下のことを守ってください。

- 使用場所について
■ 取付けについて
■ 保管について
■ 清掃について

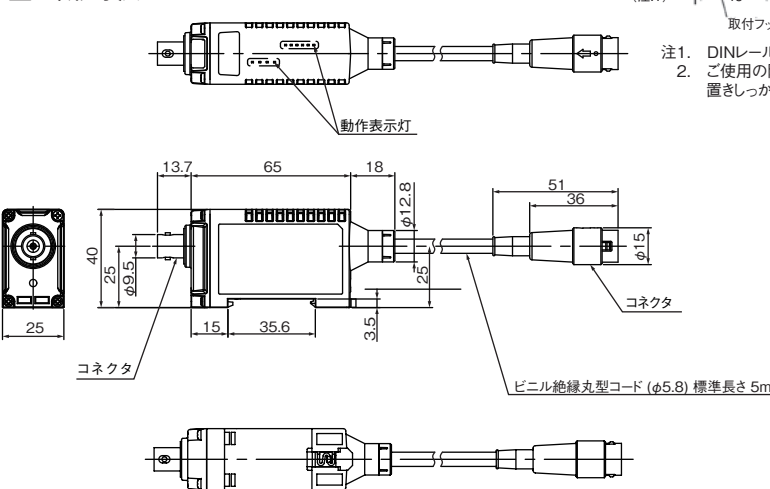
■ 保管について

- 次のような場所では保管しないでください。
・腐食性ガス、塵埃、金属粉、塩分がある場所
・保存周囲温度が仕様で定められている範囲を超える場所
・温度が急激に変化する場所(結露する場所)
・保存周囲湿度が仕様で定められている範囲を超える場所
・水・油・化学薬品の飛沫がある場所

■ 清掃について

- シンナー類は、樹脂部材やケースを溶かしますので使用しないでください。

■ 外形寸法



■ 仕様

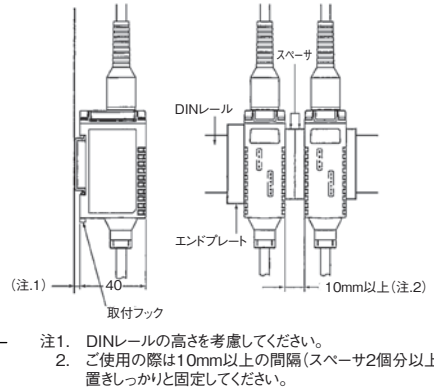
● 一般仕様

Table with 2 columns: 項目 (Item), 仕様 (Specification). Includes 発振周波数 (13.56MHz), 使用周囲温度 (-10~+55°C), 使用周囲湿度 (35~85%RH).

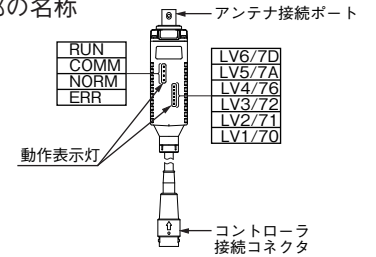
● 性能仕様

Table with 2 columns: 項目 (Item), 仕様 (Specification). Includes 絶縁抵抗, 耐電圧, 耐振動, 耐衝撃, 保護構造, 質量, ケーブル長, 放射磁界強度.

■ DINレール取付け



■ 各部の名称



- アンテナ接続ポート
形V680シリーズのアンテナを接続します。
● コントローラ接続コネクタ
形V680シリーズのコントローラに接続します。
● 動作表示灯

Table with 3 columns: 名称 (Name), 色 (Color), 意味 (Meaning). Lists indicator lights for RUN, COMM, NORM, ERR and LV6/7D, LV5/7A, LV4/76, LV3/72, LV2/71, LV1/70.

ご承諾事項

当社商品は、一般工業製品向けの汎用品として設計製造されています。従いまして、次に掲げる用途での使用を意図しておらず、お客様が当社商品をこれらの用途に使用される際には、当社は当社商品に対して一切保証をいたしません。

* (a)から(d)に記載されている他、本カタログ等記載の商品は自動車(二輪車含む、以下同じ)向けではありません。自動車に搭載する用途には利用しないで下さい。自動車搭載用商品については当社営業担当者にご相談ください。

オムロン株式会社 インダストリアルオートメーションビジネスカンパニー

Product information box containing contact details: 製品に関するお問い合わせ先, お客様相談室, 電話番号 0120-919-066, 営業時間, FAX, and other contact info.

OMRON

Model **V680-HA63**

ID System Amplifier

INSTRUCTION SHEET

TRACEABILITY INFORMATION:

Importer in EU:
Omron Europe B.V.
Wegalaan 67-69
2132 JD Hoofddorp,
The Netherlands

Manufacturer:
Omron Corporation,
Shiokoji Horikawa,
Shimogyo-ku, Kyoto 600-8530 JAPAN



© OMRON Corporation 2006 All Rights Reserved.

Safety Precautions

Definition of Precautionary Information



Indicates a potentially hazardous situation which, if not avoided, could result in death or serious injury. Additionally, there may be severe property damage.

Warning



This product is not designed for use in directly or indirectly detecting human bodies in safety-related applications. Do not use the product as a sensing device for human protection.



Precautions for Safe Use

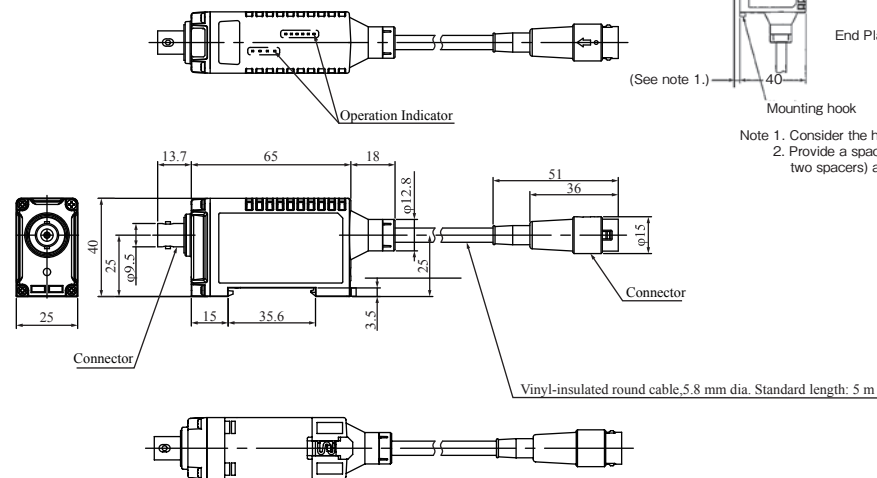
Observe the following precautions to ensure safe usage of the product.

- Do not use the product in environments subject to inflammable, explosive, or corrosive gases.
- Do not disassemble, repair, or modify the product in any way.
- Always lock the lock mechanisms on any devices provided with them, such as cable connector lock screws.
- Do not allow water to enter or insert wire in the gaps of the case. Fire or electric shock may result.
- Always turn OFF the power supply to the ID Controller before attaching or removing the Amplifier section.
- If you suspect that anything is wrong with the product at any time, stop using it immediately, turn OFF the power supply, and consult with your OMRON representative.
- When disposing of the product, dispose of it as industrial waste.
- Be sure to follow any other warnings, cautions, and notices given in this manual.

Precautions for Correct Use

- Installation Location**
 - Do not install the product in the following locations:
 - Locations subject to corrosive gases, dust, dirt, metal powder, or salt
 - Locations where the specified ambient operating temperature range is exceeded
 - Locations subject to extreme temperature changes that may result in condensation
 - Locations where the specified ambient operating humidity range is exceeded
 - Locations subject to contact with water, oil, or chemicals
- Installation**
 - The product uses the 13.56MHz frequency band to communicate with Tags. Some devices, such as some motors, inverters, and switch mode power supplies, generate electromagnetic waves (i.e., noise) that can affect communications with the Tags. If any of these devices are nearby, communications with Tags may be affected or Tags may be destroyed. If the product is to be used near such devices, check the effects on communications before using the product.
 - To minimize the general influence of noise, follow the following precautions:
 - Ground the earth terminal of this product and any metallic material located around the product to 100 Ω or less.
 - Keep product wiring away from high voltage or heavy current.
 - The product does not provide a water-proof structure. Do not use it where mists are present.
 - Do not use chemicals that will affect product materials.
- Storage**
 - Do not store the product in the following locations.
 - Locations subject to corrosive gases, dust, dirt, metal powder, or salt
 - Locations where the specified ambient storage temperature range is exceeded
 - Locations subject to extreme temperature changes that may result in condensation
 - Locations where the specified ambient storage humidity range is exceeded
 - Locations subject to contact with water, oil, or chemical
 - Do not use thinners for cleaning. Resin materials and the case coating will be dissolved by thinners, benzenes, acetones and kerosenes.

Dimension



Specifications

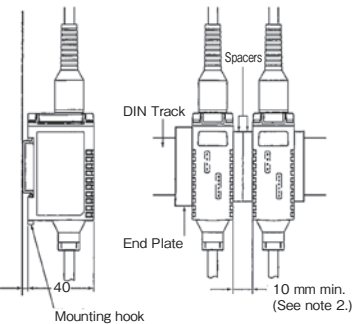
General Specifications

Item	Specifications
Oscillating frequency	13.56MHz
Ambient operating temperature	-10 to +55°C (no freezing)
Ambient operating humidity	35 to 85%RH(no condensation)

Performance Specifications

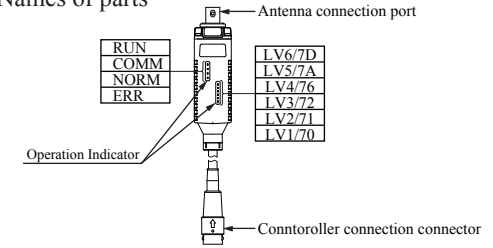
Item	Specifications
Insulation resistance	20 MΩ min. between cable terminal and casing (with 500V DC megger)
Dielectric strength	By applying 1000VAC, 50/60 Hz power for 1minute between cable terminal and casing
Vibration resistance	Durable at 10 to 500Hz 100m/s ² maximum acceleration Double amplitude less than 1.5mm 10 sweeps for 11 minutes each in 3 directions
Shock resistance	Durable at 500m/s ² , 3 times In 6 directions
Enclosure rating	IEC60529 IP40 (When V680-HS63-R or V680-HS52-R is connected) IEC60529 IP67/IP65 (When V680-HS63-W or V680-HS52-W is connected)
Weight	About 850g(At 10m cable)
Cable length	Standard length 5m, 10m
Radiated magnetic field strength	maximum 20 dBμA/m at 10 meters

Mounting to DIN Track



- Note 1. Consider the height of the DIN Track.
Note 2. Provide a space of at least 10 mm (i.e., at least two spacers) and attach them securely.

Names of parts



- Antenna connection port
- Connect the Antenna connection port to a V680-series Antenna.
- Controller connection connector
- It is connected with a V680-series Controller.
- Operation Indicator

Name	Color	Meaning
RUN	Green	When the power is turned ON
COMM	Yellow	A command has been received from the host device.
NORM	Green	Communications with the Tag have completed normally.
ERR	Red	A communications error with the Tag has occurred.
LV6/7D	Yellow	Maintenance mode :It lights in the distance/speed level 6. RUN mode :When Write-protection error, it lights.
LV5/7A	Yellow	Maintenance mode :It lights by distance/speed level 5 or more. RUN mode :When Address error, it lights.
LV4/76	Yellow	Maintenance mode :It lights by distance/speed level 4 or more. RUN mode :When Memory error, it lights.
LV3/72	Yellow	Maintenance mode :It lights by distance/speed level 3 or more. RUN mode :When Tag non-existent error, it lights.
LV2/71	Yellow	Maintenance mode :It lights by distance/speed level 2 or more. RUN mode :When Mismatch error, it lights.
LV1/70	Yellow	Maintenance mode :It lights by distance/speed level 1 or more. RUN mode :When Tag communication error, it lights.

Suitability for Use

Omron Companies shall not be responsible for conformity with any standards, codes or regulations which apply to the combination of the Product in the Buyer's application or use of the Product. At Buyer's request, Omron will provide applicable third party certification documents identifying ratings and limitations of use which apply to the Product. This information by itself is not sufficient for a complete determination of the suitability of the Product in combination with the end product, machine, system, or other application or use. Buyer shall be solely responsible for determining appropriateness of the particular Product with respect to Buyer's application, product or system. Buyer shall take application responsibility in all cases.

NEVER USE THE PRODUCT FOR AN APPLICATION INVOLVING SERIOUS RISK TO LIFE OR PROPERTY WITHOUT ENSURING THAT THE SYSTEM AS A WHOLE HAS BEEN DESIGNED TO ADDRESS THE RISKS, AND THAT THE OMRON PRODUCT(S) IS PROPERLY RATED AND INSTALLED FOR THE INTENDED USE WITHIN THE OVERALL EQUIPMENT OR SYSTEM. See also Product catalog for Warranty and Limitation of Liability.

OMRON Corporation Industrial Automation Company
Tokyo, JAPAN Contact: www.ia.omron.com

Regional Headquarters

■ **OMRON EUROPE B.V.**
Sensor Business Unit
Carl-Benz-Str. 4, D-71154 Nutringen, Germany
Tel: (49) 7032-811-0/Fax: (49) 7032-811-199

■ **OMRON ELECTRONICS LLC**
2895 Greenspoint Parkway, Suite 200
Hoffman Estates, IL 60169 U.S.A.
Tel: (1) 847-843-7900/Fax: (1) 847-843-7787

■ **OMRON ASIA PACIFIC PTE. LTD.**
No. 438A/Alexandra Road # 05-05/08 (Lobby 2),
Alexandra Technopark,
Singapore 119967
Tel: (65) 6835-3011/Fax: (65) 6835-2711

■ **OMRON (CHINA) CO., LTD.**
Room 2211, Bank of China Tower,
200 Yin Cheng Zhong Road,
PuDong New Area, Shanghai, 200120, China
Tel: (86) 21-5037-2222/Fax: (86) 21-5037-2200