

OMRON

Machine Automation Controller NX-series **IO-Link Master Unit**

User's Manual

NX-ILM□□□

IO-Link Master Unit



SYSTMAC
always in control

W567-E1-08

NOTE

All rights reserved. No part of this publication may be reproduced, stored in a retrieval system, or transmitted, in any form, or by any means, mechanical, electronic, photocopying, recording, or otherwise, without the prior written permission of OMRON.

No patent liability is assumed with respect to the use of the information contained herein. Moreover, because OMRON is constantly striving to improve its high-quality products, the information contained in this manual is subject to change without notice. Every precaution has been taken in the preparation of this manual. Nevertheless, OMRON assumes no responsibility for errors or omissions. Neither is any liability assumed for damages resulting from the use of the information contained in this publication.

Trademarks

- Sysmac and SYSMAC are trademarks or registered trademarks of OMRON Corporation in Japan and other countries for OMRON factory automation products.
- Microsoft, Windows, Excel, Visual Basic, and Microsoft Edge are either registered trademarks or trademarks of Microsoft Corporation in the United States and other countries.
- EtherCAT® is registered trademark and patented technology, licensed by Beckhoff Automation GmbH, Germany.
- Safety over EtherCAT® is registered trademark and patented technology, licensed by Beckhoff Automation GmbH, Germany.
- ODVA, CIP, CompoNet, DeviceNet, and EtherNet/IP are trademarks of ODVA.
- The SD and SDHC logos are trademarks of SD-3C, LLC.  

Other company names and product names in this document are the trademarks or registered trademarks of their respective companies.

Copyrights

Microsoft product screen shots used with permission from Microsoft.

Introduction

Thank you for purchasing an NX-series IO-Link Master Unit.

This manual contains information that is necessary to use the NX-series IO-Link Master Unit. Please read this manual and make sure you understand the functionality and performance of the NX-series IO-Link Master Unit before you attempt to use it in a control system.

Keep this manual in a safe place where it will be available for reference during operation.

Intended Audience

This manual is intended for the following personnel, who must also have knowledge of electrical systems (an electrical engineer or the equivalent).

- Personnel in charge of introducing FA systems.
- Personnel in charge of designing FA systems.
- Personnel in charge of installing and maintaining FA systems.
- Personnel in charge of managing FA systems and facilities.

For programming, this manual is intended for personnel who understand the programming language specifications in international standard IEC 61131-3 or Japanese standard JIS B 3503.

Applicable Products

This manual covers the following product.

- NX-series IO-Link Master Unit
NX-ILM□□□

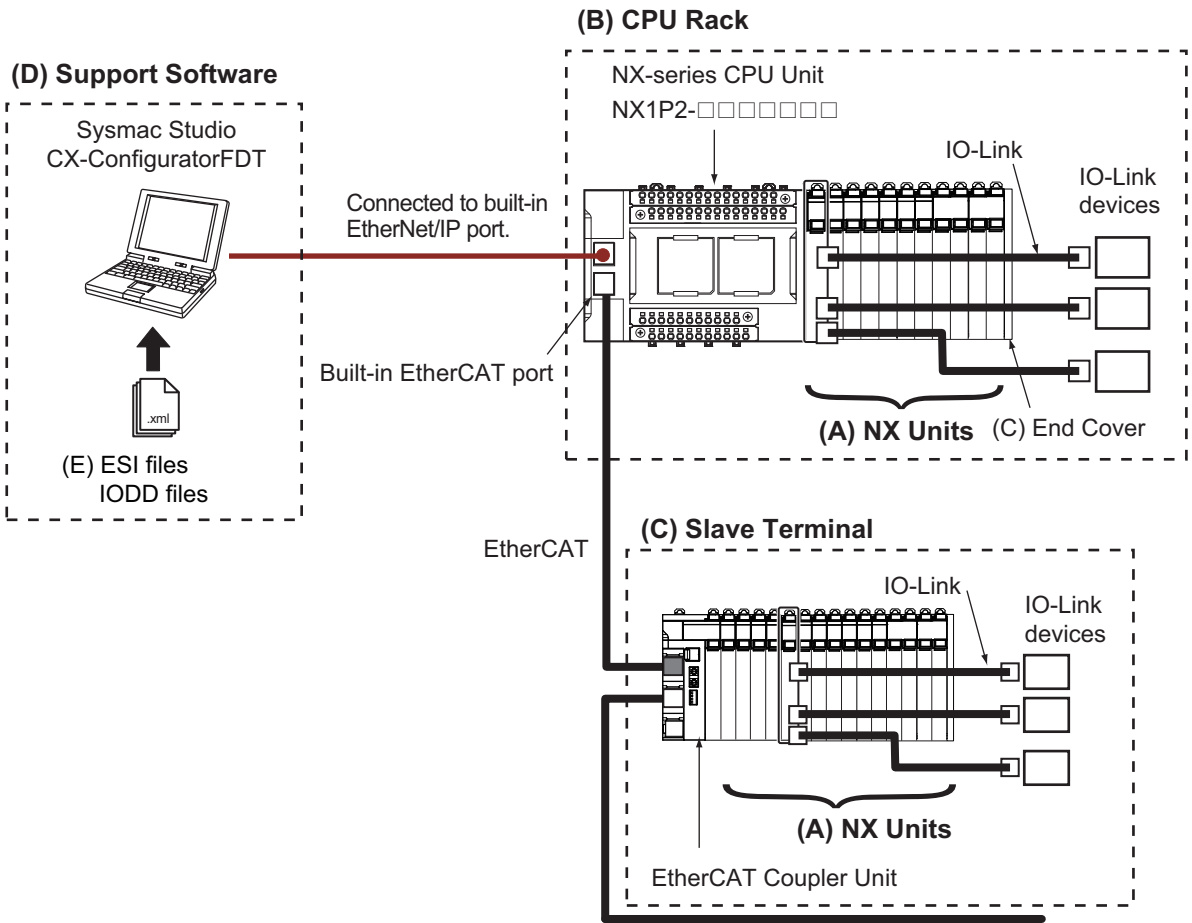
Relevant Manuals

To use the IO Link Master Unit, you must refer to the manuals for all related products.

Read all of the manuals that are relevant to your system configuration and application before you use the NX-series IO Link Master Unit.

	(A) NX Units		System configuration					(D) Support Software		All Units			
			(B) CPU Units			(C) Slave Terminals							
	NX-series IO-Link Master Unit User's Manual	User's manuals for other NX Units	NX-series NX102 CPU Unit Hardware User's Manual	NX-series NX1P2 CPU Unit Hardware User's Manual	NX-series CPU Unit Software User's Manual	NX-series EtherCAT Coupler Unit User's Manual	NX-series EtherNet/IP Coupler Unit User's Manual	Sysmac Studio Version 1 Operation Manual	CPU Unit / Industrial PC Instructions Reference Manual	IO-Link System User's Manual	NX-series System Units User's Manual	NX-series Data Reference Manual	
Learning about NX Units													
Specifications	<input type="radio"/>	<input type="radio"/>											
Functionality	<input type="radio"/>	<input type="radio"/>											
Application procedures	<input type="radio"/>	<input type="radio"/>											
IO-Link specifications and functions										<input type="radio"/>			
Setting and monitoring the IO-Link devices										<input type="radio"/>			
Instructions for accessing the IO-Link device objects									<input type="radio"/>				
Wiring I/O power supply terminals and power supply terminals	<input type="radio"/>	<input type="radio"/>									<input type="radio"/>		
Replacing the IO-Link Master Unit or IO-Link devices										<input type="radio"/>			
IO-Link Master Unit objects	<input type="radio"/>									<input type="radio"/>			
Learning about CPU Racks of NX-series CPU Units													
Specifications			<input type="radio"/>	<input type="radio"/>	<input type="radio"/>								
System configuration			<input type="radio"/>	<input type="radio"/>	<input type="radio"/>								
Power supply system			<input type="radio"/>	<input type="radio"/>							<input type="radio"/>		
Application procedures			<input type="radio"/>	<input type="radio"/>	<input type="radio"/>								
Installation procedures			<input type="radio"/>	<input type="radio"/>									
Support Software connection procedures					<input type="radio"/>								
Performance calculations					<input type="radio"/>							<input type="radio"/>	
Learning about Slave Terminals													
Specifications						<input type="radio"/>	<input type="radio"/>						
System configuration						<input type="radio"/>	<input type="radio"/>						

	(A) NX Units		System configuration					(D) Support Software		All Units			
			(B) CPU Units		(C) Slave Terminals								
	NX-series IO-Link Master Unit User's Manual	User's manuals for other NX Units	NX-series NX102 CPU Unit Hardware User's Manual	NX-series NX1P2 CPU Unit Hardware User's Manual	NJ/NX-series CPU Unit Software User's Manual	NX-series EtherCAT Coupler Unit User's Manual	NX-series EtherNet/IP Coupler Unit User's Manual	Symac Studio Version 1 Operation Manual	NX-IO Configurator Operation Manual	CPU Unit / Industrial PC Instructions Reference Manual	IO-Link System User's Manual	NX-series System Units User's Manual	NX-series Data Reference Manual
Power supply system						<input type="radio"/>	<input type="radio"/>					<input type="radio"/>	
Application procedures						<input type="radio"/>	<input type="radio"/>						
Installation procedures						<input type="radio"/>	<input type="radio"/>						
Support Software connection procedures						<input type="radio"/>	<input type="radio"/>						
Performance calculations						<input type="radio"/>	<input type="radio"/>						<input type="radio"/>
Making settings								<input type="radio"/>	<input type="radio"/>				
Troubleshooting													
Troubleshooting CPU Racks or Slave Terminals			<input type="radio"/>	<input type="radio"/>	<input type="radio"/>	<input type="radio"/>	<input type="radio"/>	<input type="radio"/>	<input type="radio"/>				
Troubleshooting NX Units	<input type="radio"/>	<input type="radio"/>											
Performing NX Unit maintenance	<input type="radio"/>	<input type="radio"/>											
Referencing data lists for NX Unit power consumptions, weights, etc.													<input type="radio"/>



Manual Structure

Page Structure

The following page structure is used in this manual.

The diagram illustrates the structure of a manual page, showing various elements and their corresponding labels:

- Level 1 heading:** Points to the top section header "4 Installation and Wiring".
- Level 2 heading:** Points to the sub-section header "4-3 Mounting Units".
- Level 3 heading:** Points to the sub-sub-section header "4-3-1 Connecting Controller Components".
- Page tab:** Points to the number "4" in a dark box on the right side of the page.
- Special information:** Points to a section titled "Precautions for Correct Use" which includes a warning icon and text about locking sliders.
- Manual name:** Points to the footer text "NJ-series CPU Unit Hardware User's Manual (W500)".
- Page number:** Points to the footer number "4-9".
- Procedure steps:** Points to numbered steps "1" and "2" describing how to join units and lock sliders.
- Diagram labels:** Includes "Hook", "Connector", "Hook holes", "Release", "Lock", and "Slider" pointing to specific parts of the unit assembly.

This illustration is provided only as a sample. It may not literally appear in this manual.

Special Information

Special information in this manual is classified as follows:



Precautions for Safe Use

Precautions on what to do and what not to do to ensure safe usage of the product.



Precautions for Correct Use

Precautions on what to do and what not to do to ensure proper operation and performance.



Additional Information

Additional information to read as required.

This information is provided to increase understanding or make operation easier.

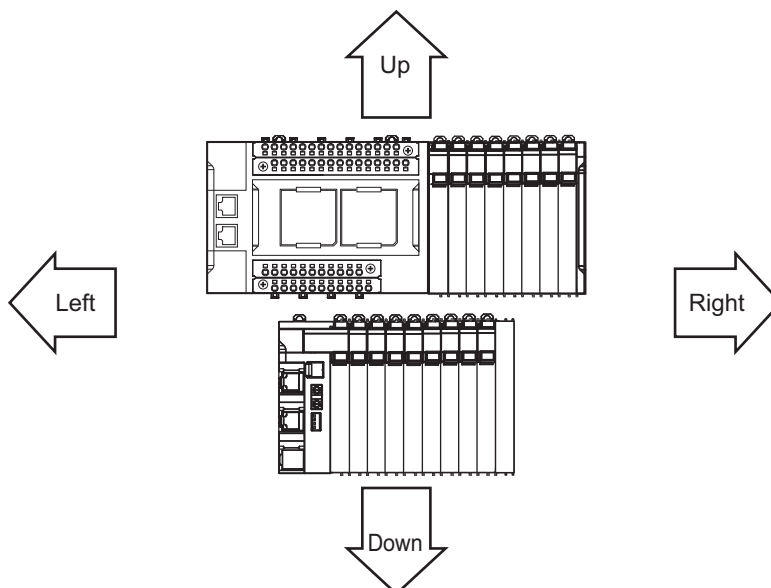


Version Information

Information on differences in specifications and functionality for Controller with different unit versions and for different versions of the Sysmac Studio is given.

Precaution on Terminology

- In this manual, "download" refers to transferring data from the Support Software to a physical device and "upload" refers to transferring data from a physical device to the Support Software.
- In this manual, the directions in relation to the Units are given in the following figure, which shows upright installation.



- This user's manual refers to "NY-series IPC Machine Controller Industrial Panel PCs and Industrial Box PCs" as simply "Industrial PCs" or as "NY-series Industrial PCs".

- This user's manual refers to the "built-in EtherCAT port on an NJ/NX-series Controller" or "built-in EtherCAT port on an NY-series Industrial PC" as simply a "built-in EtherCAT port".
- This user's manual may omit manual names and manual numbers in places that refer to the user's manuals for CPU Units and Industrial PCs. The following table gives some examples.

Examples:

Manual name	Omitted contents	Common text
NJ/NX-series CPU Unit Software User's Manual	Software user's manual for the connected CPU Unit or Industrial PC	Software User's Manual
NY-series IPC Machine Controller Industrial Panel PC / Industrial Box PC Software User's Manual		
NJ/NX-series CPU Unit Built-in EtherCAT® Port User's Manual	User's manual for the built-in EtherCAT port on the connected CPU Unit or Industrial PC	Built-in EtherCAT port
NY-series IPC Machine Controller Industrial Panel PC / Industrial Box PC Built-in EtherCAT® Port User's Manual		

- This user's manual may omit manual names and manual numbers in places that refer to the user's manuals for Communications Coupler Units.
- If the manual names and manual numbers for CPU Units are omitted, refer to *Related Manuals* on page 33 to determine the appropriate manual based on the common text for the omitted contents. If the manual names and manual numbers for Communications Coupler Units are omitted, refer to *Related Manuals* on page 33 to identify the manual for your Unit.

Sections in this Manual

1	Features and System Configuration	I	Index	1	I
2	Specifications			2	
3	Part Names and Functions			3	
4	Installation and Wiring			4	
5	I/O Refreshing			5	
6	Types and Functions of IO-Link Master Units			6	
7	Troubleshooting			7	
8	Inspection and Maintenance			8	
A	Appendices			A	

CONTENTS

Introduction	1
Intended Audience	1
Applicable Products	1
Relevant Manuals	2
Manual Structure	5
Page Structure	5
Special Information	6
Precaution on Terminology	6
Sections in this Manual	9
Terms and Conditions Agreement	14
Warranty, Limitations of Liability	14
Application Considerations	15
Disclaimers	15
Statement of security responsibilities for assumed use cases and against threats	16
Safety Precautions	17
Definition of Precautionary Information	17
Symbols	17
Warnings	18
Cautions	20
Precautions for Safe Use	21
Precautions for Correct Use	26
Regulations and Standards	28
Conformance to EU Directives	28
Conformance to UL and CSA Standards	29
Conformance to Shipbuilding Standards	29
Conformance to KC Certification	29
Software Licenses and Copyrights	29
Unit Versions	30
Unit Versions	30
Unit Versions and Support Software Versions	32
Related Manuals	33
Terminology	38
Revision History	40

Section 1 Features and System Configuration

1-1 Features of the IO-Link Master Units	1-2
1-1-1 Introduction	1-2
1-1-2 Features	1-2
1-2 System Configuration	1-5
1-2-1 System Configuration with CPU Unit	1-5

1-2-2	System Configuration of Slave Terminals	1-6
1-3	Model List	1-9
1-3-1	Model Notation	1-9
1-4	List of Functions	1-10
1-5	Support Software	1-11

Section 2 Specifications

2-1	General Specifications	2-2
2-2	Individual Specifications.....	2-3

Section 3 Part Names and Functions

3-1	Part Names	3-2
3-1-1	IO-Link Master Unit	3-2
3-2	Indicators.....	3-4
3-2-1	TS Indicator	3-4
3-2-2	C Indicator	3-5
3-2-3	E Indicator	3-5
3-2-4	C/Q Indicator	3-5
3-2-5	Appearance Change of the Indicators.....	3-6

Section 4 Installation and Wiring

4-1	Installing NX Units	4-2
4-1-1	Installing NX Units	4-2
4-1-2	Attaching Markers	4-4
4-1-3	Removing NX Units	4-5
4-1-4	Installation Orientation	4-6
4-2	Power Supply Types and Wiring	4-9
4-2-1	Power Supply Types	4-9
4-2-2	Applications of I/O Power Supply and Supply Method	4-9
4-2-3	Calculating the Total Current Consumption from I/O Power Supply	4-10
4-3	Wiring the Terminals.....	4-12
4-3-1	Wiring to the Screwless Clamping Terminal Blocks	4-12
4-3-2	Preventing Incorrect Attachment of Terminal Blocks.....	4-23
4-3-3	Checking the Wiring	4-27
4-4	Wiring Examples and Wiring Precautions	4-28
4-4-1	IO-Link Mode.....	4-28
4-4-2	SIO (DI) Mode	4-28
4-4-3	SIO (DO) Mode	4-29
4-5	Wiring Precautions	4-30
4-5-1	Wiring Precautions for SIO (DI) Mode.....	4-30
4-5-2	Wiring Precautions for SIO (DO) Mode.....	4-30

Section 5 I/O Refreshing

5-1	I/O Refreshing	5-2
5-1-1	I/O Refreshing from the CPU Unit to NX Units.....	5-2
5-1-2	I/O Refreshing from the CPU Unit or Industrial PC to Slave Terminals.....	5-3
5-2	I/O Refreshing Methods.....	5-5
5-2-1	Types of I/O Refreshing Methods.....	5-5

5-2-2	Setting the I/O Refreshing Methods	5-5
5-2-3	Refreshing Operation of the IO-Link Master Unit	5-5
5-3	Communications Performance	5-7
5-3-1	Maximum I/O Response Time When the EtherCAT Coupler Unit Is Connected	5-7
5-3-2	Maximum I/O Response Time When the EtherNet/IP Coupler Unit Is Connected	5-8
5-3-3	Maximum I/O Response Time When the CPU Unit Is Connected	5-10
5-3-4	Determining the IO-Link Communications Cycle	5-11

Section 6 Types and Functions of IO-Link Master Units

6-1	Types and Connection Configuration of IO-Link Master Units	6-2
6-1-1	Types of IO-Link Master Units	6-2
6-1-2	Connection Configuration with the Communications Coupler Unit or CPU Unit and IO-Link Devices	6-2
6-2	Specifications of I/O Data	6-4
6-2-1	Allocable I/O Data	6-4
6-3	List of Settings	6-7
6-4	Functions	6-10

Section 7 Troubleshooting

7-1	How to Check for Errors	7-2
7-2	Checking for Errors with the Indicators	7-3
7-3	Checking for Errors and Troubleshooting on the Support Software	7-4
7-3-1	Checking for Errors from the Sysmac Studio	7-4
7-3-2	Checking for Errors from Support Software Other Than the Sysmac Studio	7-5
7-3-3	Event Codes and Corrections for Errors	7-5
7-4	Resetting Errors	7-6
7-5	Troubleshooting Flowchart	7-7

Section 8 Inspection and Maintenance

8-1	Cleaning and Inspection	8-2
8-1-1	Cleaning	8-2
8-1-2	Periodic Inspections	8-2
8-2	Maintenance Procedures	8-5

Appendices

A-1	Data Sheet	A-2
A-1-1	Models	A-2
A-1-2	IO-Link Master Unit	A-2
A-2	Dimensions	A-8
A-2-1	NX-series IO-Link Master Unit	A-8
A-2-2	Installation Height	A-9
A-3	List of NX Objects	A-10
A-3-1	Format of NX Object Descriptions	A-10
A-3-2	IO-Link Master Unit	A-10
A-4	List of Screwless Clamping Terminal Block Models	A-41
A-4-1	Model Notation	A-41
A-4-2	List of Terminal Block Models	A-41

A-5	Version Information with CPU Units	A-42
A-5-1	Relationship between Unit Versions of Units	A-42
A-5-2	Functions That Were Added or Changed for Each Unit Version	A-43
A-6	Version Information with Communications Coupler Units	A-44
A-6-1	Connection to an EtherCAT Coupler Unit	A-44
A-6-2	Connection to an EtherNet/IP Coupler Unit	A-47

Index

Terms and Conditions Agreement

Warranty, Limitations of Liability

Warranties

● Exclusive Warranty

Omron's exclusive warranty is that the Products will be free from defects in materials and workmanship for a period of twelve months from the date of sale by Omron (or such other period expressed in writing by Omron). Omron disclaims all other warranties, express or implied.

● Limitations

OMRON MAKES NO WARRANTY OR REPRESENTATION, EXPRESS OR IMPLIED, ABOUT NON-INFRINGEMENT, MERCHANTABILITY OR FITNESS FOR A PARTICULAR PURPOSE OF THE PRODUCTS. BUYER ACKNOWLEDGES THAT IT ALONE HAS DETERMINED THAT THE PRODUCTS WILL SUITABLY MEET THE REQUIREMENTS OF THEIR INTENDED USE.

Omron further disclaims all warranties and responsibility of any type for claims or expenses based on infringement by the Products or otherwise of any intellectual property right.

● Buyer Remedy

Omron's sole obligation hereunder shall be, at Omron's election, to (i) replace (in the form originally shipped with Buyer responsible for labor charges for removal or replacement thereof) the non-complying Product, (ii) repair the non-complying Product, or (iii) repay or credit Buyer an amount equal to the purchase price of the non-complying Product; provided that in no event shall Omron be responsible for warranty, repair, indemnity or any other claims or expenses regarding the Products unless Omron's analysis confirms that the Products were properly handled, stored, installed and maintained and not subject to contamination, abuse, misuse or inappropriate modification. Return of any Products by Buyer must be approved in writing by Omron before shipment. Omron Companies shall not be liable for the suitability or unsuitability or the results from the use of Products in combination with any electrical or electronic components, circuits, system assemblies or any other materials or substances or environments. Any advice, recommendations or information given orally or in writing, are not to be construed as an amendment or addition to the above warranty.

See <https://www.omron.com/global/> or contact your Omron representative for published information.

Limitation on Liability; Etc

OMRON COMPANIES SHALL NOT BE LIABLE FOR SPECIAL, INDIRECT, INCIDENTAL, OR CONSEQUENTIAL DAMAGES, LOSS OF PROFITS OR PRODUCTION OR COMMERCIAL LOSS IN ANY

WAY CONNECTED WITH THE PRODUCTS, WHETHER SUCH CLAIM IS BASED IN CONTRACT, WARRANTY, NEGLIGENCE OR STRICT LIABILITY.

Further, in no event shall liability of Omron Companies exceed the individual price of the Product on which liability is asserted.

Application Considerations

Suitability of Use

Omron Companies shall not be responsible for conformity with any standards, codes or regulations which apply to the combination of the Product in the Buyer's application or use of the Product. At Buyer's request, Omron will provide applicable third party certification documents identifying ratings and limitations of use which apply to the Product. This information by itself is not sufficient for a complete determination of the suitability of the Product in combination with the end product, machine, system, or other application or use. Buyer shall be solely responsible for determining appropriateness of the particular Product with respect to Buyer's application, product or system. Buyer shall take application responsibility in all cases.

NEVER USE THE PRODUCT FOR AN APPLICATION INVOLVING SERIOUS RISK TO LIFE OR PROPERTY OR IN LARGE QUANTITIES WITHOUT ENSURING THAT THE SYSTEM AS A WHOLE HAS BEEN DESIGNED TO ADDRESS THE RISKS, AND THAT THE OMRON PRODUCT(S) IS PROPERLY RATED AND INSTALLED FOR THE INTENDED USE WITHIN THE OVERALL EQUIPMENT OR SYSTEM.

Programmable Products

Omron Companies shall not be responsible for the user's programming of a programmable Product, or any consequence thereof.

Disclaimers

Performance Data

Data presented in Omron Company websites, catalogs and other materials is provided as a guide for the user in determining suitability and does not constitute a warranty. It may represent the result of Omron's test conditions, and the user must correlate it to actual application requirements. Actual performance is subject to the Omron's Warranty and Limitations of Liability.

Change in Specifications

Product specifications and accessories may be changed at any time based on improvements and other reasons. It is our practice to change part numbers when published ratings or features are changed, or when significant construction changes are made. However, some specifications of the Product may

be changed without any notice. When in doubt, special part numbers may be assigned to fix or establish key specifications for your application. Please consult with your Omron's representative at any time to confirm actual specifications of purchased Product.

Errors and Omissions

Information presented by Omron Companies has been checked and is believed to be accurate; however, no responsibility is assumed for clerical, typographical or proofreading errors or omissions.

Statement of security responsibilities for assumed use cases and against threats

OMRON SHALL NOT BE RESPONSIBLE AND/OR LIABLE FOR ANY LOSS, DAMAGE, OR EXPENSES DIRECTLY OR INDIRECTLY RESULTING FROM THE INFECTION OF OMRON PRODUCTS, ANY SOFTWARE INSTALLED THEREON OR ANY COMPUTER EQUIPMENT, COMPUTER PROGRAMS, NETWORKS, DATABASES OR OTHER PROPRIETARY MATERIAL CONNECTED THERETO BY DISTRIBUTED DENIAL OF SERVICE ATTACK, COMPUTER VIRUSES, OTHER TECHNOLOGICALLY HARMFUL MATERIAL AND/OR UNAUTHORIZED ACCESS.

It shall be the users sole responsibility to determine and use adequate measures and checkpoints to satisfy the users particular requirements for (i) antivirus protection, (ii) data input and output, (iii) maintaining a means for reconstruction of lost data, (iv) preventing Omron Products and/or software installed thereon from being infected with computer viruses and (v) protecting Omron Products from unauthorized access.

Safety Precautions

Definition of Precautionary Information

The following notation is used in this manual to provide precautions required to ensure safe usage of the NX-series IO-Link Master Units.

The safety precautions that are provided are extremely important to safety. Always read and heed the information provided in all safety precautions.

The following notation is used.



WARNING

Indicates a potentially hazardous situation which, if not avoided, could result in death or serious injury. Additionally, there may be severe property damage.



Caution

Indicates a potentially hazardous situation which, if not avoided, may result in minor or moderate injury, or property damage.

Symbols



The circle and slash symbol indicates operations that you must not do.
The specific operation is shown in the circle and explained in text.
This example indicates prohibiting disassembly.



The triangle symbol indicates precautions (including warnings).
The specific operation is shown in the triangle and explained in text.
This example indicates a precaution for electric shock.



The triangle symbol indicates precautions (including warnings).
The specific operation is shown in the triangle and explained in text.
This example indicates a general precaution.



The filled circle symbol indicates operations that you must do.
The specific operation is shown in the circle and explained in text.
This example shows a general precaution for something that you must do.

Warnings

WARNING

During Power Supply

Do not touch the terminal section while power is ON.
Electric shock may occur.



Do not attempt to take any Unit apart.
In particular, high-voltage parts are present in Units that supply power while power is supplied or immediately after power is turned OFF. Touching any of these parts may result in electric shock. There are sharp parts inside the Unit that may cause injury.



Fail-safe Measures

Provide safety measures in external circuits to ensure safety in the system if an abnormality occurs due to malfunction of the CPU Unit, Industrial PC, other Units, or slaves or due to other external factors affecting operation.
Not doing so may result in serious accidents due to incorrect operation.



Emergency stop circuits, interlock circuits, limit circuits, and similar safety measures must be provided in external control circuits.



The CPU Unit or Industrial PC will turn OFF all outputs from Output Units in the following cases. The remote I/O slaves will operate according to the settings in the slaves.

- If a power supply error occurs.
- If the power supply connection becomes faulty.
- If a CPU watchdog timer error or CPU reset occurs.
- If a Controller error in the major fault level occurs.
- While the CPU Unit is on standby until RUN mode is entered after the power is turned ON



External safety measures must be provided to ensure safe operation of the system in such cases.

The outputs may remain ON or OFF due to deposition or burning of the output relays or destruction of the output transistors. As a countermeasure for such problems, external safety measures must be provided to ensure safe operation of the system.



If external power supplies for slaves or other devices are overloaded or short-circuited, the voltage will drop, outputs will turn OFF, and the system may be unable to read inputs. Provide external safety measures in control with monitoring of external power supply voltage as required so that the system operates safely in such a case.



You must take fail-safe measures to ensure safety in the event of incorrect, missing, or abnormal signals caused by broken signal lines, momentary power interruptions, or other causes.



Not doing so may result in serious accidents due to incorrect operation.

Voltage and Current Inputs

Make sure that the voltages and currents that are input to the Units and slaves are within the specified ranges.

Inputting voltages or currents that are outside of the specified ranges may cause accidents or fire.



Transferring

Always confirm safety at the destination node before you transfer Unit configuration information, parameters, settings, or other data from tools such as the Sysmac Studio.

The devices or machines may operate unexpectedly, regardless of the operating mode of the Controller.



Cautions

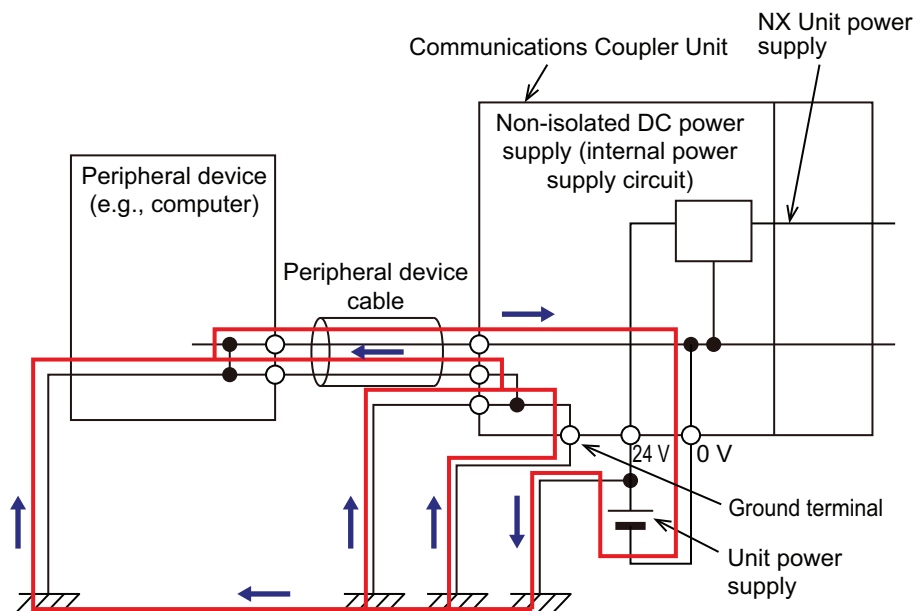
⚠ Caution

Wiring

When you connect a computer or other peripheral device to a Communications Coupler Unit that has a non-isolated DC power supply, either ground the 0-V side of the external power supply (i.e. Unit power supply) or do not ground it at all.

If the peripheral devices are grounded incorrectly, the external power supply (i.e. Unit power supply) may be short-circuited.

Never ground the 24-V side of the power supply, as shown in the following figure.



Be sure that all terminal screws and cable connector screws are tightened to the torque specified in the relevant manuals. The loose screws may result in fire or malfunction.



Online Editing

Execute online editing only after confirming that no adverse effects will be caused by deviations in the timing of I/O. If you perform online editing, the task execution time may exceed the task period, I/O may not be refreshed with external devices, input signals may not be read, and output timing may change.



Precautions for Safe Use

Transporting

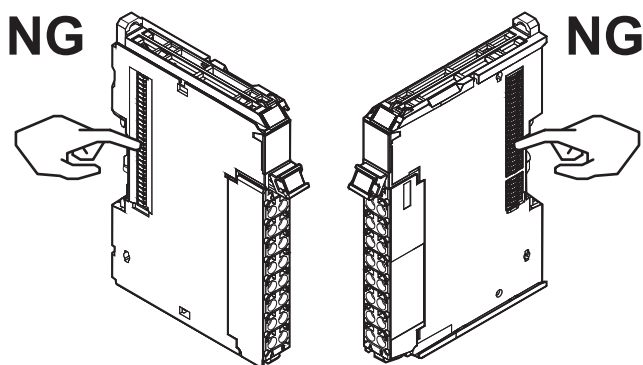
- When transporting any Unit, use the special packing box for it.
Also, do not subject the Unit to excessive vibration or shock during transportation.
- Do not drop any Unit or subject it to abnormal vibration or shock.
Doing so may result in Unit malfunction or burning.

Mounting

- Mount terminal blocks and connectors only after checking the mounting location carefully.
- Be sure that the terminal blocks, expansion cables, and other items with locking devices are properly locked into place.

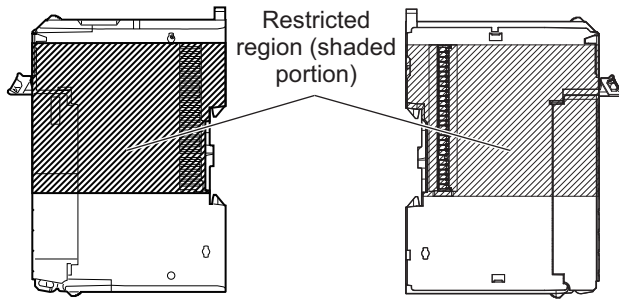
Installation

- Always turn OFF the power supply before installing the Unit. If the power supply is not OFF, the Unit may malfunction or may be damaged.
- Always turn OFF the Unit power supply and I/O power supply before you remove the NX Unit.
- Do not apply labels or tape to the Unit. When the Unit is installed or removed, adhesive or scraps may adhere to the pins in the NX bus connector, which may result in malfunctions.
- Do not touch the pins in the NX bus connector on the Unit. Dirt may adhere to the pins in the NX bus connector, which may result in malfunctions.

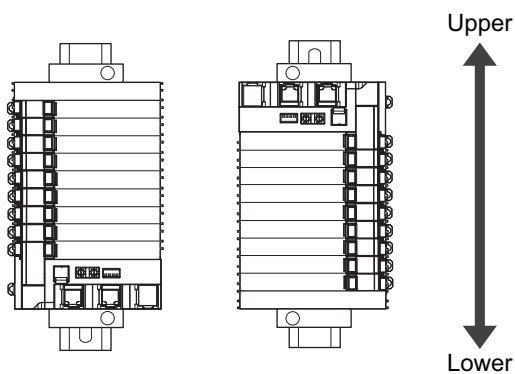


Example: NX Unit (12 mm width)

- Do not write on an NX Unit with ink within the restricted region that is shown in the following figure. Also do not get this area dirty. When the Unit is installed or removed, ink or dirt may adhere to the pins in the NX bus connector, which may result in malfunctions in the CPU Rack or the Slave Terminal.
Refer to the user's manual for the connected CPU Unit, Communications Coupler Unit, or Communication Control Unit for details on the restricted region on the CPU Unit, Communications Coupler Unit, or Communication Control Unit.



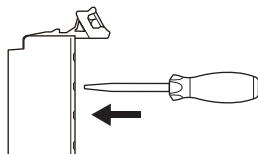
- For the installation orientations in the following figure, support the cables, e.g., with a duct, so that the End Plate on the bottom is not subjected to the weight of the cables. The weight of the cables may cause the bottom End Plate to slide downward so that the Slave Terminal is no longer secured to the DIN Track, which may result in malfunctions.



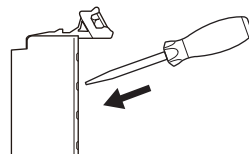
Wiring

- Double-check all switches and other settings and double-check all wiring to make sure that they are correct before turning ON the power supply.
- Use the correct wiring parts and tools when you wire the system.
- Do not pull on the cables or bend the cables beyond their natural limit. Also, do not place heavy objects on top of the cables or other wiring lines. Doing so may break the cable.
- When wiring or installing the Units, do not allow metal fragments to enter the Units.
- Do not press the flat-blade screwdriver straight into the release holes on a screwless clamping terminal block. Doing so may damage the terminal block.

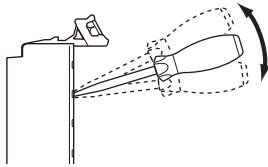
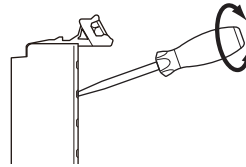
NG



OK



- When you insert a flat-blade screwdriver into a release hole on a screwless clamping terminal block, press it down with a force of 30N or less. Applying excessive force may damage the terminal block.
- Do not incline or twist the flat-blade screwdriver while it is in a release hole on a screwless clamping terminal block. Doing so may damage the terminal block.

NG**NG**

- If you use reed switches for the input contacts for AC Input Units, use switches with an allowable current of 1 A or greater. If the capacity of the reed switches is too low, inrush current may fuse the contacts.
- Use crimp terminals for wiring the M3 screw terminal blocks. Do not connect bare stranded wires directly to the M3 screw terminal blocks.

Power Supply Design

- Use all Units within the I/O power supply ranges that are given in the specifications.
- The I/O power supply current for the CPU Rack with an NX-series CPU Unit should be within the range specified for the CPU Unit model. For example, use the NX1P2 CPU Unit with a current of 4 A or less. Using the currents that are outside of the specifications may cause failure or corruption. Refer to the user's manual for the connected CPU Unit for the I/O power supply current for the CPU Unit model.
- Supply sufficient power according to the contents of this manual.
- Use the power supply voltage that is specified in this manual.
- Do not apply voltages that exceed the rated value to any Input Unit.
- Do not apply voltages or connect loads to the Output Units or slaves in excess of the maximum ratings.
- Inrush current occurs when the power supply is turned ON. When selecting fuses or breakers for external circuits, consider their fusing and detection characteristics as well as the above precautions and allow sufficient margin in shut-off performance.
- Install external breakers and take other safety measures against short-circuiting and overcurrents in external wiring.

Turning ON the Power Supply

- When you set the Operating Mode at Startup, confirm that no adverse effect will occur in the system.

Actual Operation

- Before you start operation, always register the NX Units that are connected to the Communications Coupler Unit in the host communications master as the Unit Configuration Information.
- Check the user program, data, and parameter settings for proper execution before you use them for actual operation.
- If you change the fail-soft operation setting, the output status when the error occurs may also change. Confirm safety before you change the fail-soft operation setting.

- If you use fail-soft operation, write programming to determine whether Unit I/O data is valid. Without such programming, the user program cannot distinguish between Units for which I/O refreshing is continued and Units for which I/O refreshing is stopped.

Turning OFF the Power Supply

- Do not disconnect the cable or turn OFF the power supply to the Controller or a Slave Terminal when downloading data or the user program from the Support Software.
- Always turn OFF the external power supply to the Units before attempting any of the following.
 - a) Mounting or removing an NX Unit, Communications Coupler Unit, CPU Unit, Industrial PC, or Communication Control Unit
 - b) Assembling Units
 - c) Setting DIP switches or rotary switches
 - d) Connecting or wiring cables
 - e) Attaching or removing terminal blocks or connectors

Units that supply power continue to supply power to the Units for up to several seconds after the power supply is turned OFF. The PWR indicator remains lit as long as power is supplied. Confirm that the PWR indicator is not lit before you perform any of the above.

Operation

- Confirm that the controlled system will not be adversely affected before you perform any of the following operations.
 - a) Changing the operating mode of the CPU Unit or Industrial PC (including changing the setting of the Operating Mode at Startup)
 - b) Changing the user program or settings
 - c) Changing set values or present values
 - d) Forced refreshing
- Always sufficiently check the safety at the connected devices before you change the settings of a slave or Unit.

General Communications

- Do not exceed the ranges that are given in the specifications for the communications distance and number of connected Units.
- Refer to the user's manual for the Communications Coupler Unit for precautions for the safe use of communications with the connected Communications Coupler Unit.

Unit Replacement

- When you replace a Unit, start operation only after you transfer the settings and variables that are required for operation to the new Unit.

Disposal

- Dispose of the product according to local ordinances as they apply.

When Using an IO-Link Master Unit

- Default values of I/O allocation differ between the IO-Link Master Unit with unit version 1.0 and one with unit version 1.1.
If you replace a Unit with unit version 1.0 with a Unit with unit version 1.1 or later, set the I/O allocation to the same setting as the Unit with unit version 1.0. Replacing the Unit without changing the I/O allocation may result in erroneous output, erroneous input, and a change in the timing of I/O.

Precautions for Correct Use

Storage, Mounting, and Wiring

- Follow the instructions in this manual to correctly perform installation and wiring.
- Do not operate or store the Units in the following locations. Doing so may result in malfunction, in operation stopping, or in burning.
 - Locations subject to direct sunlight
 - Locations subject to temperatures or humidity outside the range specified in the specifications
 - Locations subject to condensation as the result of severe changes in temperature
 - Locations subject to corrosive or flammable gases
 - Locations subject to dust (especially iron dust) or salts
 - Locations subject to exposure to water, oil, or chemicals
 - Locations subject to shock or vibration
- Take appropriate and sufficient countermeasures during installation in the following locations.
 - Locations subject to strong, high-frequency noise
 - Locations subject to static electricity or other forms of noise
 - Locations subject to strong electromagnetic fields
 - Locations subject to possible exposure to radioactivity
 - Locations close to power lines
- Before touching a Unit, be sure to first touch a grounded metallic object in order to discharge any static build-up.
- Use the rated power supply voltage for the Units that supply power. Take appropriate measures to ensure that the specified power with the rated voltage and frequency is supplied in places where the power supply is unstable.
- Install the Units away from sources of heat and ensure proper ventilation. Not doing so may result in malfunction, in operation stopping, or in burning.
- Do not allow foreign matter to enter the openings in the Unit. Doing so may result in Unit burning, electric shock, or failure.

Actual Operation

- If you change the event level of an error, the output status when the error occurs may also change. Confirm safety before you change an event level.

Turning OFF the Power Supply

- Do not turn OFF the power supply while data is being transferred.
- Do not turn OFF the power supply while parameters are being written to the CPU Unit, Communications Coupler Unit, Communication Control Unit, or NX Units.

General Communications

- Refer to the user's manual for the Communications Coupler Unit for precautions for the correct use of communications with the connected Communications Coupler Unit.
- Refer to the user's manual for the Communication Control Unit for precautions for the correct use of communications with the connected Communication Control Unit.

Regulations and Standards

Conformance to EU Directives

Applicable Directives

- EMC Directives
- Low Voltage Directive

Concepts

● EMC Directives

OMRON devices that comply with EU Directives also conform to the related EMC standards so that they can be more easily built into other devices or the overall machine. The actual products have been checked for conformity to EMC standards.*1

Whether the products conform to the standards in the system used by the customer, however, must be checked by the customer. EMC-related performance of the OMRON devices that comply with EU Directives will vary depending on the configuration, wiring, and other conditions of the equipment or control panel on which the OMRON devices are installed. The customer must, therefore, perform the final check to confirm that devices and the overall machine conform to EMC standards.

*1. Applicable EMC (Electromagnetic Compatibility) standards are as follows: EMS (Electromagnetic Susceptibility): EN 61131-2, EMI (Electromagnetic Interference): EN 61131-2 (Radiated emission: 10-m regulations).

● Low Voltage Directive

Always ensure that devices operating at voltages of 50 to 1,000 VAC and 75 to 1,500 VDC meet the required safety standards. The applicable directive is EN 61010-2-201.

● Conformance to EU Directives

The NX-series Units comply with EU Directives. To ensure that the machine or device in which the NX-series Units are used complies with EU Directives, the following precautions must be observed.

- The NX-series Units must be installed within a control panel.
- You must use SELV power supply for the DC power supplies that are connected as the Unit power supplies and I/O power supplies for the NX-series Units.

EMC standard compliance was confirmed for the recommended Power Supplies. Refer to the user's manual for the connected CPU Unit for the recommended power supplies for the CPU Rack with an NX-series CPU Unit. Refer to the user's manual for the connected Communications Coupler Unit for the recommended power supplies for the Slave Terminal.

- NX-series Units that comply with EU Directives also conform to the Common Emission Standard (EN 61131-2). Radiated emission characteristics (10-m regulations) may vary depending on the configuration of the control panel used, other devices connected to the control panel, wiring, and other conditions.

You must therefore confirm that the overall machine or equipment in which the NX-series Units are used complies with EU Directives.

- You must use power supplies with an output hold time of 10 ms or longer for the DC power supplies that are connected as the Unit power supplies and I/O power supplies for the NX-series Units.
- This is a Class A product (for industrial environments). In a residential environment, it may cause radio interference. If radio interference occurs, the user may be required to take appropriate measures.

Conformance to UL and CSA Standards

Some NX-series products comply with UL and CSA standards.

If you use an NX-series product that complies with UL or CSA standards and the machinery or system in which you use the NX-series product must also comply with the standards, refer to the *Instruction Sheet* that is provided with the product. The *Instruction Sheet* provides the application conditions for complying with the standards.

Conformance to Shipbuilding Standards

Some NX-series products comply with shipbuilding standards.

If you use an NX-series product that complies with shipbuilding standards and the machinery or system in which you use the NX-series product must also comply with the standards, consult with your OMRON representative. Application conditions are defined according to the installation location. Application may not be possible for some installation locations.

For usage conditions for shipbuilding standards, refer to *Conformance to Shipping Standards* in the user's manual for the CPU Unit or Communications Coupler Unit that the NX Units are connected to. Note that the usage conditions are provided in the relevant user's manuals for Units whose conformance to shipbuilding standards is confirmed.

Conformance to KC Certification

Observe the following precaution if you use NX-series Units in Korea.

A급 기기 (업무용 방송통신기자재)
이 기기는 업무용(A급) 전자파적합기기로서 판매자 또는 사용자는 이 점을 주의하시기 바라며, 가정외의 지역에서 사용하는 것을 목적으로 합니다.

Class A Device (Broadcasting Communications Device for Office Use)

This device obtained EMC registration for office use (Class A), and it is intended to be used in places other than homes.

Sellers and/or users need to take note of this.

Software Licenses and Copyrights

This product incorporates certain third party software. The license and copyright information associated with this software is available at http://www.fa.omron.co.jp/nj_info_e/.

Unit Versions

This section describes the notation that is used for unit versions, the confirmation method for unit versions, and the relationship between unit versions and Support Software versions.

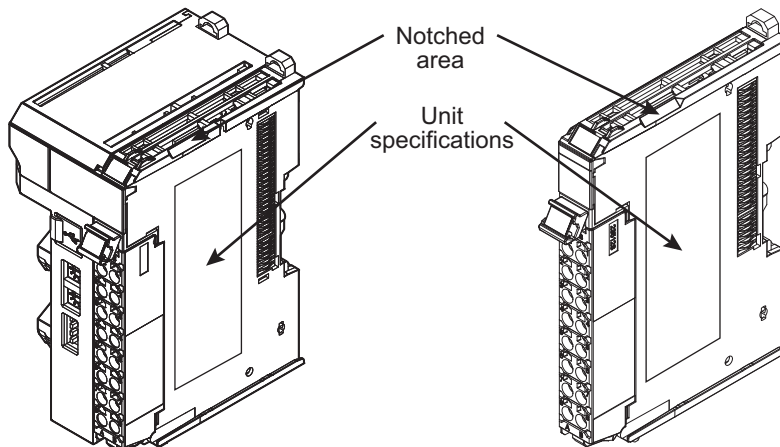
Unit Versions

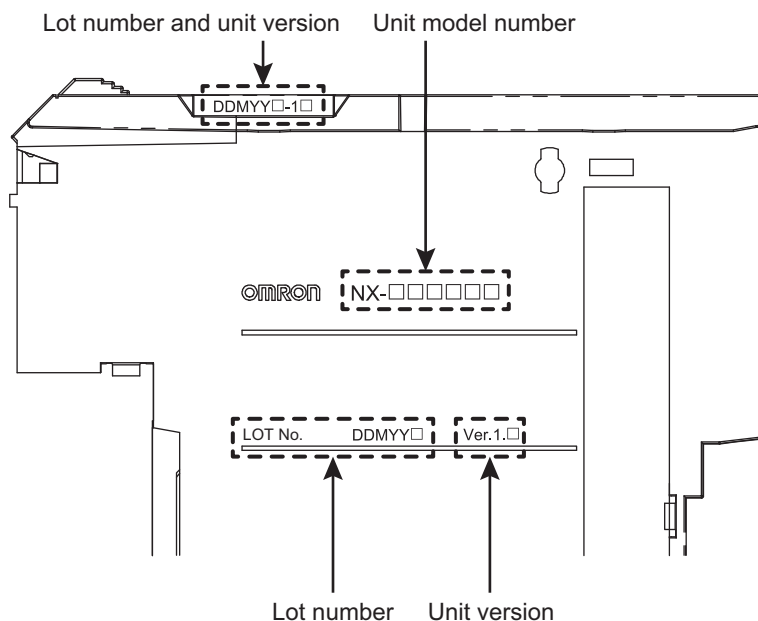
A “unit version” has been introduced to manage the Units in the NX Series according to differences in functionality accompanying Unit upgrades.

An example is provided below for Communications Coupler Units and NX Units. For the notation that is used for the unit versions of CPU Units or Industrial PCs and the confirmation method for unit versions, refer to the user's manual for each Unit.

Notation of Unit Versions on Products

The unit version is given with the Unit specifications on the side of the Unit or in the notched area.





The following information is provided in the Unit specifications on the Unit.

Name	Function
Unit model number	Gives the model of the Unit.
Unit version	Gives the unit version of the Unit.
Lot number	Gives the lot number of the Unit. DDMYY□: Lot number, □: Used by OMRON. "M" gives the month (1 to 9: January to September, X: October, Y: November, Z: December)

The following information is provided in the notched area on the Unit.

Name	Function
Lot number and unit version	Gives the lot number and unit version of the Unit. <ul style="list-style-type: none"> DDMYY□: Lot number, □: Used by OMRON. "M" gives the month (1 to 9: January to September, X: October, Y: November, Z: December) 1□: Unit version The decimal portion of the unit version is omitted. (It is provided in the Unit specifications.)

Confirming Unit Versions with the Support Software

If your NX Unit is connected to a CPU Unit, refer to the user's manual of the connected CPU Unit for the confirmation method for the unit version of the NX Unit.

If your NX Unit is connected to a Communications Coupler Unit, refer to the user's manual of the connected Communications Coupler Unit for the confirmation method for the unit version of the Communications Coupler Unit and NX Unit.

Unit Versions and Support Software Versions

The functions that are supported depend on the unit version of the Unit. The version of Support Software that supports the functions that were added for an upgrade is required to use those functions. Refer to *A-5 Version Information with CPU Units* on page A-42 or *A-6 Version Information with Communications Coupler Units* on page A-44 for the functions that are supported by each unit version.

Related Manuals

The following table shows related manuals. Use these manuals for reference.

Manual name	Cat. No.	Model numbers	Application	Description
NX-series IO-Link Master Unit User's Manual	W567	NX-ILM400	Learning hardware information, wiring, and specifications for the NX-series IO-Link Master Unit and checking a list of NX objects.	Describes part names, functions, installation, and wiring and also provides tables of specifications and NX objects for the NX-series IO-Link Master Unit.
NX/GX-series IO-Link System User's Manual	W570	NX-ILM400 GX-ILM08C	Learning everything from an introduction to details about IO-Link Systems that use NX/GX-series IO-Link Master Units, including mainly software information common to all IO-Link masters, Support Software operating methods, and troubleshooting.	Provides an overview of IO-Link Systems that use NX/GX-series IO-Link Master Units and explains the system configuration, communications specifications, communications methods, I/O data, parameters, functions, Support Software, and troubleshooting.
GX-series EtherCAT Slave Units User's Manual	W488	GX-ID□□□□ GX-OD□□□□ GX-OC□□□□ GX-MD□□□□ GX-AD□□□□ GX-DA□□□□ GX-EC□□□□ XWT-ID□□ XWT-OD□□	Learning how to use the EtherCAT remote I/O terminals.	Describes the hardware, setup methods and functions of the EtherCAT remote I/O terminals.
NX-series Data Reference Manual	W525	NX-□□□□□□	Referencing lists of the data that is required to configure systems with NX-series Units.	Lists of the power consumptions, weights, and other NX Unit data that is required to configure systems with NX-series Units are provided.
NX-series System Units User's Manual	W523	NX-PD1□□□ NX-PF0□□□ NX-PC0□□□ NX-TBX01	Learning how to use NX-series System Units.	The hardware and functions of the NX-series System Units are described.
Sysmac Studio Version 1 Operation Manual	W504	SYSMAC -SE2□□□	Learning about the operating procedures and functions of the Sysmac Studio.	Describes the operating procedures of the Sysmac Studio.

Manual name	Cat. No.	Model numbers	Application	Description
NX-IO Configurator Operation Manual	W585	CXONE-AL□□D-V4	Learning about the operating procedures and functions of the NX-IO Configurator.	Describes the operating procedures of the NX-IO Configurator.
NJ/NX-series Troubleshooting Manual	W503	NX701-□□□□ NX502-□□□□ NX102-□□□□ NX1P2-□□□□ NJ501-□□□□ NJ301-□□□□ NJ101-□□□□	Learning about the errors that may be detected in an NJ/NX-series Controller.	Concepts on managing errors that may be detected in an NJ/NX-series Controller and information on individual errors are described.
NY-series Troubleshooting Manual	W564	NY532-□□□□ NY512-□□□□	Learning about the errors that may be detected in an NY-series Industrial PC.	Concepts on managing errors that may be detected in an NY-series Controller and information on individual errors are described.
NX-series EtherCAT® Coupler Unit User's Manual	W519	NX-ECC20□	Learning how to use an NX-series EtherCAT Coupler Unit and EtherCAT Slave Terminals.	The following items are described: the overall system and configuration methods of an EtherCAT Slave Terminal (which consists of an NX-series EtherCAT Coupler Unit and NX Units), and information on hardware, setup, and functions to set up, control, and monitor NX Units through EtherCAT.
NX-series EtherNet/IP™ Coupler Unit User's Manual	W536	NX-EIC202	Learning how to use an NX-series EtherNet/IP Coupler Unit and EtherNet/IP Slave Terminals.	The following items are described: the overall system and configuration methods of an EtherNet/IP Slave Terminal (which consists of an NX-series EtherNet/IP Coupler Unit and NX Units), and information on hardware, setup, and functions to set up, control, and monitor NX Units.
NX-series CPU Unit Hardware User's Manual	W535	NX701-□□□□	Learning the basic specifications of the NX701 CPU Units, including introductory information, designing, installation, and maintenance. Mainly hardware information is provided.	An introduction to the entire NX701 system is provided along with the following information on the CPU Unit. <ul style="list-style-type: none"> • Features and system configuration • Introduction • Part names and functions • General specifications • Installation and wiring • Maintenance and inspection

Manual name	Cat. No.	Model numbers	Application	Description
NX-series NX502 CPU Unit Hardware User's Manual	W629	NX502-□□□□	Learning the basic specifications of the NX502 CPU Units, including introductory information, designing, installation, and maintenance. Mainly hardware information is provided.	An introduction to the entire NX502 system is provided along with the following information on the CPU Unit. <ul style="list-style-type: none"> • Features and system configuration • Introduction • Part names and functions • General specifications • Installation and wiring • Maintenance and inspection
NX-series NX102 CPU Unit Hardware User's Manual	W593	NX102-□□□□	Learning the basic specifications of the NX102 CPU Units, including introductory information, designing, installation, and maintenance. Mainly hardware information is provided.	An introduction to the entire NX102 system is provided along with the following information on the CPU Unit. <ul style="list-style-type: none"> • Features and system configuration • Introduction • Part names and functions • General specifications • Installation and wiring • Maintenance and inspection
NX-series NX1P2 CPU Unit Hardware User's Manual	W578	NX1P2-□□□□	Learning the basic specifications of the NX1P2 CPU Units, including introductory information, designing, installation, and maintenance. Mainly hardware information is provided.	An introduction to the entire NX1P2 system is provided along with the following information on the CPU Unit. <ul style="list-style-type: none"> • Features and system configuration • Introduction • Part names and functions • General specifications • Installation and wiring • Maintenance and inspection
NJ-series CPU Unit Hardware User's Manual	W500	NJ501-□□□□ NJ301-□□□□ NJ101-□□□□	Learning the basic specifications of the NJ-series CPU Units, including introductory information, designing, installation, and maintenance. Mainly hardware information is provided.	An introduction to the entire NJ-series system is provided along with the following information on the CPU Unit. <ul style="list-style-type: none"> • Features and system configuration • Introduction • Part names and functions • General specifications • Installation and wiring • Maintenance and inspection

Manual name	Cat. No.	Model numbers	Application	Description
NY-series IPC Machine Controller Industrial Panel PC Hardware User's Manual	W557	NY532-□□□□	Learning the basic specifications of the NY-series Industrial Panel PCs, including introductory information, designing, installation, and maintenance. Mainly hardware information is provided.	An introduction to the entire NY-series system is provided along with the following information on the Industrial Panel PC. <ul style="list-style-type: none"> • Features and system configuration • Introduction • Part names and functions • General specifications • Installation and wiring • Maintenance and inspection
NY-series IPC Machine Controller Industrial Box PC Hardware User's Manual	W556	NY512-□□□□	Learning the basic specifications of the NY-series Industrial Box PCs, including introductory information, designing, installation, and maintenance. Mainly hardware information is provided.	An introduction to the entire NY-series system is provided along with the following information on the Industrial Box PC. <ul style="list-style-type: none"> • Features and system configuration • Introduction • Part names and functions • General specifications • Installation and wiring • Maintenance and inspection
NJ/NX-series CPU Unit Software User's Manual	W501	NX701-□□□□ NX502-□□□□ NX102-□□□□ NX1P2-□□□□ NJ501-□□□□ NJ301-□□□□ NJ101-□□□□	Learning how to program and set up an NJ/NX-series CPU Unit. Mainly software information is provided.	The following information is provided on a Controller built with an NJ/NX-series CPU Unit. <ul style="list-style-type: none"> • CPU Unit operation • CPU Unit features • Initial settings • Programming based on IEC 61131-3 language specifications
NY-series IPC Machine Controller Industrial Panel PC / Industrial Box PC Software User's Manual	W558	NY532-□□□□ NY512-□□□□	Learning how to program and set up the Controller functions of an NY-series Industrial PC.	The following information is provided on the NY-series Controller functions. <ul style="list-style-type: none"> • Controller operation • Controller features • Controller settings • Programming based on IEC 61131-3 language specifications
NJ/NX-series CPU Unit Built-in EtherCAT® Port User's Manual	W505	NX701-□□□□ NX502-□□□□ NX102-□□□□ NX1P2-□□□□ NJ501-□□□□ NJ301-□□□□ NJ101-□□□□	Using the built-in EtherCAT port on an NJ/NX-series CPU Unit.	Information on the built-in EtherCAT port is provided. This manual provides an introduction and provides information on the configuration, features, and setup.

Manual name	Cat. No.	Model numbers	Application	Description
NY-series IPC Machine Controller Industrial Panel PC / Industrial Box PC Built-in EtherCAT® Port User's Manual	W562	NY532-□□□□ NY512-□□□□	Using the built-in EtherCAT port in an NY-series Industrial PC.	Information on the built-in EtherCAT port is provided. This manual provides an introduction and provides information on the configuration, features, and setup.
NJ/NX-series Instructions Reference Manual	W502	NX701-□□□□ NX502-□□□□ NX102-□□□□ NX1P2-□□□□ NJ501-□□□□ NJ301-□□□□ NJ101-□□□□	Learning detailed specifications on the basic instructions of an NJ/NX-series CPU Unit.	The instructions in the instruction set (IEC 61131-3 specifications) are described.
NY-series Instructions Reference Manual	W560	NY532-□□□□ NY512-□□□□	Learning detailed specifications on the basic instructions of an NY-series Industrial PC.	The instructions in the instruction set (IEC 61131-3 specifications) are described.

Terminology

The following table describes terms used for NX Units. Refer to the *IO-Link System User's Manual (Cat. No. W570)* for information on terms used for IO-Link Master Units.

Term	Abbreviation	Description
CPU Rack	---	A rack to which a CPU Unit is mounted. For NX-series CPU Units to which NX Units can be connected, a CPU Rack has a CPU Unit with NX Units and an End Cover mounted to it.
DC time	---	In a CPU Rack of a NX-series CPU Unit to which NX Units can be connected, time indicated by the clock shared between the CPU Unit and the NX Units. EtherCAT slaves that support distributed clock synchronization have a clock that is shared by all slaves in the network. The time that is based on this distributed clock is called the DC time. The same clock is shared by a CPU Unit, NX Units connected to the CPU Unit, and applicable EtherCAT slaves.
EtherCAT slave information	ESI	An XML file that contains setting information for an EtherCAT slave. Refer to <i>1-2-2 System Configuration of Slave Terminals</i> on page 1-6 for details.
I/O port	---	A logical interface that is used by the NJ/NX-series CPU Unit or NY-series Industrial PC to exchange data with an external device (slave or Unit).
I/O refreshing	---	Cyclic data exchange with external devices that is performed with predetermined memory addresses. Refer to <i>Section 5 I/O Refreshing</i> on page 5-1 for details.
NX bus	---	The NX-series internal bus.
NX message communications	---	Message communications to access NX objects.
PDO communications	---	An acronym for process data communications.
SDO communications	---	One type of EtherCAT communications in which service data objects (SDOs) are used to transmit information whenever required. Refer to the user's manual for the built-in EtherCAT port on the connected CPU Unit or Industrial PC for details.
Sync0	---	A signal that gives the interrupt timing based on the distributed clock (DC) in EtherCAT communications. The slaves execute controls according to this interrupt timing. Refer to the <i>NX-series EtherCAT Coupler Unit User's Manual (Cat. No. W519)</i> for details.
index	---	Address of an object within an application process.
object	---	An abstract representation of a particular component within a device, which consists of data, parameters, and methods.
subindex	---	Sub-address of an object within the object dictionary.
Slave Terminal	---	A building-block remote I/O terminal, which consists of a Communication Coupler Unit connected with NX Units.
task period	---	The interval at which the primary periodic task or a periodic task is executed. Refer to the software user's manual for the connected CPU Unit or Industrial PC for details.
Communications Coupler Units	---	The generic name of an interface unit for remote I/O communications on a network between NX Units and a host network master.

Term	Abbreviation	Description
primary periodic task	---	The task with the highest priority. Refer to the software user's manual for the connected CPU Unit or Industrial PC for details.
process data	---	Collection of application objects designated to be transferred cyclically or acyclically for the purpose of measurement and control.
process data object	PDO	A structure that describes the mappings of parameters that have one or more process data entities.
process data communications	---	One type of EtherCAT communications in which process data objects (PDOs) are used to exchange information cyclically and in realtime. This is also called PDO communications.

Revision History

A manual revision code appears as a suffix to the catalog number on the front and back covers of the manual.

Cat. No.	W567-E1-08
-----------------	-------------------

↑
Revision code

Revision code	Date	Revised content
01	July 2016	Original production
02	October 2016	<ul style="list-style-type: none"> • Made changes accompanying the addition of NY-series IPC Machine Controller Industrial Panel PCs and Industrial Box PCs. • Made changes accompanying the addition of NX-series NX1P2 CPU Units. • Corrected mistakes.
03	February 2017	Corrected mistakes.
04	June 2017	<ul style="list-style-type: none"> • Made changes accompanying the upgrade of the NX-ECC203 unit version to version 1.5. • Made changes accompanying the upgrade of the NX-EIC202 unit version to version 1.2. • Corrected mistakes.
05	October 2017	<ul style="list-style-type: none"> • Made changes accompanying the upgrade of the NX-ILM400 unit version to version 1.1.
06	April 2018	<ul style="list-style-type: none"> • Made changes accompanying the addition of the NX-series NX102 CPU Unit. • Corrected mistakes.
07	October 2018	<ul style="list-style-type: none"> • Made revisions accompanying the appearance change of the indicators. • Corrected mistakes.
08	October 2024	Corrected mistakes.

1

Features and System Configuration

This section describes the NX system configuration and the features of IO-Link Master Units.

1-1	Features of the IO-Link Master Units	1-2
1-1-1	Introduction.....	1-2
1-1-2	Features	1-2
1-2	System Configuration	1-5
1-2-1	System Configuration with CPU Unit.....	1-5
1-2-2	System Configuration of Slave Terminals.....	1-6
1-3	Model List.....	1-9
1-3-1	Model Notation	1-9
1-4	List of Functions	1-10
1-5	Support Software	1-11

1-1 Features of the IO-Link Master Units

This section describes the features of IO-Link Master Units.

1-1-1 Introduction

An IO-Link Master Unit is an NX Unit that has I/O processing functions for IO-Link communications with IO-Link devices and I/O processing functions for digital I/O data (ON/OFF signals) with non-IO-Link devices.

1-1-2 Features

The NX-series IO-Link Master Unit has the following features.

Can be Connected to a CPU Unit or Communications Coupler Unit

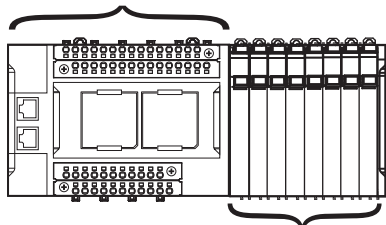
NX Unit NX-series IO-Link Master Units can be connected to the following Units.*1

- NX-series CPU Unit
- NX-series Communications Coupler Unit

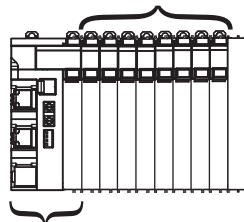
When a CPU Unit and a Communications Coupler Unit are used together, you can unify the methods for installing, wiring, and setting up NX Units, and eventually reduce design costs.

Example:

NX-series NX1P2 CPU Unit



NX Units: NX-series Digital I/O Units or other Units



NX-series EtherCAT Coupler Unit

*1. For whether NX Units can be connected to the CPU Unit or Communications Coupler Unit to be used, refer to the user's manual for the CPU Unit or Communications Coupler Unit to be used.

Simple I/O Wiring with a Screwless Clamping Terminal Block

The terminal block is a screwless clamping terminal block.

You can connect the wires simply by pushing the ferrules into the terminals. The amount of wiring work is reduced without requiring the use of screws.

Reading of Control Signals, Status, Wiring, and Power Supply Status of IO-Link Devices from the Controller

The controller can read the following information as IO-Link Master Unit status.

- Signals and status of the IO-Link devices (examples for photoelectric sensor: unstable detection and sensor errors)
- Disconnections, short-circuits, I/O power ON status, etc., between the IO-Link master and devices

Inputting Digital Signals from Sensors and Other IO-Link Devices during IO-Link Communications

With IO-Link devices that support digital inputs for pin 2*¹, the IO-Link Master Unit can simultaneously perform both IO-Link communications and receive the digital inputs.

This enables rapid input during IO-Link communications.

*1. Digital inputs that use pin 2 of IO-Link Master Unit ports.

Combining IO-Link Devices with General-purpose Sensors and Actuators

- You can connect a combination of IO-Link devices and non-IO-Link devices, such as general-purpose sensors and actuators, to the same IO-Link Master Unit. This allows a single master to function as an IO-Link communications terminal, a digital input terminal, and a digital output terminal.
- When you change an existing system to an IO-Link System, there is no need to replace the cables of existing general-purpose sensors or actuators.

Checking for Incorrect Connections of IO-Link Devices When IO-Link Communications Start

You can register in advance ID information on the IO-Link devices that should connect to the ports of the IO-Link Master Unit to enable verifying the connections of the IO-Link devices when IO-Link communications start.

This lets you reduce commissioning and maintenance work.

Easy Replacement of IO-Link Devices

• Simple Backup and Restoration of IO-Link Device Parameters

For OMRON's IO-Link Master Units, you can back up parameter settings of the IO-Link devices in the IO-Link Master Unit.

When you replace IO-Link devices, you can automatically restore those backup parameters in the new IO-Link devices.

This eliminates the need for software tools when replacing IO-Link devices.

Status on Noise Influence on Cables Connected to IO-Link Devices

OMRON's IO-Link Master Units record the total number of lost frames in cyclic communications. You can use this value to check for the influences of noise and other problems.

For other features, refer to the *IO-Link System User's Manual (Cat. No. W570)*.

1-2 System Configuration

NX Unit NX-series IO-Link Master Units can be connected to the following Units.

- NX-series CPU Unit
- NX-series Communications Coupler Unit

This section describes the system configuration for each type of Unit that an NX Unit can be connected to.

1-2-1 System Configuration with CPU Unit

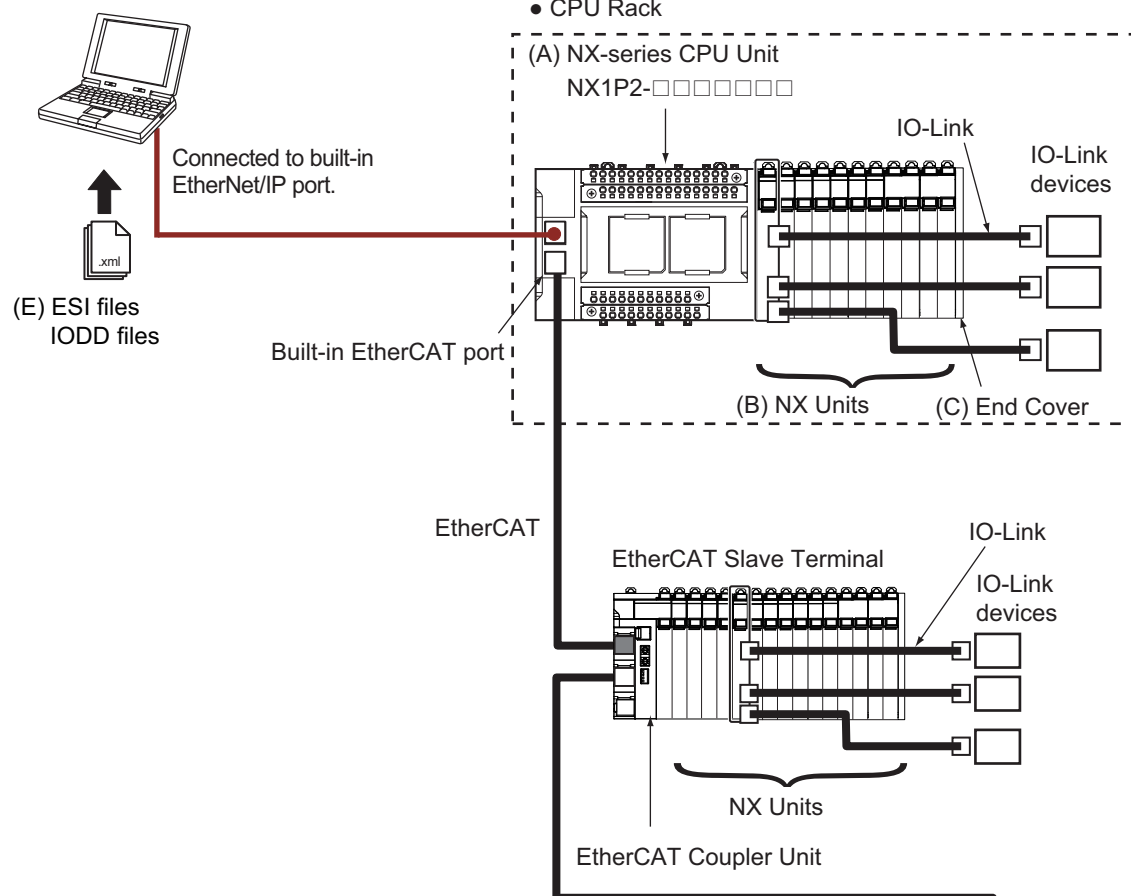
The system configuration when an NX-series IO-Link Master Unit is connected to an NX-series NX1P2 CPU Unit is illustrated below.

You can connect the EtherCAT Slave Terminal to the built-in EtherCAT port on the CPU Unit.

Refer to *1-2-2 System Configuration of Slave Terminals* on page 1-6 for details on the system configuration of a Slave Terminal.

Refer to the user's manual for the connected CPU Unit for details on how to configure the system if the connected CPU Unit is not an NX1P2 CPU Unit.

(D) Support Software
Sysmac Studio
CX-ConfiguratorFDT



Letter	Item	Description
(A)	NX-series NX1P2 CPU Unit	This is the central control Unit in the Machine Automation Controller. It executes tasks and performs I/O refreshing and other processing for other Units and slaves. NX Units can be connected to an NX1P2 CPU Unit.
(B)	NX Units*1	The NX Units perform I/O processing with connected external devices. NX Units exchange data with the CPU Unit during I/O refreshing. You can connect up to eight NX Units to an NX1P2 CPU Unit.
	IO-Link Master Unit	IO-Link devices are connected to screwless clamping terminal blocks.
(C)	End Cover	The End Cover is attached to the end of the CPU Rack.
(D)	Sysmac Studio Support Software	The Sysmac Studio runs on a personal computer and it is used to set up, program, debug, and troubleshoot NJ/NX/NY-series Controllers. With an NX1P2 CPU Unit, settings are made with the personal computer connected to the built-in EtherNet/IP port.
	CX-ConfiguratorFDT Support Software	The CX-ConfiguratorFDT is used to set the parameters of the IO-Link devices.
(E)	ESI (EtherCAT Slave Information) files	The ESI files contain information that is unique to the EtherCAT Slave Terminal in XML format. You can load the ESI file into the Sysmac Studio to easily allocate Slave Terminal process data and configure other settings. The ESI files for OMRON EtherCAT slaves are already installed in the Sysmac Studio. You can obtain the ESI files for the latest models through the Sysmac Studio's automatic update function.
	IODD (IO Device Description) files	These files contain IO-Link device definitions. The IODD files for OMRON's IO-Link devices are automatically installed when you install CX-ConfiguratorFDT. If you use IO-Link devices from another company, you must install the IODD files for the IO-Link devices of that company in CX-ConfiguratorFDT.

*1. For whether an NX Unit can be connected to the CPU Unit, refer to the version information in the user's manual for the NX Unit.

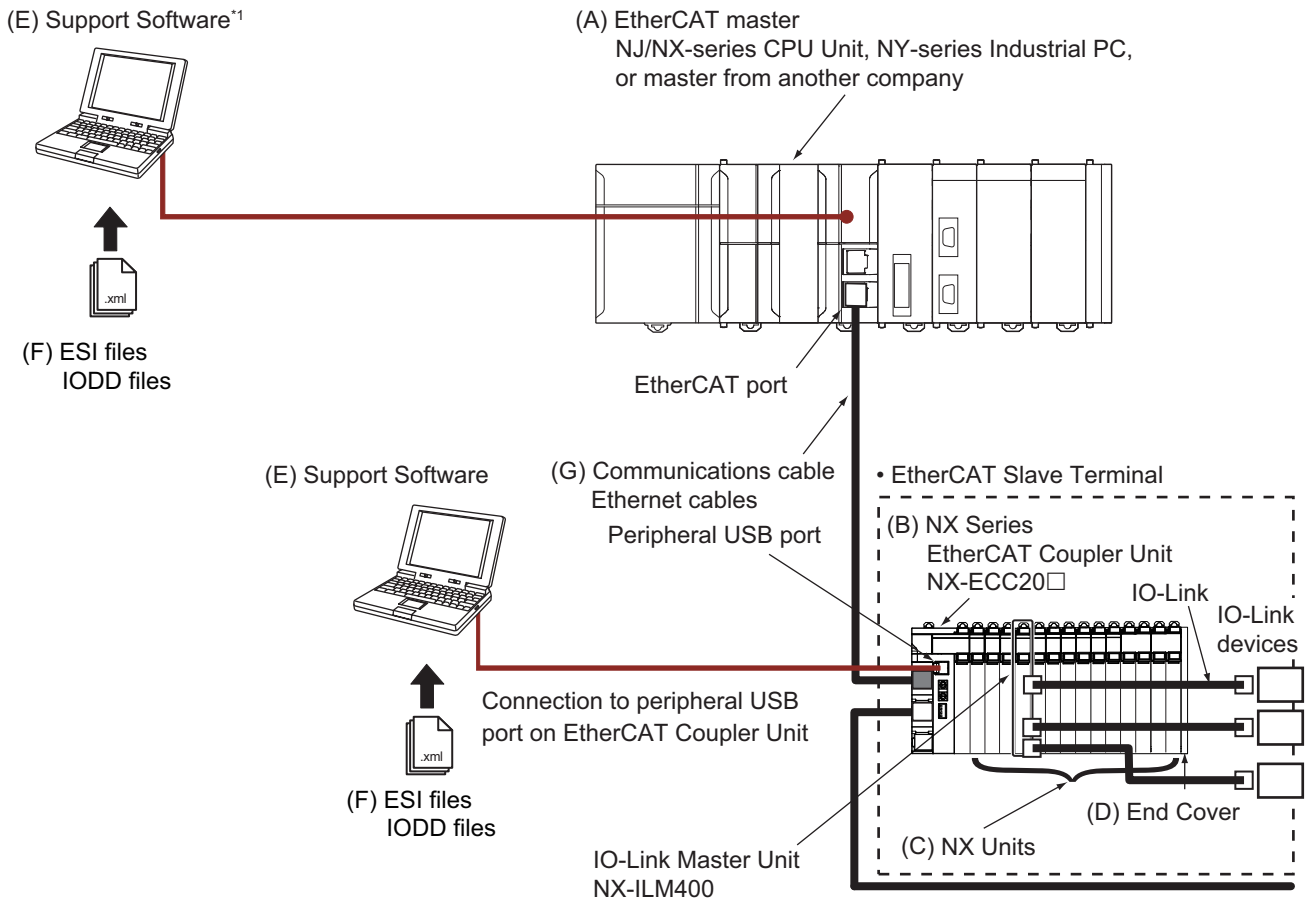
1-2-2 System Configuration of Slave Terminals

A building-block remote I/O slave provided with a group of NX Units connected to a Communications Coupler Unit is generically called a Slave Terminal.

The NX Units can be flexibly combined with a Communications Coupler Unit to achieve the optimum remote I/O slave for the application with less wiring, less work, and less space.

The following figure shows an example of the system configuration when an EtherCAT Coupler Unit is used as a Communications Coupler Unit.

Refer to the user's manual for the connected Communications Coupler Unit for details on how to configure the system when any other type of Communications Coupler Unit is used.



*1. The connection method for the Support Software depends on the model of the CPU Unit or Industrial PC.

Letter	Item	Description
(A)	EtherCAT master* ¹	The EtherCAT master manages the network, monitors the status of slaves, and exchanges I/O data with slaves.
(B)	EtherCAT Coupler Unit	The EtherCAT Coupler Unit serves as an interface for process data communications on the EtherCAT network between the NX Units and the EtherCAT master. The I/O data for the NX Units is accumulated in the EtherCAT Coupler Unit and then all of the data is exchanged with the EtherCAT master at the same time. The EtherCAT Coupler Unit can also perform message communications (SDO communications) with the EtherCAT master.
(C)	NX Units * ²	The NX Units perform I/O processing with connected external devices. The NX Units perform process data communications with the EtherCAT master through the EtherCAT Coupler Unit.
	IO-Link Master Unit	IO-Link devices are connected to screwless clamping terminal blocks.
(D)	End Cover	The End Cover is attached to the end of the CPU Rack.
(E)	Support Software* ^{3,4}	
	Sysmac Studio	The Sysmac Studio runs on a personal computer and it is used to configure the EtherCAT network and EtherCAT Slave Terminal, and to program, monitor, and troubleshoot the Controllers.
	CX-ConfiguratorFDT	The CX-ConfiguratorFDT is used to set the parameters of the IO-Link devices.

Letter	Item	Description
(F)	ESI (EtherCAT Slave Information) files	The ESI files contain information that is unique to the EtherCAT Slave Terminal in XML format. You can load the ESI file into the Sysmac Studio to easily allocate Slave Terminal process data and configure other settings. The ESI files for OMRON EtherCAT slaves are already installed in the Sysmac Studio. You can obtain the ESI files for the latest models through the Sysmac Studio's automatic update function.
	IODD (IO Device Description) files	These files contain IO-Link device definitions. The IODD files for OMRON's IO-Link devices are automatically installed when you install CX-ConfiguratorFDT. If you use IO-Link devices from another company, you must install the IODD files for the IO-Link devices of that company in CX-ConfiguratorFDT.
(G)	Communications cable	Use a double-shielded cable with aluminum tape and braiding of Ethernet category 5 (100Base-TX) or higher, and use straight wiring.

- *1. An EtherCAT Slave Terminal cannot be connected to any of the OMRON CJ1W-NC□81/NC□82 Position Control Units even though they can operate as EtherCAT masters.
- *2. For whether an NX Unit can be connected to the Communications Coupler Unit, refer to the version information in the user's manual for the NX Unit.
- *3. The term Support Software indicates software that is provided by OMRON. If you connect to a master from another company, use the software tool corresponding to that master.
- *4. Refer to *1-5 Support Software* on page 1-11 for information on Support Software.



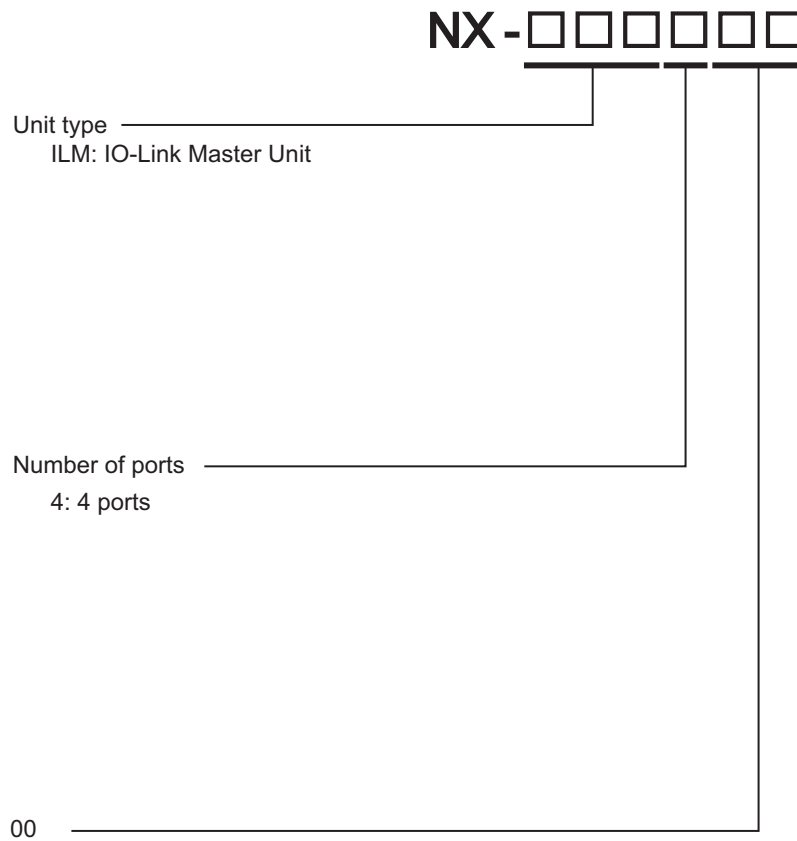
Additional Information

If you are using the EtherNet/IP Coupler Unit with a CJ/CP/CS-series PLC or a controller from another manufacturer, you can use the NX-IO Configurator as a Support Software. Refer to the NX-IO Configurator Operation Manual (Cat. No. W585) for details on the NX-IO Configurator. Refer to the IO-Link System User's Manual (Cat. No. W570) for details on the system configuration of the IO-Link Master Unit using the EtherNet/IP Coupler Unit.

1-3 Model List

1-3-1 Model Notation

The IO-Link Master Unit models are assigned based on the following rules.



1-4 List of Functions

Refer to *6-4 Functions* on page 6-10 for details on the functions of the IO-Link Master Units.

1-5 Support Software

Refer to the *IO-Link System User's Manual (Cat. No. W570)* for information on the Support Software used for the IO-Link Master Units.

Refer to *A-5 Version Information with CPU Units* on page A-42 or *A-6 Version Information with Communications Coupler Units* on page A-44 for information on the Support Software that can perform the settings of CPU Racks and Slave Terminals.

2

Specifications

This section describes the general specifications and individual specifications of IO-Link Master Units.

2-1	General Specifications	2-2
2-2	Individual Specifications	2-3

2-1 General Specifications

The general specifications of the IO-Link Master Unit are shown below.

Item		Specification
Enclosure		Mounted in a panel
Grounding methods		Ground to 100 Ω or less
Operating environment	Ambient operating temperature	0 to 55°C
	Ambient operating humidity	10 to 95% RH (with no icing or condensation)
	Atmosphere	Must be free from corrosive gases.
	Ambient storage temperature	-25 to 70°C (with no icing or condensation)
	Altitude	2,000 m max.
	Pollution degree	Pollution degree 2 or less: Conforms to JIS B 3502 and IEC 61131-2.
	Noise immunity	Conforms to IEC 61000-4-4, 2 kV (power supply line)
	Overvoltage category	Category II: Conforms to JIS B 3502 and IEC 61131-2.
	EMC immunity level	Zone B
	Vibration resistance	Conforms to IEC 60068-2-6. 5 to 8.4 Hz with amplitude of 3.5 mm, 8.4 to 150 Hz, acceleration of 9.8 m/s ² 100 min each in X, Y, and Z directions (10 sweeps of 10 min each = 100 min total)
	Shock resistance	Conforms to IEC 60068-2-27, 147 m/s ² , 3 times each in X, Y, and Z directions
	Insulation resistance	Refer to the individual specifications of NX Units.
Dielectric strength	Refer to the individual specifications of NX Units.	
Applicable standards		cULus: Listed (UL61010-2-201), ANSI/ISA 12.12.01, EU: EN 61131-2, RCM, KC (KC Registration), and IO-Link conformance

Note 1. The specifications of insulation resistance and dielectric strength vary with NX Unit Models.

Note 2. Refer to the OMRON website (www.ia.omron.com) or ask your OMRON representative for the most recent applicable standards for each model.

2-2 Individual Specifications

Refer to *A-1 Data Sheet* on page A-2 for the specifications of individual IO-Link Master Units.

3

Part Names and Functions

This section describes the names and functions of the IO-Link Master Unit parts.

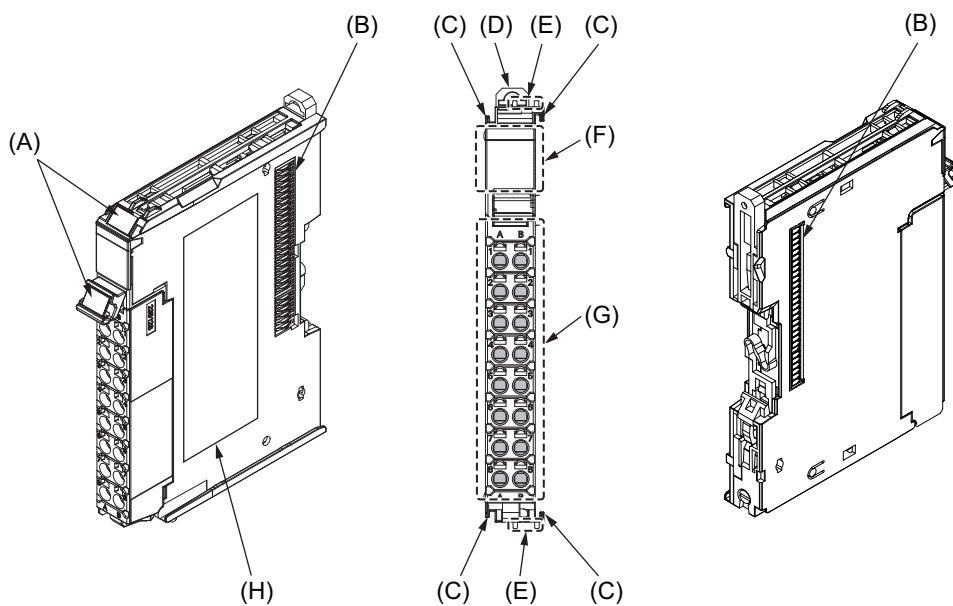
3-1	Part Names	3-2
3-1-1	IO-Link Master Unit	3-2
3-2	Indicators	3-4
3-2-1	TS Indicator	3-4
3-2-2	C Indicator	3-5
3-2-3	E Indicator	3-5
3-2-4	C/Q Indicator	3-5
3-2-5	Appearance Change of the Indicators	3-6

3-1 Part Names

This section describes the names and functions of the IO-Link Master Unit parts.

3-1-1 IO-Link Master Unit

NX-ILM400



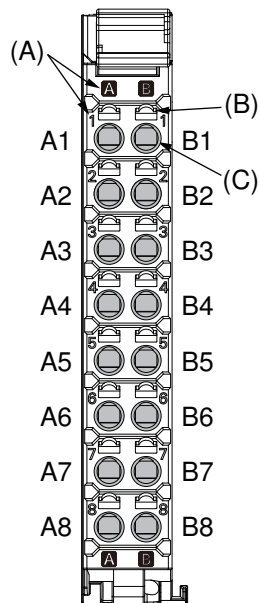
Letter	Name	Function
(A)	Marker attachment locations	The locations where markers are attached. The markers made by OMRON are installed for the factory setting. Commercially available markers can also be installed.
(B)	NX bus connector	This connector is used to connect each Unit.
(C)	Unit hookup guides	These guides are used to connect two Units.
(D)	DIN Track mounting hook	This hook is used to mount the NX Unit to a DIN Track.
(E)	Protrusions for removing the Unit	The protrusions to hold when removing the Unit.
(F)	Indicators	The indicators show the current operating status of the Unit.
(G)	Terminal block	The terminal block is used to connect external devices. The number of terminals depends on the type of Unit.
(H)	Unit specifications	The specifications of the Unit are given.

Refer to 4-1-2 *Attaching Markers* on page 4-4 for details on the marker attachment locations and 3-2 *Indicators* on page 3-4 for details on the indicators.

Terminal Blocks

The NX-TBA162 Screwless Clamping Terminal Block is used for the 16-pin terminal block.

NX-TBA162



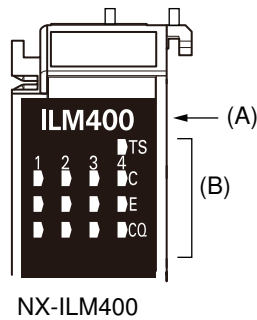
Letter	Name	Function
(A)	Terminal number indications	Terminal numbers for which A and B indicate the column, and 1 to 8 indicate the line are displayed. The terminal number is a combination of column and line, i.e. A1 to A8 and B1 to B8. The terminal number indications are the same regardless of the number of terminals on the terminal block.
(B)	Release holes	Insert a flat-blade screwdriver into these holes to connect and remove the wires.
(C)	Terminal holes	The wires are inserted into these holes.

3-2 Indicators

The IO-Link Master Units have indicators that show the current operating status of the Unit, IO-Link communications status, or signal I/O status.

The appearance of the indicators has been changed for models released in or before September 2018 with lot numbers that represent the date of or after September 20, 2018. In this manual, those models are shown with the indicators after the change. For details on the applicable models and the changes, refer to 3-2-5 *Appearance Change of the Indicators* on page 3-6.

- NX Units (12 mm Width)

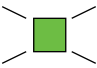
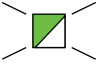
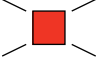
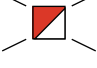



Letter	Name	Function
(A)	Model number indications	Gives the model number of the NX Unit, without the prefix. For the NX-ILM400, <i>ILM400</i> is given. The NX Units are separated in the following color depending on the type of inputs and outputs. <ul style="list-style-type: none"> • IO-Link Master Unit: Green
(B)	Indicators	The indicators show the current operating status of the NX Unit or the signal I/O status.

The following section describes the specifications of each indicator.

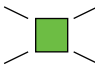

3-2-1 TS Indicator

The following table lists the possible statuses for this indicator and what they mean.

Color	Status	Description
Green		Lit <ul style="list-style-type: none"> The Unit is operating normally. The Unit is ready for I/O refreshing.
		Flashing (at 2-s intervals) <ul style="list-style-type: none"> Initializing (changing from Init state to SafeOp or Op state)
Red		Lit <ul style="list-style-type: none"> A hardware failure, WDT error, or other fatal error that is common to all I/O Units occurred.
		Flashing (at 1-s intervals) <ul style="list-style-type: none"> A communications error or other NX bus-related error that is common to all I/O Units occurred.
---		Not lit <ul style="list-style-type: none"> No Unit power supply Restarting is in progress for the Unit. Waiting for initialization to start

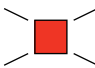
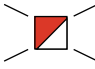

3-2-2 C Indicator

The following table lists the possible statuses for this indicator and what they mean.

Color	Status	Description
Green		Lit <ul style="list-style-type: none"> Initial processing is in progress or IO-Link communications are in progress during operation in IO-Link Mode.
		Not lit <ul style="list-style-type: none"> IO-Link communications are stopped during operation in IO-Link Mode. Operation is currently performed in SIO (DI) or SIO (DO) Mode. The port is disabled.

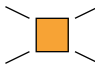

3-2-3 E Indicator

The following table lists the possible statuses for this indicator and what they mean.

Color	Status	Description
Red		Lit <ul style="list-style-type: none"> A hardware error or other critical error has occurred.
		Flashing (at 1-s intervals) <ul style="list-style-type: none"> There is an IO-Link communications error during operation in IO-Link Mode.
		Not lit <ul style="list-style-type: none"> IO-Link communications are stopped during operation in IO-Link Mode. Operation is currently performed in SIO (DI) or SIO (DO) Mode. The port is disabled.

3-2-4 C/Q Indicator

The following table lists the possible statuses for this indicator and what they mean.

Color	Status	Description
Yellow	 Lit	<ul style="list-style-type: none"> The pin-2 input signal is ON during operation in IO-Link Mode. The I/O signal is ON during operation in SIO (DI) Mode or SIO (DO) Mode.
	 Not lit	<ul style="list-style-type: none"> The pin-2 input signal is OFF during operation in IO-Link Mode. The I/O signal is OFF during operation in SIO (DI) Mode or SIO (DO) Mode. The port is disabled.

3-2-5 Appearance Change of the Indicators

The appearance of the indicators has been changed for models released in or before September 2018 with lot numbers that represent the date of or after September 20, 2018. See below for details on the applicable models and the changes. Models that are not listed here have the appearance after the change.

- **Applicable Models**

NX-ILM400

- **Change Details**

The shape of the light emitting part of each indicator has been changed from a square to a pentagon.

Below is an example of the TS indicator.



Before change



After change

4

Installation and Wiring

This section describes how to install the NX Units, the types of power supplies provided to the NX Units and wiring methods, and how to wire the NX Units.

4

4-1	Installing NX Units.....	4-2
4-1-1	Installing NX Units	4-2
4-1-2	Attaching Markers	4-4
4-1-3	Removing NX Units	4-5
4-1-4	Installation Orientation.....	4-6
4-2	Power Supply Types and Wiring.....	4-9
4-2-1	Power Supply Types.....	4-9
4-2-2	Applications of I/O Power Supply and Supply Method	4-9
4-2-3	Calculating the Total Current Consumption from I/O Power Supply.....	4-10
4-3	Wiring the Terminals	4-12
4-3-1	Wiring to the Screwless Clamping Terminal Blocks	4-12
4-3-2	Preventing Incorrect Attachment of Terminal Blocks.....	4-23
4-3-3	Checking the Wiring	4-27
4-4	Wiring Examples and Wiring Precautions	4-28
4-4-1	IO-Link Mode	4-28
4-4-2	SIO (DI) Mode	4-28
4-4-3	SIO (DO) Mode	4-29
4-5	Wiring Precautions.....	4-30
4-5-1	Wiring Precautions for SIO (DI) Mode	4-30
4-5-2	Wiring Precautions for SIO (DO) Mode	4-30

4-1 Installing NX Units

This section describes how to install NX Units.

Refer to the user's manual for the CPU Unit or Communications Coupler Unit to which NX Units are connected for information on preparations of installation and installation in a control panel.

4-1-1 Installing NX Units

This section describes how to mount two NX Units to each other.

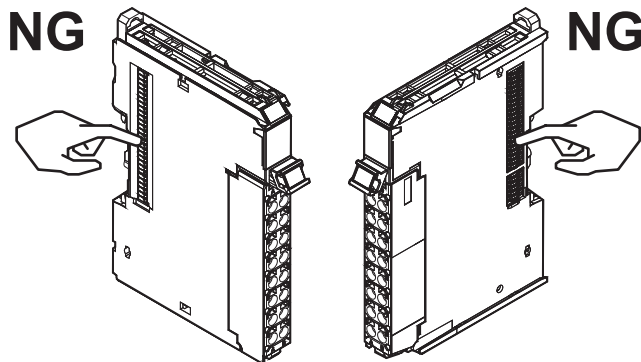
Always turn OFF the power supply before you mount NX Units.

Always mount NX Units one at a time. If you attempt to mount multiple NX Units that are already connected together, the connections between the NX Units may separate from each other and fall.



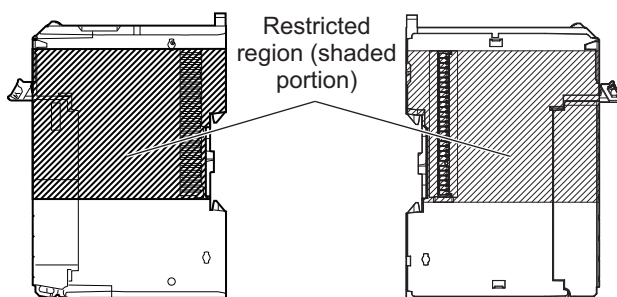
Precautions for Safe Use

- Always turn OFF the power supply before installing the Unit. If the power supply is not OFF, the Unit may malfunction or may be damaged.
- Do not apply labels or tape to the Unit. When the Unit is installed or removed, adhesive or scraps may adhere to the pins in the NX bus connector, which may result in malfunctions.
- Do not touch the pins in the NX bus connector on the Unit. Dirt may adhere to the pins in the NX bus connector, which may result in malfunctions.



Example: NX Unit (12 mm width)

- Do not write on an NX Unit with ink within the restricted region that is shown in the following figure. Also do not get this area dirty. When the Unit is installed or removed, ink or dirt may adhere to the pins in the NX bus connector, which may result in malfunctions in the CPU Rack or the Slave Terminal.
Refer to the user's manual for the connected CPU Unit, Communications Coupler Unit, or Communication Control Unit for details on the restricted region on the CPU Unit, Communications Coupler Unit, or Communication Control Unit.

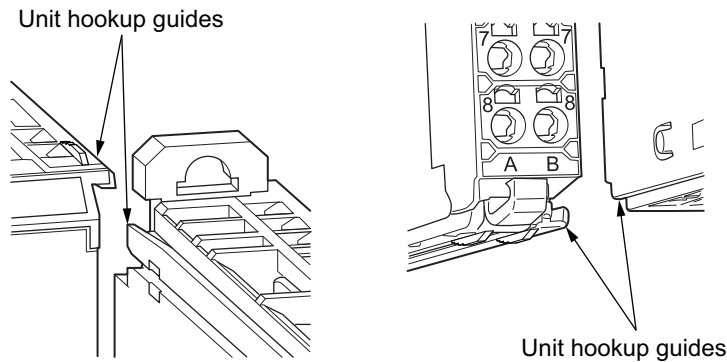




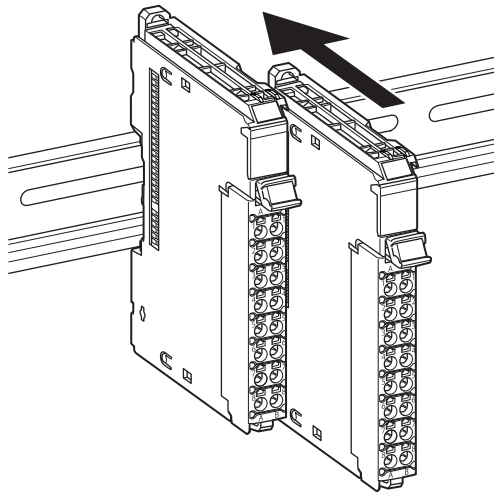
Precautions for Correct Use

- When you install an NX Unit, do not touch or bump the pins in the NX bus connector.
- When you handle an NX Unit, be careful not to apply any stress to the pins in the NX bus connector. If the NX Unit is installed and the power supply is turned ON when the pins in the NX bus connector are deformed, contact failure may cause malfunctions.

- 1 From the front of the previously mounted NX Unit, engage the Unit hookup guides on a new Unit with the Unit hookup guides on the previously mounted NX Unit.



- 2 Slide the NX Unit in on the hookup guides.



- 3 Press the NX Unit with a certain amount of force against the DIN Track until you hear the DIN Track mounting hook lock into place.
When you mount the NX Unit, it is not necessary to unlock the DIN Track mounting hook on the NX Unit.
After you mount the NX Unit, make sure that it is locked to the DIN Track.



Additional Information

- It is not normally necessary to unlock the DIN Track mounting hook when you mount the NX Unit. If you mount an NX Unit on a DIN Track that is not one of the recommended DIN Tracks, the DIN Track mounting hook may not lock into place. If that happens, first unlock the DIN Track mounting hook, mount the NX Unit to the DIN Track, then lock the DIN Track mounting hook.
- Refer to the hardware user's manual for the CPU Unit to which NX Units can be connected for information on how to mount the CPU Unit and how to mount NX Units to the CPU Unit.
- Refer to the user's manual for the Communications Coupler Unit for information on how to mount the Communications Coupler Unit and how to mount the NX Unit to the Communications Coupler Unit.

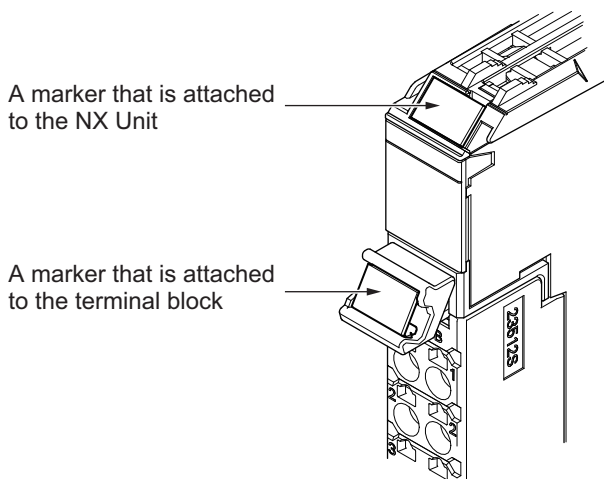
4-1-2 Attaching Markers

You can attach markers to the NX Units to identify them.

The plastic markers made by OMRON are installed for the factory setting. The ID information can be written on them.

Commercially available markers can also be installed.

Replace the markers made by OMRON if you use commercially available markers now.



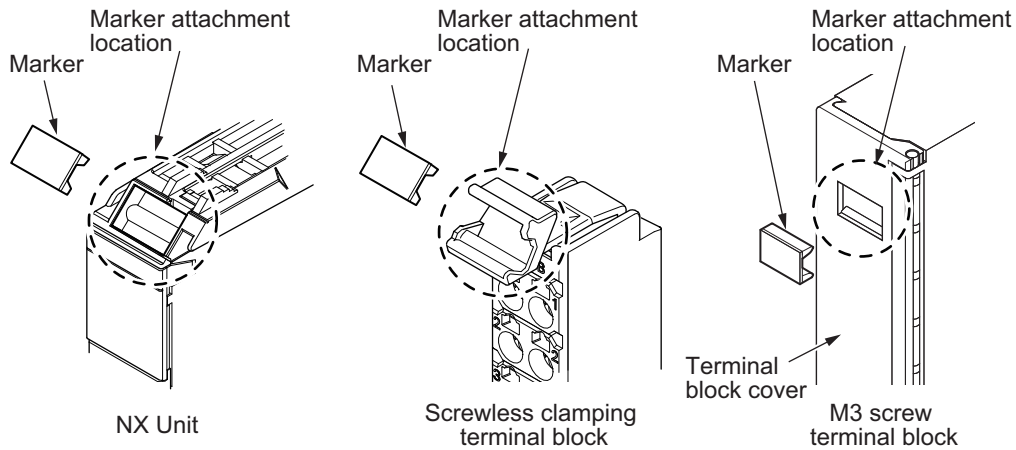
The marker attachment locations vary depending on the type of the external connection terminals on the NX Units.

Refer to the user's manual for the NX Units that you use for the external connection terminals.

External connection terminals on NX Units	Marker attachment location
Screwless clamping terminal block	NX Unit and terminal block
M3 screw terminal block	
MIL connector	NX Unit only
Fujitsu/OTAX connector	

Marker Installation Method

Insert the protrusions on the markers into the marker attachment locations.



Commercially Available Markers

Commercially available markers are made of plastic and can be printed on with a special printer. To use commercially available markers, purchase the following products.

Product name	Model number	
	Manufactured by Phoenix Contact	Manufactured by Weidmuller
Markers	UC1-TMF8	DEK 5/8
Special marker printer	UM EN BLUEMARK X1	PrintJet PRO

The markers made by OMRON cannot be printed on with commercially available special printers.

4-1-3 Removing NX Units

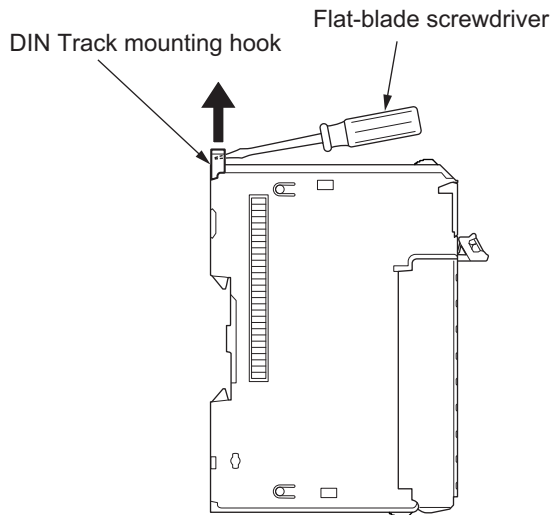
This section describes how to remove NX Units.



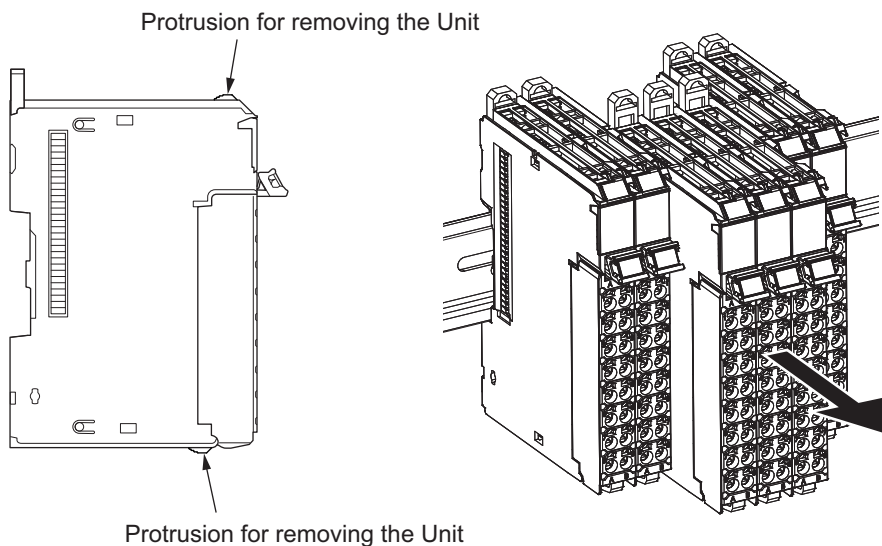
Precautions for Safe Use

Always turn OFF the Unit power supply and I/O power supply before you remove the NX Unit.

- 1 Use a flat-blade screwdriver or similar tool to pull up the DIN Track mounting hook on the NX Unit to remove.



- 2** Place your fingers on the protrusions on more than one NX Unit, including the NX Unit to remove, and pull the NX Units straight forward.



Precautions for Correct Use

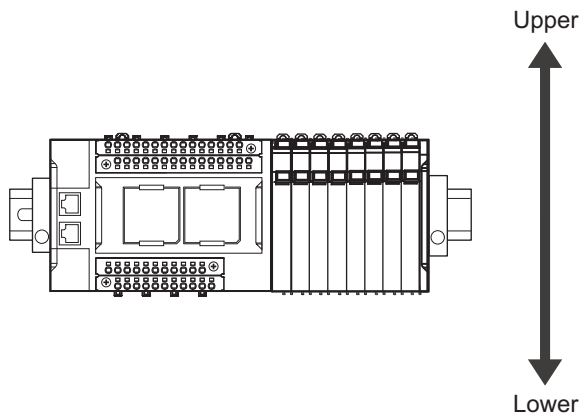
- When you need to remove an NX Unit, always remove more than one NX Unit at a time, including the Unit you need to remove. It is sometimes very difficult to remove only one NX Unit by itself.
- Do not release the DIN Track mounting hooks on all of the NX Units at the same time. If you release the DIN Track mounting hooks on all of the Units at the same time, all of the Units will come off.

4-1-4 Installation Orientation

This section describes the installation orientation for each type of Unit that an NX Unit can be connected to.

Installation Orientation on the CPU Unit

The NX Unit can be installed only in the upright orientation.

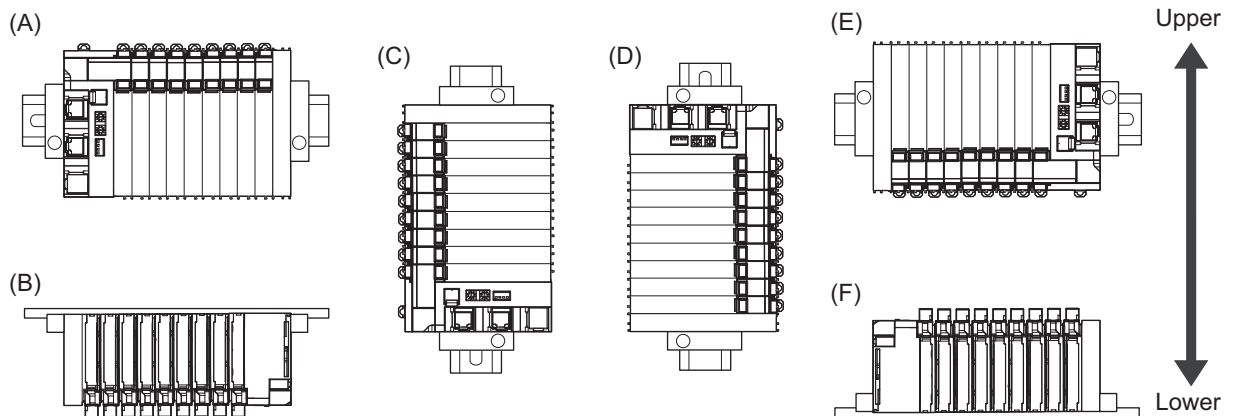


However, there are restrictions on the specifications depending on the NX Units to be used. For detailed restrictions, refer to descriptions of installation orientations and restrictions for each model in the user's manuals for the NX Units and System Units that you will use.

Installation Orientation on Slave Terminals

The Slave Terminal can be installed in any of the following six orientations.

(A) is the upright installation orientation and (B) to (F) are installation orientations other than upright.

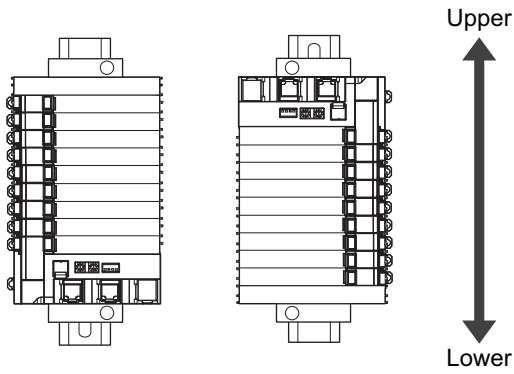


However, there are restrictions on the installation orientation and restrictions to the specifications that can result from the Communications Coupler Units and NX Units that are used. For detailed restrictions, refer to descriptions of installation orientations and restrictions for each model in the user's manuals for the Communications Coupler Units, NX Units, and NX-series System Units that you will use.



Precautions for Safe Use

- For the installation orientations in the following figure, support the cables, e.g., with a duct, so that the End Plate on the bottom is not subjected to the weight of the cables. The weight of the cables may cause the bottom End Plate to slide downward so that the Slave Terminal is no longer secured to the DIN Track, which may result in malfunctions.



4-2 Power Supply Types and Wiring

This section describes the power supply types and wiring.

4-2-1 Power Supply Types

There are the following two types of power supplies that supply power to the NX Units.

Power supply name	Description
NX Unit power supply	This power supply is used for operating the NX Units.
I/O power supply	This power supply is used for driving the I/O circuits of the NX Units and for the connected external devices.

The method for supplying power to the NX Units and the wiring method depend on the specifications for the CPU Unit to which NX Units are connected or the specifications for the Slave Terminal. Refer to *Designing the Power Supply System* or *Wiring*, which are described both in the hardware user's manual for the CPU Unit to which NX Units are connected and user's manual for the Communications Coupler Unit, for details on the method for supplying power to the NX Units and the wiring method.

The subsequent sections describe the applications of I/O power supply for the IO-Link Master Units and supply methods, and how to calculate the total current consumption from the I/O power supply.

4-2-2 Applications of I/O Power Supply and Supply Method

The applications of I/O power supply and supply method for the IO-Link Master Units are given as follows:



Additional Information

NX-series Power Supply-related Units

The following three NX-series Units are related to power supply.

- Additional NX Unit Power Supply Units
- Additional I/O Power Supply Units
- I/O Power Supply Connection Units

Refer to the *NX-series System Units User's Manual (Cat. No. W523)* for the specifications of these Units.

For a complete list of the latest power supply Units in the NX Series, refer to the product catalog or official website, or contact your OMRON representative.

Applications of I/O Power Supply

The I/O power supply is used for the following applications.

- Power supply for IO-Link devices
- Power supply for I/O circuits
- Input current in SIO (DI) Mode
- External load current in SIO (DO) Mode

I/O Power Supply Method

Power is supplied by the following method.

● Supply from the NX Bus

Power is supplied through the NX bus connectors by connecting an I/O power supply to the I/O power supply terminals on the Communications Coupler Unit or Additional I/O Power Supply Unit.

Refer to *Designing the Power Supply System and Wiring* in the hardware user's manual for the connected CPU Unit for details on Units to which I/O power is supplied in a CPU Rack.

Refer to *Designing the Power Supply System and Wiring* in the user's manual for the connected Communications Coupler Unit for details on Units to which I/O power is supplied in a Slave Terminal.

4-2-3 Calculating the Total Current Consumption from I/O Power Supply

The total current consumption of I/O power supplied from the NX bus must be within the range of the maximum I/O power supply current of the Communications Coupler Unit or the Additional I/O Power Supply Unit. However, when an Additional I/O Power Supply Unit is connected to the CPU Rack of a CPU Unit, the maximum I/O power supply current value may be smaller than that of the Additional I/O Power Supply Unit. For example, the maximum I/O power supply current for the CPU Rack of an NX1P2 CPU Unit is 4 A. Refer to *Maximum I/O Power Supply Current* under *Designing the I/O Power Supply from the NX Bus* in the hardware user's manual for the CPU Unit to which NX Units are connected for the maximum I/O power supply current of the CPU Rack.

To confirm this and to calculate the I/O power supply capacity, calculate the total current consumption of the I/O power supply from the NX bus.

The total current consumption from I/O power supply from the NX bus is the total sum of current consumption from I/O power supply of the NX Unit that supplies the I/O power from the NX bus, the current consumption of each applicable I/O circuit, and current consumption of any connected external devices.

Note that the current consumption from I/O power supply indicated in the data sheet for each Unit type does not include the load current of any external connection load and current consumption of any connected external devices.

The total current consumption from I/O power supply of the IO-Link Master Unit is calculated as described below.

• Total Current Consumption from I/O Power Supply of the IO-Link Master Unit

= (Current consumption from I/O power supply of the IO-Link Master Unit) + (Input current × Number of input points used) + (Load current × Number of output points used) + (Total current consumption of connected external devices)

Refer to *A-1 Data Sheet* on page A-2 for the current consumption from the I/O power supply and input current for each model of the IO-Link Master Units.



Precautions for Safe Use

The I/O power supply current for the CPU Rack with an NX-series CPU Unit should be within the range specified for the CPU Unit model. For example, use the NX1P2 CPU Unit with a current of 4 A or less. Using the currents that are outside of the specifications may cause failure or corruption. Refer to the user's manual for the connected CPU Unit for the I/O power supply current for the CPU Unit model.

4-3 Wiring the Terminals

This section describes how to wire the terminals on the IO-Link Master Unit.

WARNING

Make sure that the voltages and currents that are input to the Units and slaves are within the specified ranges. Inputting voltages or currents that are outside of the specified ranges may cause accidents or fire.



CAUTION

Be sure that all terminal screws and cable connector screws are tightened to the torque specified in the relevant manuals. The loose screws may result in fire or malfunction.



4-3-1 Wiring to the Screwless Clamping Terminal Blocks

This section describes how to connect wires to the screwless clamping terminal blocks, the installation and removing methods, and functions for preventing incorrect attachment.

You can connect ferrules that are attached to the twisted wires to the screwless clamping terminal block. You can also connect the twisted wires or the solid wires to the screwless clamping terminal block. If you connect the ferrules, all you need to do to connect the wires is to insert the ferrules into the terminal holes.

Wiring Terminals

The terminals to be wired are as follows.

- I/O power supply terminals
- I/O terminals

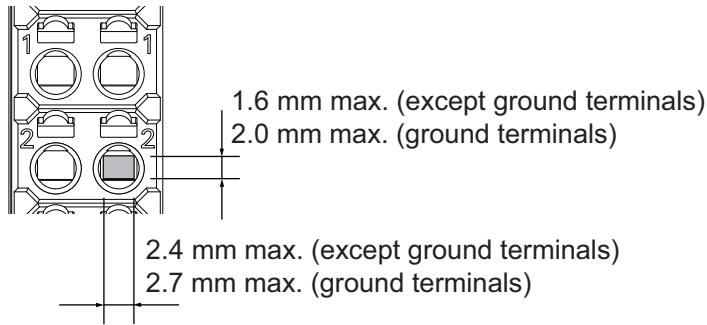
Applicable Wires

You can connect twisted wires, solid wires, or ferrules attached to twisted wires to the screwless clamping terminal block. The applicable wire dimensions and preparation methods are given below.

● Dimensions of Wires Connected to the Terminal Block

The dimensions of wires that you can connect into the terminal holes of the screwless clamping terminal block are as in the figure below.

Process the applicable wires that are specified in the following description to apply the dimensions.



● Using Ferrules

If you use ferrules, attach the twisted wires to them.

Observe the application instructions for your ferrules for the wire stripping length when attaching ferrules.

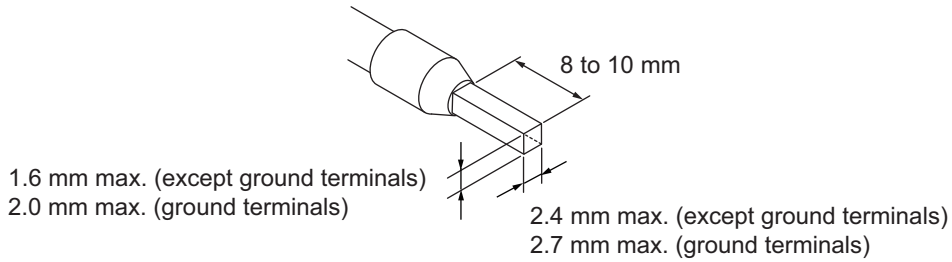
Always use plated one-pin ferrules. Do not use unplated ferrules or two-pin ferrules.

The applicable ferrules, wires, and crimping tools are given in the following table.

Terminal type	Manufacturer	Ferrule model	Applicable wire (mm ² (AWG))	Crimping tool
All terminals except ground terminals	Phoenix Contact	AI0,34-8	0.34 (#22)	Phoenix Contact (Applicable wire sizes are given in parentheses.) CRIMPFOX 6 (0.25 to 6 mm ² , AWG24 to 10)
		AI0,5-8	0.5 (#20)	
		AI0,5-10		
		AI0,75-8	0.75 (#18)	
		AI0,75-10		
		AI1,0-8	1.0 (#18)	
		AI1,0-10		
		AI1,5-8	1.5 (#16)	
AI1,5-10				
Ground terminals		AI2,5-10	2.0*1	
All terminals except ground terminals	Weidmuller	H0.14/12	0.14 (#26)	Weidmuller (Applicable wire sizes are given in parentheses.) PZ6 Roto (0.14 to 6 mm ² , AWG26 to 10)
		H0.25/12	0.25 (#24)	
		H0.34/12	0.34 (#22)	
		H0.5/14	0.5 (#20)	
		H0.5/16		
		H0.75/14	0.75 (#18)	
		H0.75/16		
		H1.0/14	1.0 (#18)	
		H1.0/16		
		H1.5/14	1.5 (#16)	
H1.5/16				

*1. Some AWG14 wires exceed 2.0 mm² and cannot be used in the screwless clamping terminal block.

When you use any ferrules other than those in the above table, crimp them to the twisted wires so that the following processed dimensions are achieved.



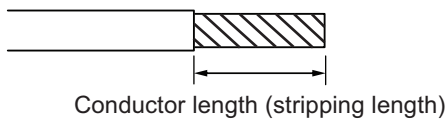
● **Using Twisted Wires/Solid Wires**

If you use twisted wires or solid wires, use the following table to determine the correct wire specifications.

Terminals		Wire type				Wire size	Conductor length (stripping length)
		Twisted wires		Solid wires			
Classification	Current capacity	Plated	Unplated	Plated	Unplated		
All terminals except ground terminals	2 A max.	Possible	Possible	Possible	Possible	0.08 to 1.5 mm ² (AWG28 to 16)	8 to 10 mm
	Greater than 2 A and 4 A or less		Not possible	Possible* ¹	Not possible		
	Greater than 4 A	Possible* ¹		Not possible			
Ground terminals	---	Possible	Possible	Possible* ²	Possible* ²	2.0 mm ²	9 to 10 mm

*1. Secure wires to the screwless clamping terminal block. Refer to *Securing Wires* on page 4-18 for how to secure wires.

*2. With the NX-TB□□□1 Terminal Block, use twisted wires to connect the ground terminal. Do not use a solid wire.

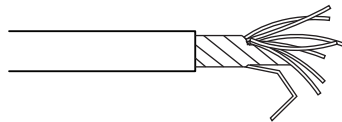




Precautions for Correct Use

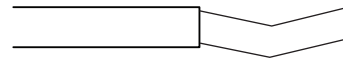
- Use cables with suitable wire sizes for the carrying current. There are also restrictions on the current due to the ambient temperature. Refer to the manuals for the cables and use the cables correctly for the operating environment.
- For twisted wires, strip the sheath and twist the conductor portion. Do not unravel or bend the conductor portion of twisted wires or solid wires.

NG



Unravel wires

NG



Bend wires



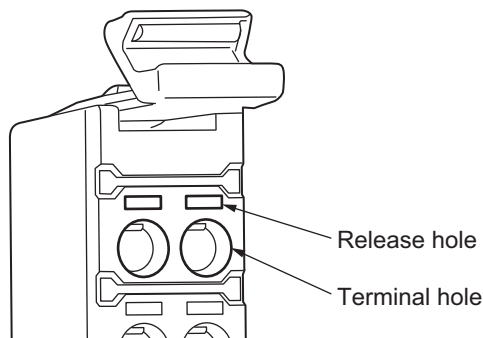
Additional Information

If more than 2 A will flow on the wires, use plated wires or use ferrules.

Connecting and Removing Wires

This section describes how to connect and remove wires.

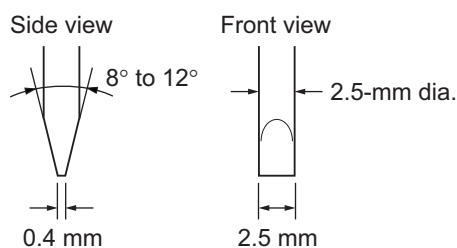
● Terminal Block Parts and Names



● Required Tools

Use a flat-blade screwdriver to connect and remove wires.

Use the following flat-blade screwdriver.



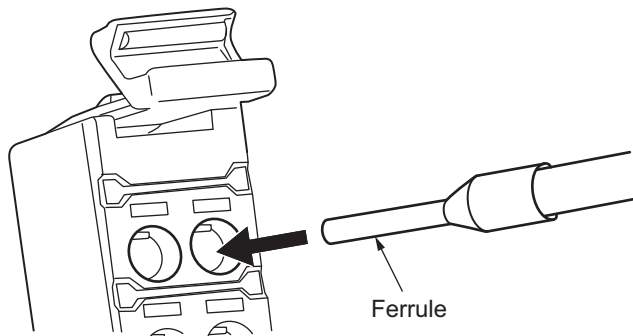
Recommended screwdriver

Model	Manufacturer
SZF 0-0,4X2,5	Phoenix Contact

● Connecting Ferrules

Insert the ferrule straight into the terminal hole.

You do not need to insert a flat-blade screwdriver into the release hole.

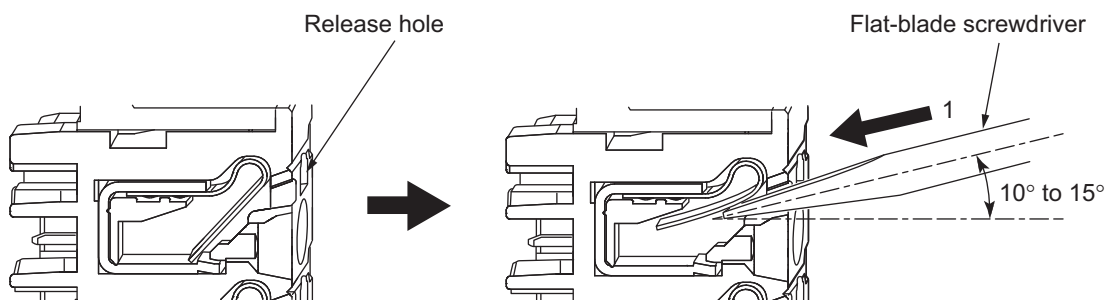


After you make a connection, make sure that the ferrule is securely connected to the terminal block.

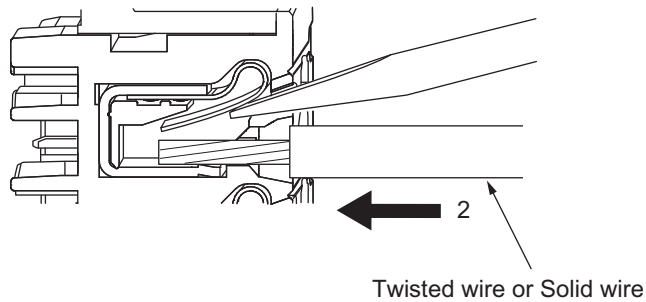
● Connecting Twisted Wires or Solid Wires

Use the following procedure to connect the twisted wires or solid wires to the terminal block.

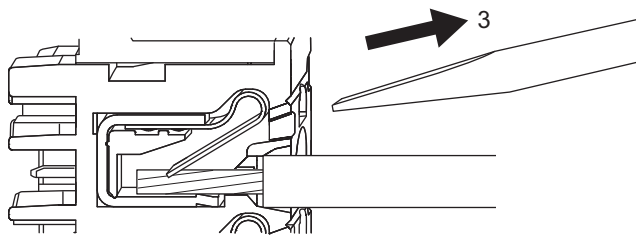
- 1 Press a flat-blade screwdriver diagonally into the release hole.
The optimal angle for insertion is between 10° to 15°. If the screwdriver is inserted correctly, you should feel resistance from the spring inside the release hole.



- 2 Leave the flat-blade screwdriver pressed into the release hole and insert the twisted wire or the solid wire into the terminal hole.
Insert the stripped portion of the wire all the way into the terminal hole to prevent shorting.



- 3** Remove the flat-blade screwdriver from the release hole.



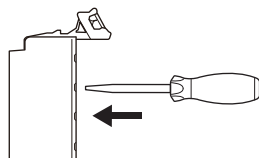
After you make a connection, lightly pull the twisted wire or the solid wire to make sure that the wire is securely connected to the terminal block.



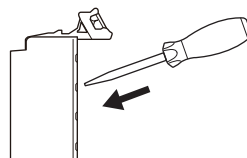
Precautions for Safe Use

- Do not press the flat-blade screwdriver straight into the release holes on a screwless clamping terminal block. Doing so may damage the terminal block.

NG

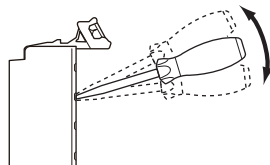


OK

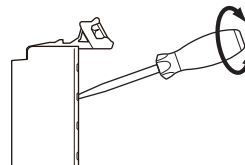


- When you insert a flat-blade screwdriver into a release hole on a screwless clamping terminal block, press it down with a force of 30N or less. Applying excessive force may damage the terminal block.
- Do not incline or twist the flat-blade screwdriver while it is in a release hole on a screwless clamping terminal block. Doing so may damage the terminal block.

NG



NG



- Make sure that all wiring is correct.
- Do not bend the cable forcibly. Doing so may break the cables.

● **Securing Wires**

It is necessary to secure wires to the screwless clamping terminal block depending on the wire types that are used or the current flows on the wires.

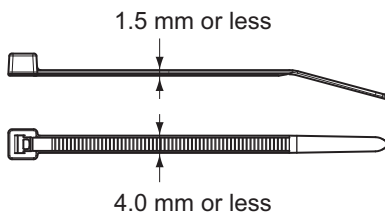
The following table gives the necessity for securing wires.

Terminals		Wire type				
Classifica- tion	Current ca- pacity	Ferrule	Twisted wires		Solid wires	
			Plated	Unplated	Plated	Unplated
All terminals except ground termi- nals	2 A max.	No	No	No	No	No
	Greater than 2 A and 4 A or less			Yes	Not possible	Yes
			Greater than 4 A		Not possible	
Ground termi- nals	---		No	No	No	No

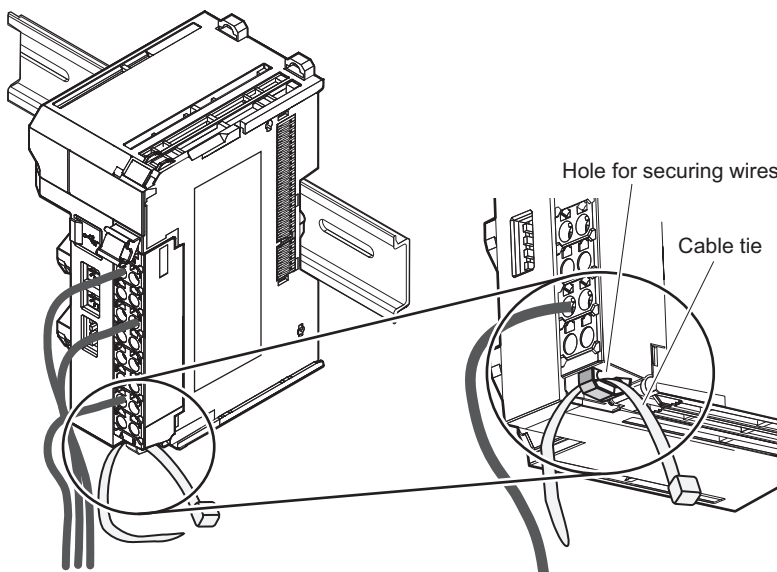
Use the following procedure to secure the wires.

1 Prepare a cable tie.

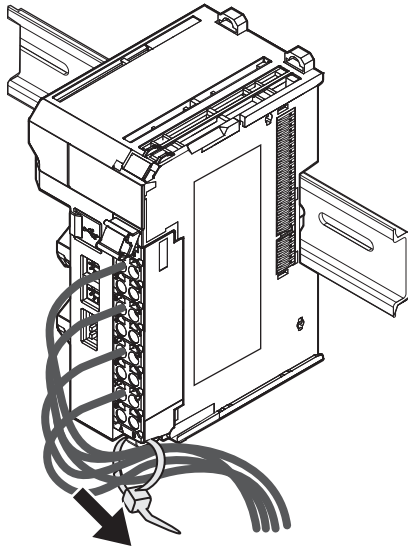
A cable tie can be used with a width of 4 mm or less and a thickness of 1.5 mm or less. Select a cable tie correctly for the operating environment.



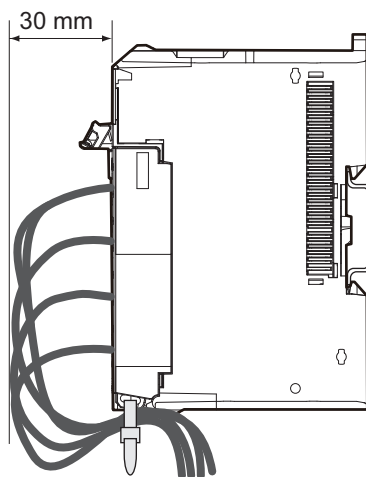
2 Pass a cable tie through the hole for securing wires on the bottom of the screwless clamping terminal block.



- 3** Bundle the wires with a cable tie and secure them to the screwless clamping terminal block.



Secure wires within the range of 30 mm from the screwless clamping terminal block.

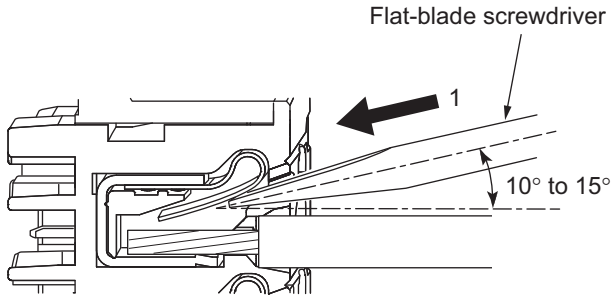


● Removing Wires

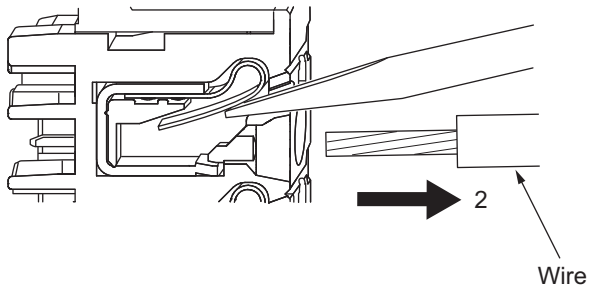
Use the following procedure to remove the wires from the terminal block. The removal method is the same for ferrules, twisted wires, and solid wires.

If wires are secured firmly to the terminal block, release them first.

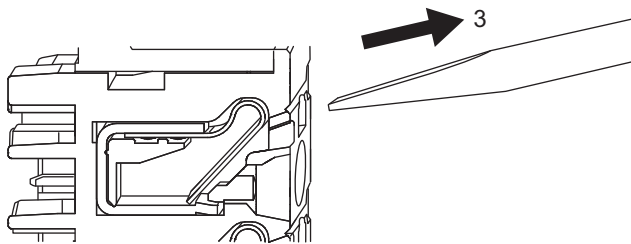
- 1** Press the flat-blade screwdriver diagonally into the release hole. The optimal angle for insertion is between 10° to 15°. If the screwdriver is inserted correctly, you should feel resistance from the spring inside the release hole.



- 2** Insert the flat-blade screwdriver into the release hole and remove the wire from the terminal hole.



- 3** Remove the flat-blade screwdriver from the release hole.

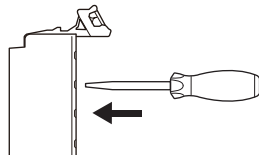




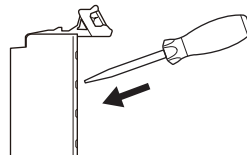
Precautions for Safe Use

- Do not press the flat-blade screwdriver straight into the release holes on a screwless clamping terminal block. Doing so may damage the terminal block.

NG

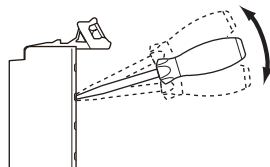


OK

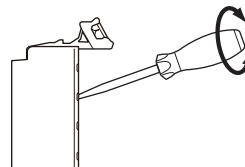


- When you insert a flat-blade screwdriver into a release hole on a screwless clamping terminal block, press it down with a force of 30N or less. Applying excessive force may damage the terminal block.
- Do not incline or twist the flat-blade screwdriver while it is in a release hole on a screwless clamping terminal block. Doing so may damage the terminal block.

NG



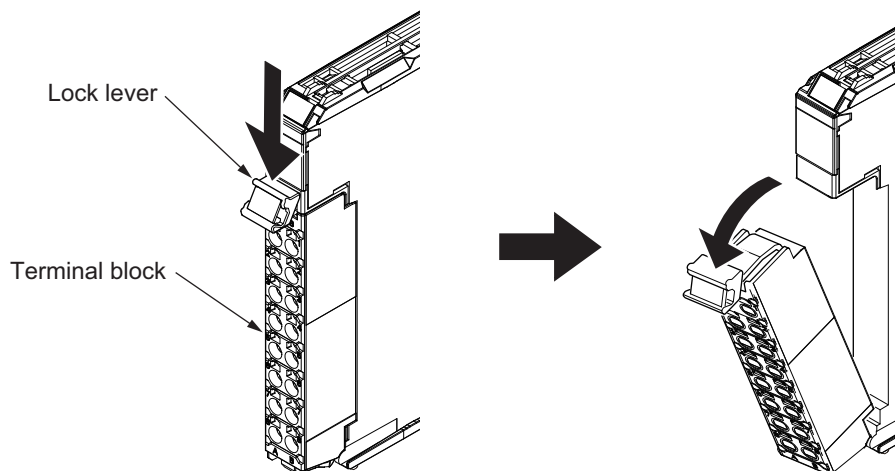
NG



- Make sure that all wiring is correct.
- Do not bend the cable forcibly. Doing so may break the cables.

Removing a Terminal Block

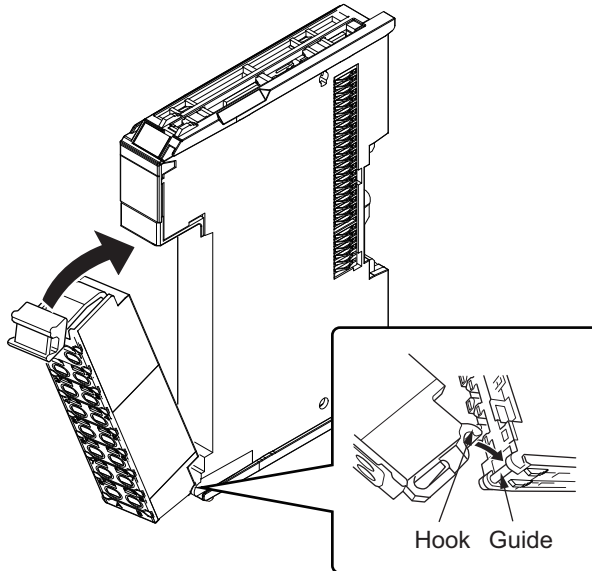
- Press the lock lever on the terminal block and pull out the top of the terminal block to remove it.



Attaching a Terminal Block

- 1** Mount the terminal block hook that is applicable to each Unit model on the guide at the bottom of the NX Unit, lift up the terminal block, and press in on the top of the terminal block until you hear it engage.

The terminal block will click into place on the Unit. After you mount the terminal block, make sure that it is locked to the Unit.



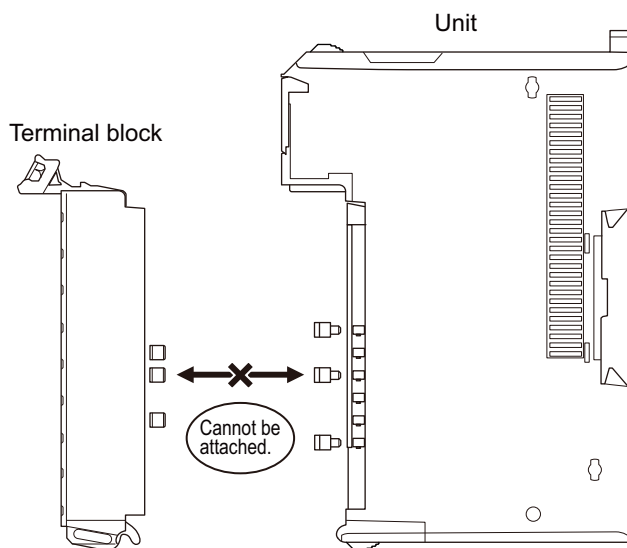
Refer to *A-4 List of Screwless Clamping Terminal Block Models* on page A-41 for the applicable terminal blocks.

4-3-2 Preventing Incorrect Attachment of Terminal Blocks

In order to prevent unintentionally installing the wrong terminal block, you can limit the combination of a Unit and a terminal block.

Insert three Coding Pins (NX-AUX02) into three of the six incorrect attachment prevention holes on the Unit and on the terminal block. Insert these pins into positions so that they do not interfere with each other when the Unit and terminal block are connected to each other.

You can use these pins to create a combination in which the wrong terminal block cannot be attached because the pin patterns do not match.



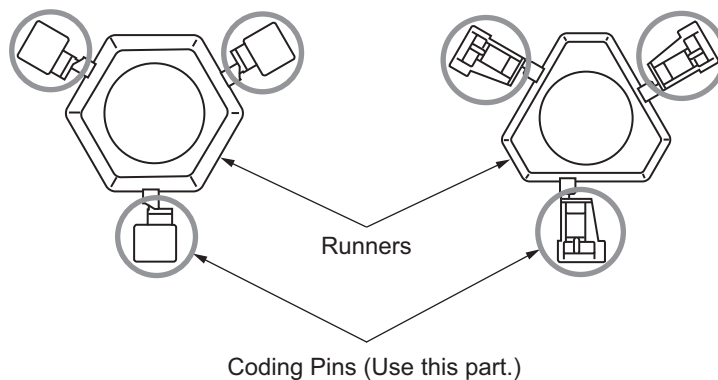
Types of Coding Pins

There are two types of Coding Pins, both with their own unique shape: one for terminal blocks and one for Units.

Three pins come with each runner.

For terminal block

For Unit



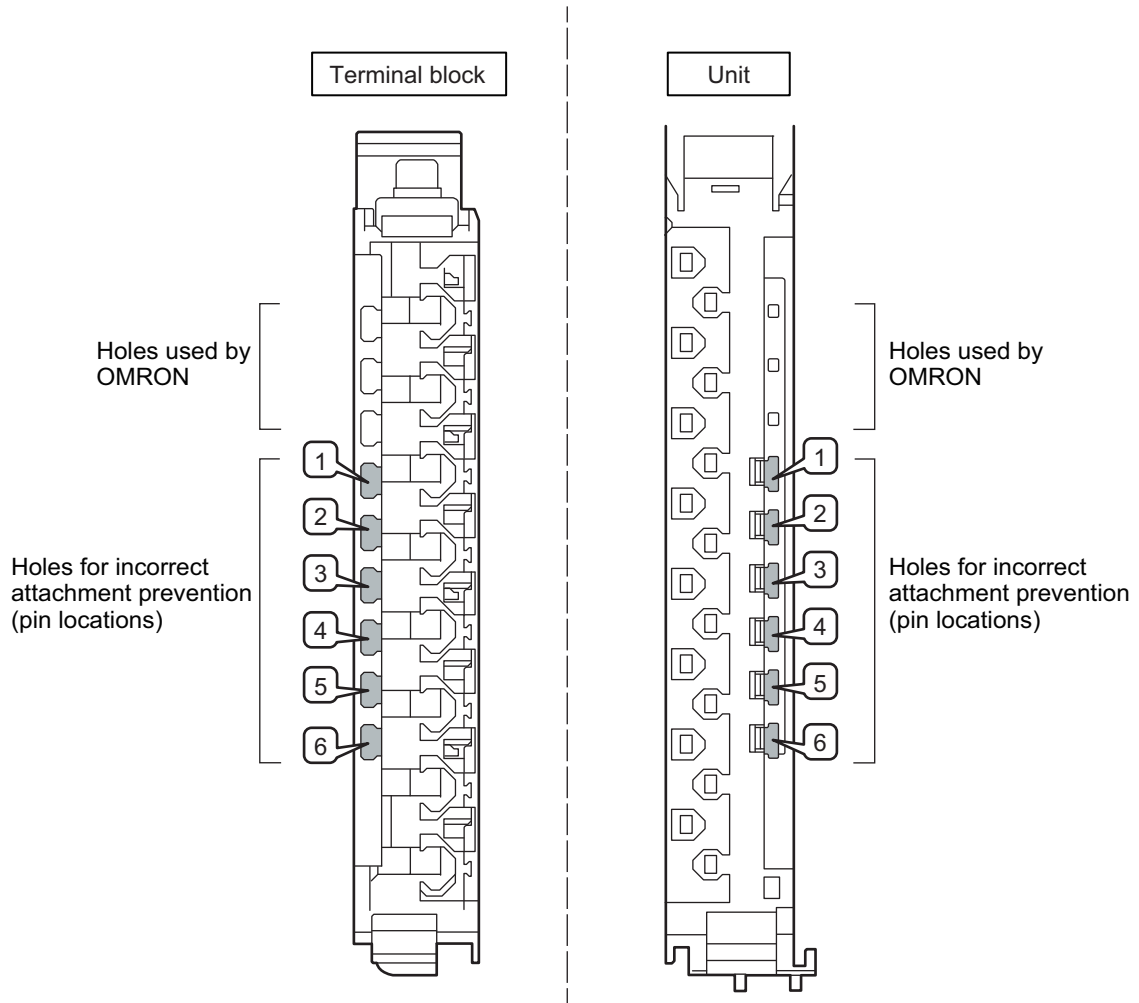
Use the following Coding Pins.

Name	Model	Specification
Coding Pin	NX-AUX02	For 10 Units (Terminal block: 30 pins, Unit: 30 pins)

Insertion Locations and Patterns of Coding Pins

Insert three Coding Pins each on the terminal block and on the Unit at the positions designated by the numbers 1 through 6 in the figure below.

As shown in the following table, there are 20 unique pin patterns that you can use.



○: Pin inserted

Pattern	Pin locations for terminal block						Pin locations for Unit					
	1	2	3	4	5	6	1	2	3	4	5	6
No.1	○	○	○							○	○	○
No.2	○	○		○					○		○	○
No.3	○	○			○				○	○		○
No.4	○	○				○			○	○	○	
No.5	○		○	○				○			○	○
No.6	○		○		○			○		○		○
No.7	○		○			○		○		○	○	
No.8	○			○	○			○	○			○
No.9	○			○		○		○	○		○	
No.10	○				○	○		○	○	○		
No.11		○	○	○			○				○	○
No.12		○	○		○		○			○		○
No.13		○	○			○	○			○	○	
No.14		○		○	○		○		○			○
No.15		○		○		○	○		○		○	
No.16		○			○	○	○		○	○		
No.17			○	○	○		○	○				○
No.18			○	○		○	○	○			○	
No.19			○		○	○	○	○		○		
No.20			○	○	○	○	○	○	○			

Two sets of NX-AUX02 Pins are required to make the maximum of 20 pin patterns. (One set for 10 Units.)



Precautions for Correct Use

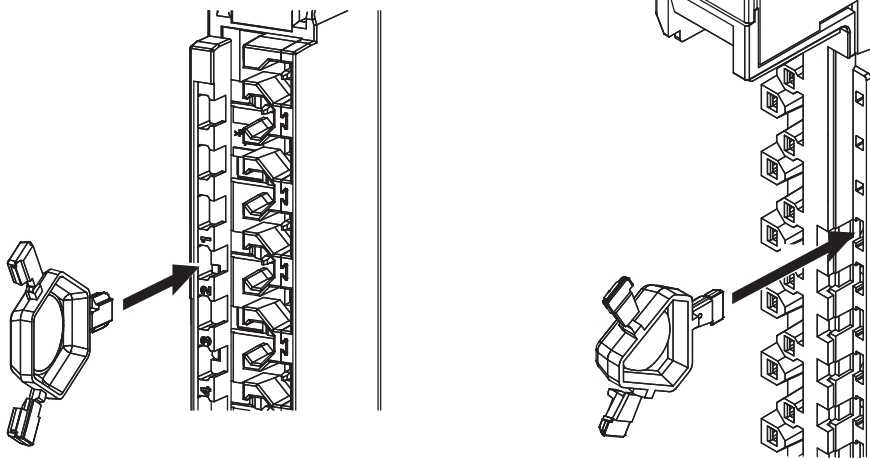
- The holes not designated by the numbers 1 through 6 in the above figure are used by OMRON. If you insert any Coding Pins into the holes reserved for use by OMRON, you will not be able to mount the terminal block to the Unit.
- Do not use Coding Pins that have been attached and removed.

Inserting the Coding Pins

- 1** Hold the pins by the runner and insert a pin into one of the incorrect attachment prevention holes on the terminal block or on the Unit.

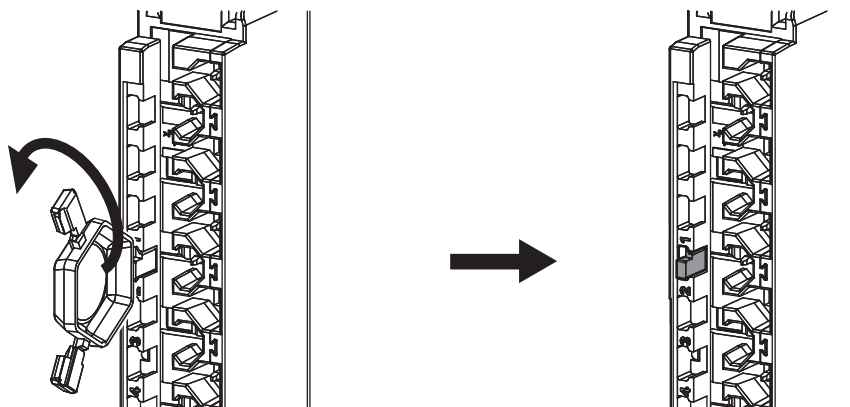
Terminal block

Unit

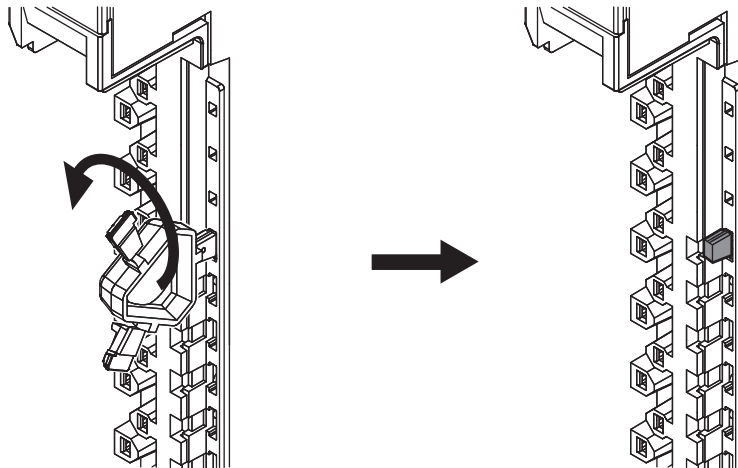


- 2** Rotate the runner to break off the Coding Pin.

Terminal block



Unit



4-3-3 Checking the Wiring

Check the wiring by reading input data or writing output data from Slave Terminals using the Watch Tab Page of the Support Software.

For inputs in SIO (DI) Mode or digital inputs for pin 2, you can turn ON and OFF the input from the external device that is connected to the Unit you need to check and monitor the results.

For SIO (DO) Mode, you can control the I/O outputs to the Unit you need to check and confirm the operation of the connected external device.

For details on monitoring and I/O output operations using the Support Software, refer to the operation manual for the Support Software that you are using.



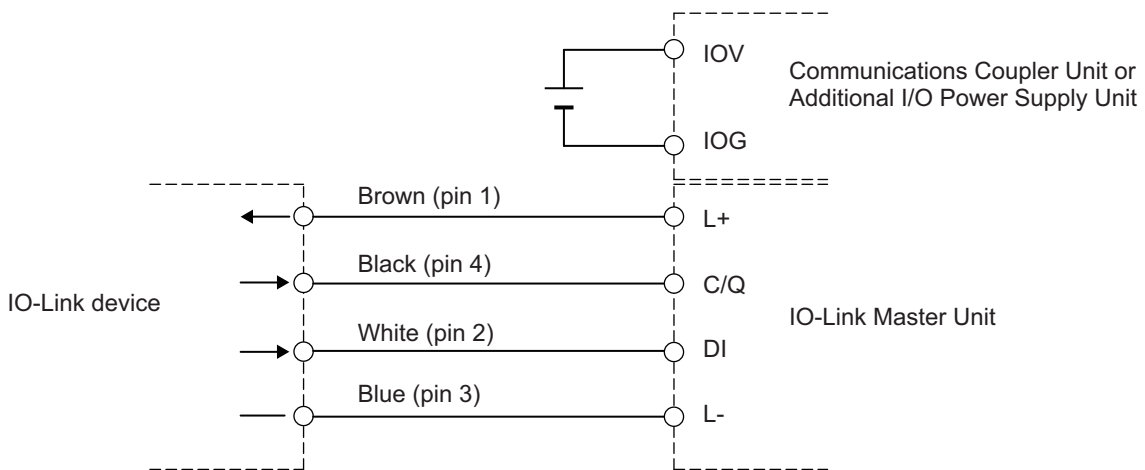
Additional Information

- In the Sysmac Studio, you can check the wiring from the I/O Map or Watch Tab Page. If you use the I/O Map, you can also monitor and perform forced refreshing even if the variables are not defined or the algorithms are not created. Therefore, you can easily check the wiring. Refer to the *Sysmac Studio Version 1 Operation Manual (Cat. No. W504)* for details on monitoring and forced refreshing operations.
- Some Communications Coupler Units support I/O checking that allows you to check wiring with only the Slave Terminal. Refer to the user's manual of the Communications Coupler Unit for detailed information on the support and functionality of I/O checking for your Communications Coupler Unit.

4-4 Wiring Examples and Wiring Precautions

This section gives some wiring examples for the IO-Link Master Unit and precautions for wiring. For the terminal array for the IO-Link Master Unit, refer to the terminal connection diagram in *A-1-2 IO-Link Master Unit* on page A-2.

4-4-1 IO-Link Mode

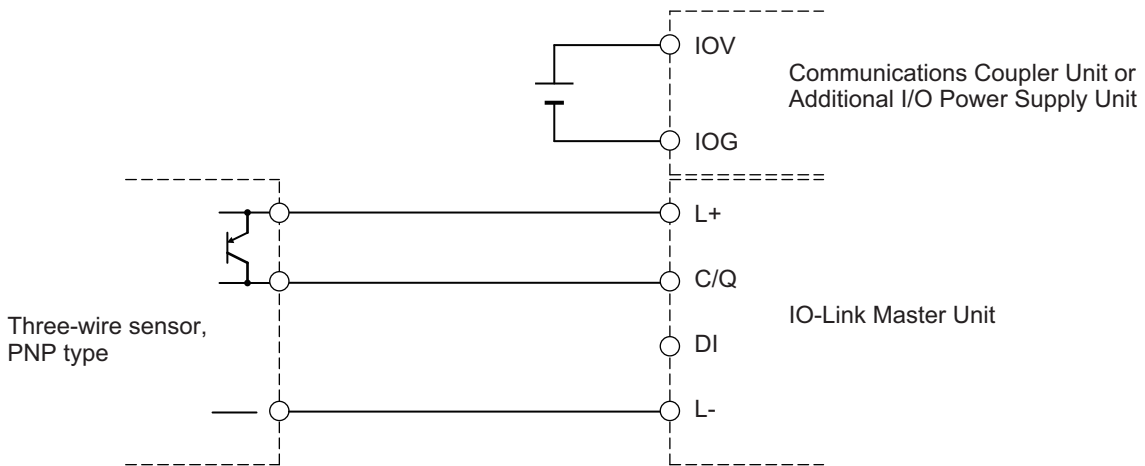


- Note 1.** If you do not use a signal connection for digital inputs for pin 2, a DI (white) connection is not required.
- Note 2.** Refer to the terminal connection diagram for Unit specifications in *A-1-2 IO-Link Master Unit* on page A-2 for details on the terminal array of the IO-Link Master Unit.

4-4-2 SIO (DI) Mode

Wiring Three-wire Sensors

Power is supplied to the sensors from the IO-Link Master Unit.

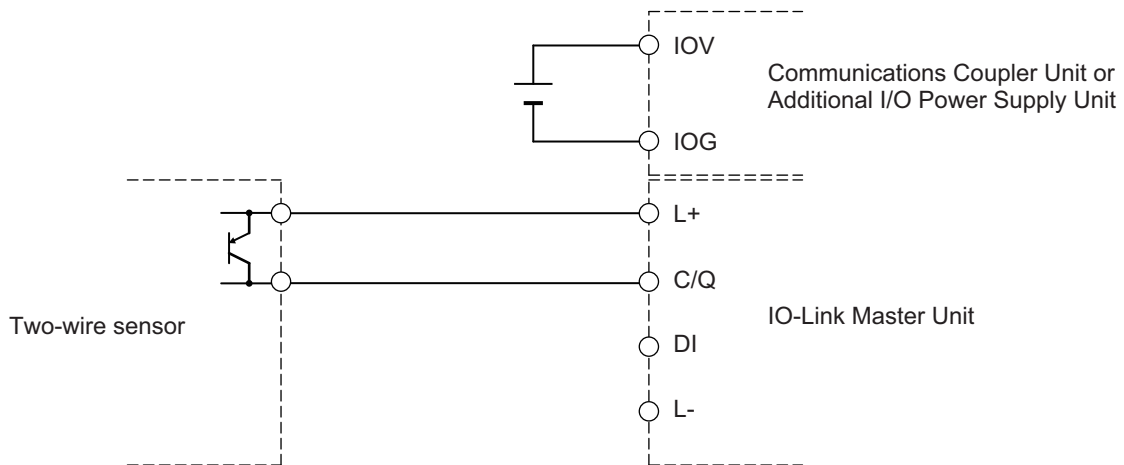


- Note 1.** The DI terminal cannot be used.

Note 2. Refer to the terminal connection diagram for Unit specifications in *A-1-2 IO-Link Master Unit* on page A-2 for details on the terminal array of the IO-Link Master Unit.

Wiring Two-wire Sensors

Power is supplied to the sensors from the IO-Link Master Unit.

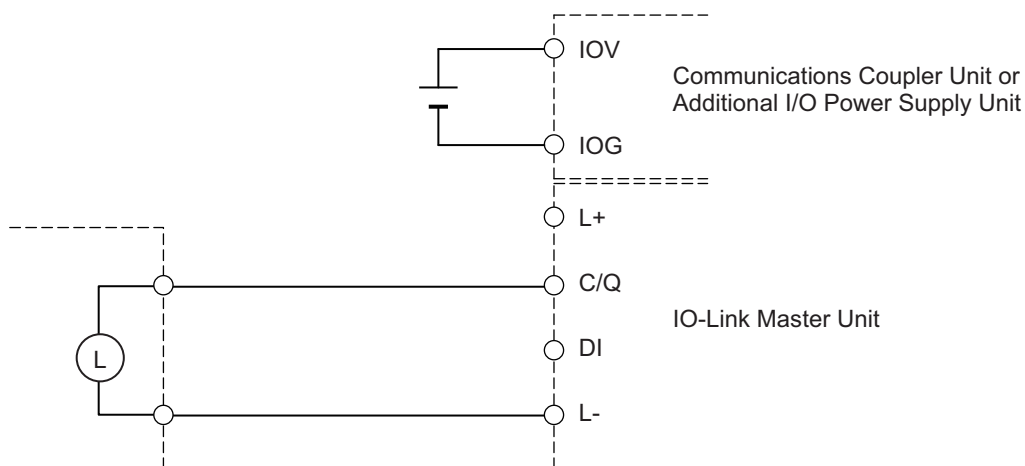


Note 1. The DI terminal cannot be used.

Note 2. Refer to the terminal connection diagram for Unit specifications in *A-1-2 IO-Link Master Unit* on page A-2 for details on the terminal array of the IO-Link Master Unit.

4-4-3 SIO (DO) Mode

Wiring Output Devices



Note 1. The DI terminal cannot be used.

Note 2. Refer to the terminal connection diagram for Unit specifications in *A-1-2 IO-Link Master Unit* on page A-2 for details on the terminal array of the IO-Link Master Unit.

4-5 Wiring Precautions

4-5-1 Wiring Precautions for SIO (DI) Mode

- **Precautions on Sensor Surge Current**

An incorrect input may occur due to sensor inrush current if a sensor is turned ON after the DC Input Unit has started up to the point where inputs are possible.

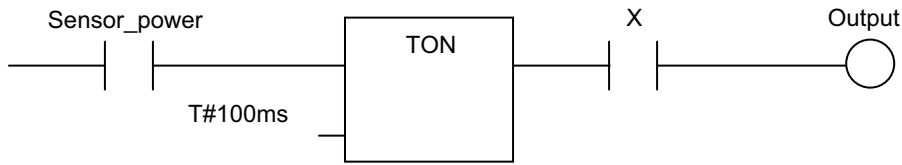
Determine the time required for sensor operation to stabilize after the sensor is turned ON and take appropriate measures, such as inserting an ON delay into the user program after turning ON the sensor.

A programming example is shown below.

The sensor's power supply voltage is used as the input bit to *Sensor_power*.

A 100-ms timer delay (the time required for an OMRON Proximity Sensor to stabilize) is created in the user program.

After the timer changes to TRUE, input bit X causes the output *Output* to change to TRUE after the input of the sensor changes to TRUE.



4-5-2 Wiring Precautions for SIO (DO) Mode

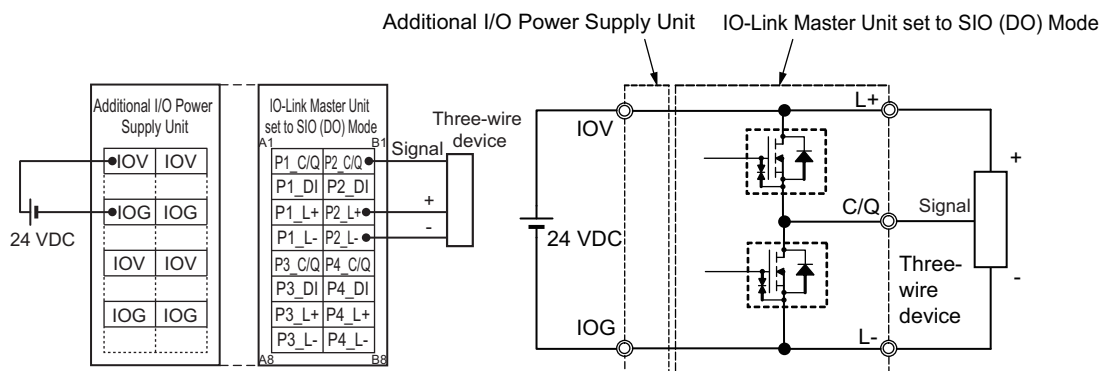
- **Push-pull Outputs**

When the communications mode of an IO-Link Master Unit port is set to SIO (DO) Mode, a push-pull output is used to increase the speed of the output ON/OFF response.

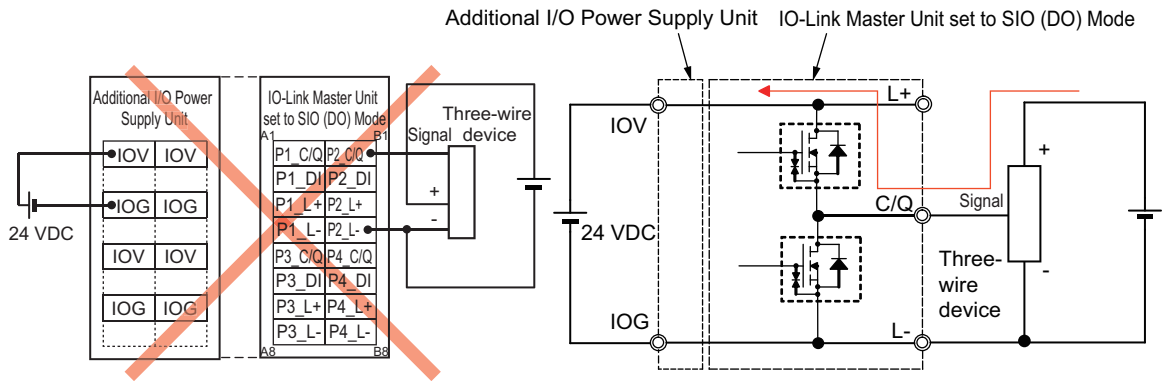
When the communications mode of an IO-Link Master Unit port is set to SIO (DO) Mode, use the same load power supply for the I/O power supply and the connected external device.

If different power supplies are used, the current may flow into the output bit via the diode built into the I/O circuit and cause the IO-Link Master Unit to malfunction.

- **Good Example**



• Bad Example



5

I/O Refreshing

This section describes the types and functions of I/O refreshing for the NX Units.

5-1	I/O Refreshing	5-2
5-1-1	I/O Refreshing from the CPU Unit to NX Units.....	5-2
5-1-2	I/O Refreshing from the CPU Unit or Industrial PC to Slave Terminals.....	5-3
5-2	I/O Refreshing Methods	5-5
5-2-1	Types of I/O Refreshing Methods.....	5-5
5-2-2	Setting the I/O Refreshing Methods.....	5-5
5-2-3	Refreshing Operation of the IO-Link Master Unit.....	5-5
5-3	Communications Performance	5-7
5-3-1	Maximum I/O Response Time When the EtherCAT Coupler Unit Is Connected.....	5-7
5-3-2	Maximum I/O Response Time When the EtherNet/IP Coupler Unit Is Connected.....	5-8
5-3-3	Maximum I/O Response Time When the CPU Unit Is Connected.....	5-10
5-3-4	Determining the IO-Link Communications Cycle.....	5-11

5-1 I/O Refreshing

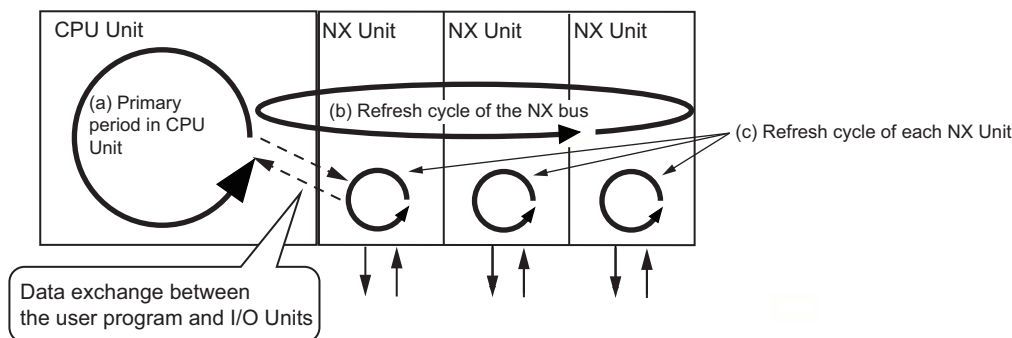
This section describes I/O refreshing for the NX Units.

5-1-1 I/O Refreshing from the CPU Unit to NX Units

An NX-series CPU Unit cyclically performs I/O refreshing with the NX Units.

The following period and two cycles affect operation of the I/O refreshing between the CPU Unit and the NX Units.

- a. Primary period in CPU Unit
- b. Refresh cycle of the NX bus
- c. Refresh cycle of each NX Unit



The following operation occurs.

- The refresh cycle of the NX bus in item (b) is automatically synchronized with the primary period of the CPU Unit in item (a).
- The refresh cycle of each NX Unit in item (c) depends on the I/O refreshing method which is given below.

Refer to the *NJ/NX-series CPU Unit Software User's Manual (Cat. No. W501)* for detailed information on I/O refreshing between the CPU Unit and the NX Units.

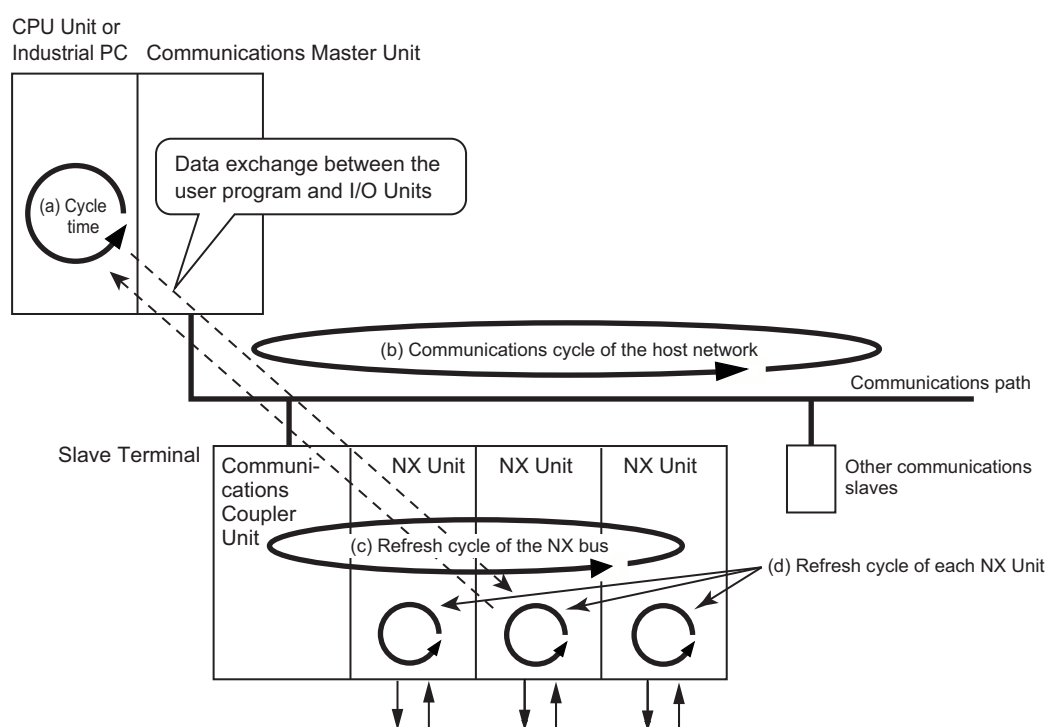
Refer to *5-3 Communications Performance* on page 5-7 for details on I/O response times for NX Units on CPU Racks.

5-1-2 I/O Refreshing from the CPU Unit or Industrial PC to Slave Terminals

The CPU Unit or the Industrial PC cyclically performs I/O refreshing with the Slave Terminal through the Communications Master Unit and the Communications Coupler Unit.

The following four cycles affect operation of the I/O refreshing between the NX Unit on a Slave Terminal and the CPU Unit or Industrial PC.

- Cycle time of the CPU Unit or Industrial PC
- Communications cycle of the host network
- Refresh cycle of the NX bus
- Refresh cycle of each NX Unit



The cycle time of the CPU Unit or Industrial PC and communications cycle of the host network and the I/O refresh cycle of the NX bus are determined by the CPU Unit or Industrial PC types and the communications types.

The following explains operations when the built-in EtherCAT port on the NJ/NX-series CPU Unit or NY-series Industrial PC is used for communications with an EtherCAT Slave Terminal, with symbols in the figure.

Refer to the user's manual for the connected Communications Coupler Unit for details on the operation of I/O refreshing on Slave Terminals other than EtherCAT Slave Terminals.

Refer to the *NX-series EtherCAT Coupler Unit User's Manual (Cat. No. W519)* for detailed information on I/O refreshing between the built-in EtherCAT port and EtherCAT Slave Terminals.

Refer to 5-3 *Communications Performance* on page 5-7 for the I/O response times of IO-Link Master Units on Slave Terminals.

Operation of I/O Refreshing with NX-series CPU Units

The following shows the operation of I/O refreshing when the built-in EtherCAT port on the NX-series CPU Unit is used for communications with an EtherCAT Slave Terminal.

- The process data communications cycle in item (b) and the refresh cycle of the NX bus in item (c) are automatically synchronized with the primary period or the task period of the priority-5 periodic task of the CPU Unit in item (a). *1
- The refresh cycle of each NX Unit in item (d) depends on the I/O refreshing method which is given below.

*1. This applies when the distributed clock is enabled in the EtherCAT Coupler Unit.

The priority-5 periodic tasks must be supported by the connected CPU Unit model. Refer to descriptions of designing tasks in the *NJ/NX-series CPU Unit Software User's Manual (Cat. No. W501)* for information on the periodic tasks supported by each NX-series CPU Unit model.

Operation of I/O Refreshing with NJ-series CPU Units or NY-series Industrial PCs

The following shows the operation of I/O refreshing when the built-in EtherCAT port on the NJ-series CPU Unit or NY-series Industrial PC is used for communications with an EtherCAT Slave Terminal.

- The process data communications cycle in item (b) and the refresh cycle of the NX bus in item (c) are automatically synchronized with the primary period of the CPU Unit or Industrial PC in item (a). *1
- The refresh cycle of each NX Unit in item (d) depends on the I/O refreshing method which is given below.

*1. This applies when the distributed clock is enabled in the EtherCAT Coupler Unit.

5-2 I/O Refreshing Methods

This section describes I/O refreshing methods for the IO-Link Master Unit.

5-2-1 Types of I/O Refreshing Methods

The I/O refreshing methods that you can use between the CPU Unit or Communications Coupler Unit and the NX Units are determined by the CPU Unit or Communications Coupler Unit that is used. In the IO-Link Master Unit, the following Free-Run refreshing is always used.

I/O refreshing method	Outline of operation
Free-Run refreshing	With this I/O refreshing method, the refresh cycle of the NX bus and the I/O refresh cycles of the NX Units are asynchronous.

5-2-2 Setting the I/O Refreshing Methods

Setting Methods between the CPU Unit and the NX Units

How to set an I/O refreshing method between the CPU Unit and the NX Units is determined by the connected CPU Unit.

Refer to descriptions of I/O refreshing methods in the software user's manual for the connected CPU Unit for information on the setting method for I/O refreshing between the CPU Unit and the NX Units. For example, in the NX-series NX1P2 CPU Unit, there is no setting for I/O refreshing.

Setting Methods between the Communications Coupler Unit and the NX Units

How to set an I/O refreshing method between the Communications Coupler Unit and the NX Units is determined by the connected Communications Coupler Unit.

Refer to the user's manual for the connected Communications Coupler Unit for information on how to set an I/O refreshing method between the Communications Coupler Unit and the NX Units.

An example when the EtherCAT Coupler Unit is connected to the built-in EtherCAT port on an NJ/NX-series CPU Unit or NY-series Industrial PC is shown below.

The I/O refreshing method between the EtherCAT Coupler Unit and each NX Unit depends on whether the DC is enabled in the EtherCAT Coupler Unit.

DC enable setting in the EtherCAT Coupler Unit	NX-series IO-Link Master Unit
Enabled (DC Mode)	Free-Run refreshing
Disabled (Free-Run Mode)	Free-Run refreshing

5-2-3 Refreshing Operation of the IO-Link Master Unit

An NX-series IO-Link Master Unit uses I/O refreshing to refresh I/O data with the CPU Unit or Communications Coupler Unit.

Refer to the software user's manual of the connected CPU Unit or the user's manual of the connected Communications Coupler Unit for information on the overall operation of communications including I/O refreshing between the NX-series IO-Link Master Unit and the CPU Unit or Communications Coupler Unit.

5-3 Communications Performance

This section describes the I/O response times of the IO-Link Master Unit.

The I/O response time is the time required for the following processing: The CPU Unit processes an external signal input to one NX Unit, and another NX Unit outputs the processed result as an external signal.

5-3-1 Maximum I/O Response Time When the EtherCAT Coupler Unit Is Connected

This section describes the maximum I/O response time of the IO-Link Master Unit when an EtherCAT Coupler Unit is connected.

For information on timing charts and calculation methods for I/O response times for NX Units in EtherCAT Slave Terminals, refer to *Free-Run Refreshing I/O Response Times in the NX-series EtherCAT Coupler Unit User's Manual (Cat. No. W519)*.

The following NX Unit parameters are necessary to calculate I/O response times.

- Tnx-InProc: Input data processing time of the NX Unit
- Tnx-Indelay: Input delay time of the NX Unit
- Tnx-OutProc: Output data processing time of the NX Unit
- Tnx-Outdelay: Output delay time of the NX Unit

The parameter values and calculation methods for the IO-Link Master Unit are given below.

- Input Data

I/O data type	IO-Link process input data from IO-Link communications in IO-Link Mode	Digital input data for pin 2 in IO-Link Mode	Digital input data in SIO (DI) Mode
Parameter			
Tnx-InProc	0 [ms]		

I/O data type	IO-Link process input data from IO-Link communications in IO-Link Mode	Digital input data for pin 2 in IO-Link Mode	Digital input data in SIO (DI) Mode
Parameter			
Tnx-Indelay	$0.072 \times (\text{Total size (in bytes) of IO-Link process input data from IO-Link communications from port 1 to port 4}) + 2.61 + \text{IO-Link communications cycle}^{*1}$ [ms]	$0.072 \times (\text{Total size (in bytes) of IO-Link process input data from IO-Link communications from port 1 to port 4}) + 2.61 + \text{Input filter time}$ [ms]	
	<p>Example: When port 1 through port 4 are all used by IO-Link devices (sensors) with an IO-Link input data size of 2 bytes, and the IO-Link communications cycle for those IO-Link devices (sensors) is 2.1 [ms]: $0.072 \times 2 \text{ bytes} \times 4 \text{ devices} + 2.61 + 2.1 = 5.286$ [ms]</p>	<p>Example: When port 1 through port 4 are all used by IO-Link devices (sensors) with an IO-Link input data size of 2 bytes and no input filter is used: $0.072 \times 2 \text{ bytes} \times 4 \text{ devices} + 2.61 = 3.186$ [ms]</p>	<p>Example: When port 1 through port 3 are used by IO-Link devices with an IO-Link input data size of 2 bytes and port 4 is used by a non-IO-Link device with no input filter: $0.072 \times 2 \text{ bytes} \times 3 \text{ devices} + 2.61 = 3.042$ [ms]</p>

*1. For information on how to determine the IO-Link communications cycle, refer to *5-3-4 Determining the IO-Link Communications Cycle* on page 5-11.

- Output Data

I/O data type	IO-Link process output data from IO-Link communications in IO-Link Mode	Digital output data in SIO (DO) Mode
Parameter		
Tnx-OutProc	0 [ms]	
Tnx-Outdelay	$0.044 \times (\text{Total size (in bytes) of IO-Link process output data from IO-Link communications from port 1 to port 4}) + 1.47 + \text{IO-Link communications cycle}^{*1}$ [ms]	$0.044 \times (\text{Total size (in bytes) of IO-Link process output data from IO-Link communications from port 1 to port 4}) + 1.47$ [ms]
	<p>Example: When only port 4 is used by an IO-Link device (actuator) with an IO-Link output data size of 2 bytes, and the IO-Link communications cycle for that IO-Link device (actuator) is 2.1 [ms]: $0.044 \times 2 \text{ bytes} \times 1 \text{ device} + 1.47 + 2.1 = 3.658$ [ms]</p>	<p>Example: When port 1 through port 3 are used by IO-Link devices with an IO-Link input data size of 2 bytes and port 4 is used by a non-IO-Link actuator: $0 + 1.47 = 1.47$ [ms]</p>

*1. For information on how to determine the IO-Link communications cycle, refer to *5-3-4 Determining the IO-Link Communications Cycle* on page 5-11.

5-3-2 Maximum I/O Response Time When the EtherNet/IP Coupler Unit Is Connected

This section describes the maximum I/O response time when an EtherNet/IP Coupler Unit is connected.

For information on timing charts and calculation methods for I/O response times for NX Units in EtherNet/IP Slave Terminals, refer to *I/O Response Times* in the *NX-series EtherNet/IP Coupler Unit User's Manual (Cat. No. W536)*.

The following NX Unit parameters are necessary to calculate I/O response times.

- Tin: Input response time of the NX Unit
- Tout: Output response time of the NX Unit

The parameter values and calculation methods for the IO-Link Master Unit are given below.

- Input Data

I/O data type	IO-Link process input data from IO-Link communications in IO-Link Mode	Digital input data for pin 2 in IO-Link Mode	Digital input data in SIO (DI) Mode
Parameter			
Tin	$0.072 \times (\text{Total size (in bytes) of IO-Link process input data from IO-Link communications from port 1 to port 4}) + 2.61 + \text{IO-Link communications cycle}^{*1}$ [ms]	$0.072 \times (\text{Total size (in bytes) of IO-Link process input data from IO-Link communications from port 1 to port 4}) + 2.61 + \text{Input filter time}$ [ms]	
	Example: When port 1 through port 4 are all used by IO-Link devices (sensors) with an IO-Link input data size of 2 bytes, and the IO-Link communications cycle for those IO-Link devices (sensors) is 2.1 [ms]: $0.072 \times 2 \text{ bytes} \times 4 \text{ devices} + 2.61 + 2.1 = 5.286$ [ms]	Example: When port 1 through port 4 are all used by IO-Link devices (sensors) with an IO-Link input data size of 2 bytes and no input filter is used: $0.072 \times 2 \text{ bytes} \times 4 \text{ devices} + 2.61 = 3.186$ [ms]	Example: When port 1 through port 3 are used by IO-Link devices with an IO-Link input data size of 2 bytes and port 4 is used by a non-IO-Link device with no input filter: $0.072 \times 2 \text{ bytes} \times 3 \text{ devices} + 2.61 = 3.042$ [ms]

*1. For information on how to determine the IO-Link communications cycle, refer to *5-3-4 Determining the IO-Link Communications Cycle* on page 5-11.

- Output Data

I/O data type	IO-Link process output data from IO-Link communications in IO-Link Mode	Digital output data in SIO (DO) Mode
Parameter		
Tout	$0.044 \times (\text{Total size (in bytes) of IO-Link process output data from IO-Link communications from port 1 to port 4}) + 1.47 + \text{IO-Link communications cycle}^{*1}$ [ms]	$0.044 \times (\text{Total size (in bytes) of IO-Link process output data from IO-Link communications from port 1 to port 4}) + 1.47$ [ms]
	Example: When only port 4 is used by an IO-Link device (actuator) with an IO-Link output data size of 2 bytes, and the IO-Link communications cycle for that IO-Link device (actuator) is 2.1 [ms]: $0.044 \times 2 \text{ bytes} \times 1 \text{ device} + 1.47 + 2.1 = 3.658$ [ms]	Example: When port 1 through port 3 are used by IO-Link devices with an IO-Link input data size of 2 bytes and port 4 is used by a non-IO-Link actuator: $0 + 1.47 = 1.47$ [ms]

*1. For information on how to determine the IO-Link communications cycle, refer to *5-3-4 Determining the IO-Link Communications Cycle* on page 5-11.

5-3-3 Maximum I/O Response Time When the CPU Unit Is Connected

This section describes the maximum I/O response time of the IO-Link Master Unit when the CPU Unit is connected.

For information on timing charts and calculation methods for I/O response times for NX Units when connecting to the CPU Unit, refer to *Task Design Methods and I/O Response Times* in the *NJ/NX-series CPU Unit Software User's Manual (Cat. No. W501)*.

The following NX Unit parameters are necessary to calculate I/O response times.

- Tnx-InProc: Input data processing time of the NX Unit
- Tnx-Indelay: Input delay time of the NX Unit
- Tnx-OutProc: Output data processing time of the NX Unit
- Tnx-Outdelay: Output delay time of the NX Unit

The parameter values and calculation methods for the IO-Link Master Unit are given below.

- Input Data

I/O data type	IO-Link process input data from IO-Link communications in IO-Link Mode	Digital input data for pin 2 in IO-Link Mode	Digital input data in SIO (DI) Mode
Parameter			
Tnx-InProc	0 [ms]		
Tnx-Indelay	$0.072 \times (\text{Total size (in bytes) of IO-Link process input data from IO-Link communications from port 1 to port 4}) + 2.61 + \text{IO-Link communications cycle}^{*1}$ [ms]	$0.072 \times (\text{Total size (in bytes) of IO-Link process input data from IO-Link communications from port 1 to port 4}) + 2.61 + \text{Input filter time}$ [ms]	
	Example: When port 1 through port 4 are all used by IO-Link devices (sensors) with an IO-Link input data size of 2 bytes, and the IO-Link communications cycle for those IO-Link devices (sensors) is 2.1 [ms]: $0.072 \times 2 \text{ bytes} \times 4 \text{ devices} + 2.61 + 2.1 = 5.286$ [ms]	Example: When port 1 through port 4 are all used by IO-Link devices (sensors) with an IO-Link input data size of 2 bytes and no input filter is used: $0.072 \times 2 \text{ bytes} \times 4 \text{ devices} + 2.61 = 3.186$ [ms]	Example: When port 1 through port 3 are used by IO-Link devices with an IO-Link input data size of 2 bytes and port 4 is used by a non-IO-Link device with no input filter: $0.072 \times 2 \text{ bytes} \times 3 \text{ devices} + 2.61 = 3.042$ [ms]

*1. For information on how to determine the IO-Link communications cycle, refer to *5-3-4 Determining the IO-Link Communications Cycle* on page 5-11.

- Output Data

I/O data type	IO-Link process output data from IO-Link communications in IO-Link Mode	Digital output data in SIO (DO) Mode
Parameter		
Tnx-OutProc	0 [ms]	

I/O data type Parameter	IO-Link process output data from IO-Link communications in IO-Link Mode	Digital output data in SIO (DO) Mode
Tnx-Outdelay	$0.044 \times (\text{Total size (in bytes) of IO-Link process output data from IO-Link communications from port 1 to port 4}) + 1.47 + \text{IO-Link communications cycle}^{*1} [\text{ms}]$	$0.044 \times (\text{Total size (in bytes) of IO-Link process output data from IO-Link communications from port 1 to port 4}) + 1.47 [\text{ms}]$
	<p>Example: When only port 4 is used by an IO-Link device (actuator) with an IO-Link output data size of 2 bytes, and the IO-Link communications cycle for that IO-Link device (actuator) is 2.1 [ms]: $0.044 \times 2 \text{ bytes} \times 1 \text{ device} + 1.47 + 2.1 = 3.658 [\text{ms}]$</p>	<p>Example: When port 1 through port 3 are used by IO-Link devices with an IO-Link input data size of 2 bytes and port 4 is used by a non-IO-Link actuator: $0 + 1.47 = 1.47 [\text{ms}]$</p>

*1. For information on how to determine the IO-Link communications cycle, refer to 5-3-4 *Determining the IO-Link Communications Cycle* on page 5-11.

5-3-4 Determining the IO-Link Communications Cycle

The IO-Link communications cycle depends on the baud rate of the IO-Link devices, as described below.

Refer to the handling instructions for individual IO-Link devices for the IO-Link device baud rates.

- When the IO-Link Device Baud Rate Is COM3 (230.4 kbps)
 - The IO-Link communications cycle depends on whether the minimum cycle time of the IO-Link devices is less than or equal to 1.1 ms or greater than 1.1 ms, as described below.
 - a) When the minimum cycle time of the IO-Link devices is less than or equal to 1.1 ms
IO-Link communications cycle = 1.1 [ms] (fixed)
 - b) When the minimum cycle time of the IO-Link devices is greater than 1.1 ms
IO-Link communications cycle = Minimum cycle time of the IO-Link devices [ms]
- When the Baud Rate of the IO-Link Device Is COM2 (38.4 kbps) or COM1 (4.8 kbps)
 - The IO-Link communications cycle will be as described below.
IO-Link communications cycle = Minimum cycle time of the IO-Link devices [ms]



Additional Information

You can check the "minimum cycle times for the IO-Link devices" in the handling instructions for individual IO-Link devices.

Or, you can place the CX-ConfiguratorFDT online and check the **Cycle Time in Read Device Configuration** in the Diagnosis Tab Page for the IO-Link Master Unit, as shown in the following screen capture.

The screenshot displays the CX-ConfiguratorFDT software interface. The main window is titled "C:*1_テマ管理_実施中*2_AJ350_IOリンクマスター開発*マニュアルレビュー*0510_依頼*0511.cpr2 - CX-ConfiguratorFDT - <NX bus:1> NX-ILM400 - Diagnosis". The interface is divided into several sections:

- Network View:** Shows a tree structure of the network configuration, including "OMRON EtherCAT:1> GX-ILM08C" and "NX bus:1> NX-ILM400".
- Vendor Information:** Displays "Vendor: OMRON", "NX-ILM400 Gateway DTM", and "(c) Copyright OMRON Corporation 2016".
- Ports:** A section with four numbered buttons (1, 2, 3, 4) and a "Read Result" button.
- Selected Port:** A section for "Master Table Configuration" with fields for Device ID (0), Vendor ID (0), Master Control (3: IO-Link Mode(Default)), Serial Number, and IO-Link Revision (0). It also includes "Process Data In Length" (2) and "Process Data Out Length" (2).
- Real Device Configuration:** A section for "Real Device Configuration" with fields for Device ID (131073: E2E-X3B4-IL3 I0DD1.1), Vendor ID (612: OMRON Corporation), Serial Number (F0311008), and IO-Link Revision (17). The "Cycle Time" field is highlighted with a red box and shows a value of 1 ms. It also includes "Process Data In Length" (2) and "Process Data Out Length" (0).
- Diagnosis Data:** A section for "Diagnosis Data" with a "Lost Frames" field showing 0.
- Bottom Bar:** Includes a "Connected" status indicator, a "Planning Engineer" role, and a "User: Administrator" field.

6

Types and Functions of IO-Link Master Units

This section describes the types and functions of IO-Link Master Units.

6-1	Types and Connection Configuration of IO-Link Master Units	6-2
6-1-1	Types of IO-Link Master Units	6-2
6-1-2	Connection Configuration with the Communications Coupler Unit or CPU Unit and IO-Link Devices	6-2
6-2	Specifications of I/O Data	6-4
6-2-1	Allocable I/O Data	6-4
6-3	List of Settings	6-7
6-4	Functions	6-10

6-1 Types and Connection Configuration of IO-Link Master Units

This section describes the types of IO-Link Master Units.

6-1-1 Types of IO-Link Master Units

The NX-series IO-Link Master Unit is an NX Unit that has I/O processing functions for IO-Link communications with IO-Link devices and I/O processing functions for digital I/O data (ON/OFF signals) with non-IO-Link devices. For an IO-Link Master Unit, processing functions can be assigned for each port to combine different types of I/O processing functions.

With IO-Link devices that support digital inputs for pin 2^{*1}, the IO-Link Master Unit can simultaneously perform both IO-Link communications and receive digital inputs.

*1. Digital inputs that use pin 2 of IO-Link Master Unit ports.

The following types of I/O data are available.

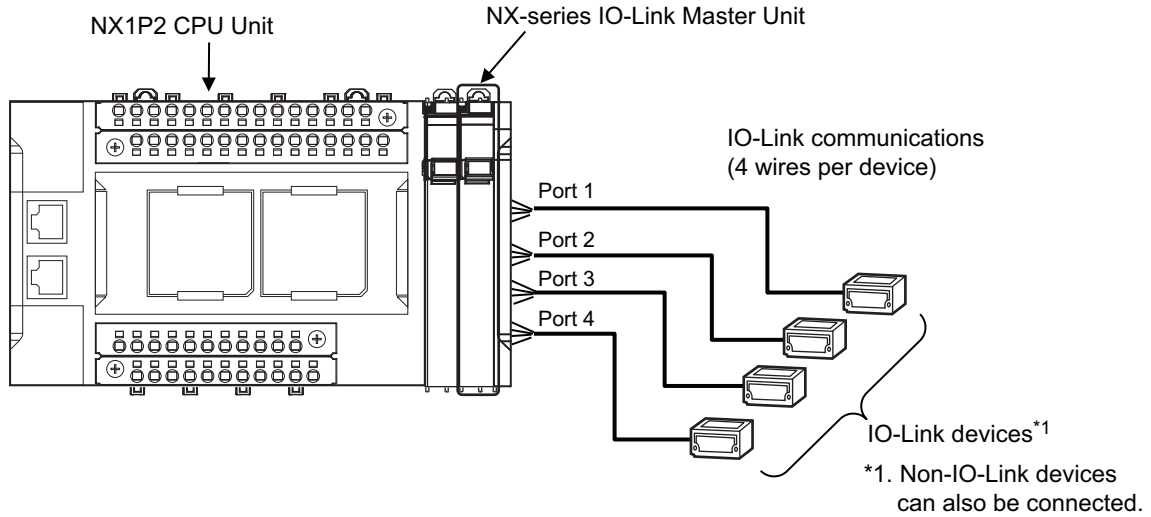
Model	Number of inputs and outputs	Internal I/O common	I/O refreshing method	I/O connection terminals	Reference
NX-ILM400	4	PNP	Free-Run refreshing	Screwless clamping terminal block	<i>IO-Link Master Unit</i> on page A-4

6-1-2 Connection Configuration with the Communications Coupler Unit or CPU Unit and IO-Link Devices

An NX-series IO-Link Master Unit connects to IO-Link devices. As an NX Unit, an NX-series IO-Link Master Unit can be connected to any of the following.

Connected to a CPU Unit

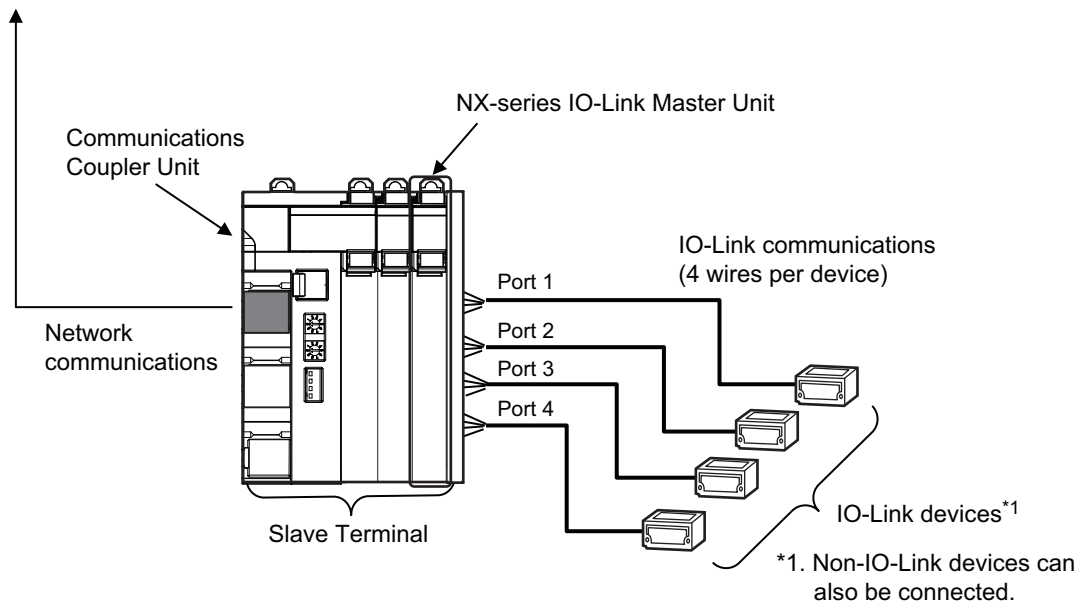
You can connect an IO-Link Master Unit directly to the CPU Rack. The following figure shows a system configuration when the IO-Link Master Unit is connected to an NX-series NX1P2 CPU Unit.



Connected to a Slave Terminal

The NX-series IO-Link Master Unit is connected to a Communications Coupler Unit and the Slave Terminal is connected to a host communications master or communications device.

To a communications master or communications device



6-2 Specifications of I/O Data

This section describes the I/O data for an IO-Link Master Unit.



Precautions for Safe Use

Default values of I/O allocation differ between the IO-Link Master Unit with unit version 1.0 and one with unit version 1.1.

If you replace a Unit with unit version 1.0 with a Unit with unit version 1.1 or later, set the I/O allocation to the same setting as the Unit with unit version 1.0.

Replacing the Unit without changing the I/O allocation may result in erroneous output, erroneous input, and a change in the timing of I/O.



Version Information

For unit version 1.1 or later, the *Digital Input Data* and *Digital Output Data* are allocated by default.

6-2-1 Allocable I/O Data

The data that can be assigned for I/O in the IO-Link Master Unit is given below.

Eight I/O entry mappings are assigned in the I/O allocation settings for the IO-Link Master Unit.

A specific I/O entry is assigned in the I/O entry mapping for each IO-Link Master Unit model.

You can change these assignments.

An I/O entry means the I/O data described in this section. An I/O entry mapping means a collection of I/O entries.

All of the data that can be assigned for an NX-series IO-Link Master Unit from the Support Software correspond to NX objects. The IO entry names and corresponding NX objects are listed in the following table. Refer to *A-3 List of NX Objects* on page A-10 for details on the NX objects. Refer to the user's manual for the connected CPU Unit or Communications Coupler Unit for information on the I/O allocation settings that are made from the Support Software.

I/O entry mapping name	Index (hex)	Sub-index (hex)	I/O entry name	NX object name	Default value of I/O allocation
Input Data Set 1	6000	01	I/O Port Status	I/O Port Status	Present
	6001	01	Port1_2 I/O Port Error Status	Error Status for Ports 1 and 2	Present
	6002	01	Port3_4 I/O Port Error Status	Error Status for Ports 3 and 4	Present
	6003	01	Digital Input Data	Digital Input Data	*1
	6004	01-10	Port1 Input Data01 - 16	Port 1 Input Data 01 to 16	*2
Input Data Set 2	6005	01-10	Port2 Input Data01 - 16	Port 2 Input Data 01 to 16	*2
Input Data Set 3	6006	01-10	Port3 Input Data01 - 16	Port 3 Input Data 01 to 16	*2
Input Data Set 4	6007	01-10	Port4 Input Data01 - 16	Port 4 Input Data 01 to 16	*2

I/O entry mapping name	Index (hex)	Subindex (hex)	I/O entry name	NX object name	Default value of I/O allocation
Output Data Set 1	7000	01	Digital Output Data	Digital Output Data	*1
	7001	01-10	Port1 Output Data01 - 16	Port 1 Output Data 01 to 16	*3
Output Data Set 2	7002	01-10	Port2 Output Data01 - 16	Port 2 Output Data 01 to 16	*3
Output Data Set 3	7003	01-10	Port3 Output Data01 - 16	Port 3 Output Data 01 to 16	*3
Output Data Set 4	7004	01-10	Port4 Output Data01 - 16	Port 4 Output Data 01 to 16	*3

- *1. Unit version 1.0: Not present
Unit version 1.1 or later: Present
- *2. Input data 01: Present
Input data 02 to 16: Not present
- *3. Output data 01: Present
Output data 02 to 16: Not present

Default Allocation of Input Data

The following data is allocated for the default settings.

• Unit version 1.0

Input
offset

(words)	D15	D14	D13	D12	D11	D10	D09	D08	D07	D06	D05	D04	D03	D02	D01	D00
0	D15: I/O Power On/Off Status D14: IO-Link Communications Module Processing Error D08 to D13: Not used.								Not used.				Input Data Enabled Flags			
+1	Port 2 I/O Port Error Status								Port 1 I/O Port Error Status							
+2	Port 4 I/O Port Error Status								Port 3 I/O Port Error Status							
+3	Port 1 Input Data 01 Upper Byte								Port 1 Input Data 01 Lower Byte							
+4	Port 2 Input Data 01 Upper Byte								Port 2 Input Data 01 Lower Byte							
+5	Port 3 Input Data 01 Upper Byte								Port 3 Input Data 01 Lower Byte							
+6	Port 4 Input Data 01 Upper Byte								Port 4 Input Data 01 Lower Byte							

• Unit version 1.1

Input
offset

(words)	D15	D14	D13	D12	D11	D10	D09	D08	D07	D06	D05	D04	D03	D02	D01	D00
0	D15: I/O Power On/Off Status D14: IO-Link Communications Module Processing Error D08 to D13: Not used.								Not used.				Input Data Enabled Flags			
+1	Port 2 I/O Port Error Status								Port 1 I/O Port Error Status							
+2	Port 4 I/O Port Error Status								Port 3 I/O Port Error Status							
+3	Digital Input Data Upper Byte								Digital Input Data Lower Byte							
+4	Port 1 Input Data 01 Upper Byte								Port 1 Input Data 01 Lower Byte							
+5	Port 2 Input Data 01 Upper Byte								Port 2 Input Data 01 Lower Byte							

(words)	D15	D14	D13	D12	D11	D10	D09	D08	D07	D06	D05	D04	D03	D02	D01	D00
+6	Port 3 Input Data 01 Upper Byte								Port 3 Input Data 01 Lower Byte							
+7	Port 4 Input Data 01 Upper Byte								Port 4 Input Data 01 Lower Byte							

Default Allocation of Output Data

The following data is allocated for the default settings.

- **Unit version 1.0**

Output
offset

(words)	D15	D14	D13	D12	D11	D10	D09	D08	D07	D06	D05	D04	D03	D02	D01	D00
0	Port 1 Output Data 01 Upper Byte								Port 1 Output Data 01 Lower Byte							
+1	Port 2 Output Data 01 Upper Byte								Port 2 Output Data 01 Lower Byte							
+2	Port 3 Output Data 01 Upper Byte								Port 3 Output Data 01 Lower Byte							
+3	Port 4 Output Data 01 Upper Byte								Port 4 Output Data 01 Lower Byte							

- **Unit version 1.1**

Output
offset

(words)	D15	D14	D13	D12	D11	D10	D09	D08	D07	D06	D05	D04	D03	D02	D01	D00
0	Digital Output Data Upper Byte								Digital Output Data Lower Byte							
+1	Port 1 Output Data 01 Upper Byte								Port 1 Output Data 01 Lower Byte							
+2	Port 2 Output Data 01 Upper Byte								Port 2 Output Data 01 Lower Byte							
+3	Port 3 Output Data 01 Upper Byte								Port 3 Output Data 01 Lower Byte							
+4	Port 4 Output Data 01 Upper Byte								Port 4 Output Data 01 Lower Byte							

6-3 List of Settings

The followings are the setting descriptions, setting ranges, and default values of the functions that can be used in the IO-Link Master Unit.

The settings are reflected after the Unit is restarted.



Precautions for Safe Use

The Unit is restarted after the Unit operation settings are transferred from the Support Software. Always sufficiently check the safety at the connected devices before you transfer the Unit operation settings.

Setting	Description	Default value	Setting range	Index	Sub-index	
IO-Link Device Verification Setting	This setting specifies whether to verify that the IO-Link devices actually connected to the ports match the IO-Link devices in the IO-Link Device Configuration Settings when IO-Link communications start.	00 hex: Disabled	00 to 02 hex 00 hex: Do not check. 01 hex: Verify the vendor ID, device ID, and IO-Link revision 02 hex: Verify the vendor ID, device ID, and IO-Link revision serial number.	5001 hex	01 to 04 hex	
IO-Link Device Configuration Settings* ¹	Device ID	The type of IO-Link device.	00000000 hex	5006 to 5009 hex	01 hex	
	Vendor ID	The vendor ID of the IO-Link device.	00000000 hex		02 hex	
	Serial Number	The serial number of the IO-Link device.	---		16 characters max.	05 hex
	IO-Link Revision* ²	The IO-Link revision of the IO-Link device. • Set the major revision in the 4 upper bits, and the minor revision in the 4 lower bits.	00 hex		00 to FF hex	06 hex
	IO-Link Input Data Size* ³	The size (in bytes) of the IO-Link process input data from the IO-Link device.	02 hex (2 bytes)		00 to 20 hex (0 to 32 bytes)	09 hex
	IO-Link Output Data Size* ⁴	The size (in bytes) of the IO-Link process output data to the IO-Link device.	02 hex (2 bytes)		00 to 20 hex (0 to 32 bytes)	0A hex
	Master Control Communications Mode Setting	Set the communications mode for each port.	03 hex: IO-Link Mode		00 to 03 hex 00 hex: Disable Port 01 hex: SIO (DI) Mode 02 hex: SIO (DO) Mode 03 hex: IO-Link Mode	0B hex

Setting	Description	Default value	Setting range	Index	Sub-index
Backup Setting	Make this setting to back up the parameter settings of the IO-Link devices in the IO-Link Master Unit. Specify whether to enable or disable backup for each port.	00 hex	00 to 01 hex 00 hex: Disables backup 01 hex: Enables backup	5002 hex	01 to 04 hex
Restoration Setting	Make this setting to restore the parameter settings of the IO-Link devices from the IO-Link Master Unit. Specify whether to enable or disable restoration for each port.	00 hex	00 to 01 hex 00 hex: Disables restoration 01 hex: Enables restoration	5003 hex	01 to 04 hex
Load Rejection Output Settings	Set whether to turn OFF outputs from the IO-Link Master Unit (i.e., whether to enable load rejection) when an error occurs in communications with the controller. Make this setting for each port.	00 hex	00 to 01 hex 00 hex: Enables load rejection* ⁵ 01 hex: Disables load rejection* ⁶	5004 hex	01 to 04 hex
Input Filter Settings	Filters digital input values. Make this setting for each port. * ⁷	3 (1ms)	0: No filter 1: 0.25 ms 2: 0.5 ms 3: 1ms 4: 2 ms 5: 4 ms 6: 8 ms 7: 16 ms 8: 32 ms 9: 64 ms 10: 128 ms 11: 256 ms	5005 hex	01 to 04 hex
Digital Input Collection Setting* ⁸	Enable or disable the digital input collection for each port in IO-Link Mode. Digital input collection cannot be used in SIO (DI) Mode or SIO (DO) Mode and this setting is ignored.	00 hex	00 to 01 hex 00 hex: Digital Input Collection Disable 01 hex: Digital Input Collection Enable	501A hex	01 to 04 hex
Offset Setting of Digital Input Collection* ⁸	Specify the offset of the bit data to be collected in the input data from the IO-Link device, when the digital input collection is enabled for each port in IO-Link Mode. When the digital input collection is disabled in IO-Link Mode, this setting is ignored. This setting is also ignored in SIO (DI) Mode or SIO (DO) Mode.	00 hex	00 to FF hex	501B hex	01 to 04 hex

*1. You can check the codes for the IO-Link Device Configuration Settings in the handling instructions for the IO-Link devices.

From the Support Software, enter “#” to indicate hexadecimal followed by the hexadecimal number.

- *2. Setting example: Set 11 hex for revision 1.1.
- *3. Set the IO-Link process input data size to a value equal to or greater than the IO-Link input data size of the device.
- *4. Set the IO-Link process output data size to a value equal to or greater than the IO-Link output data size of the device.
- *5. Digital outputs are cleared and IO-Link communications are disabled.
- *6. Digital outputs are held and IO-Link communications are maintained.
- *7. Digital input values in SIO (DI) Mode and digital input values for pin 2 are specified separately for each port.
- *8. These settings are supported with the unit version 1.1 or later.

6-4 Functions

This section provides an overview of the functions of the IO-Link Master Unit.

For details, refer to the *IO-Link System User's Manual (Cat. No. W570)*.

Function		Description
Communications	Cyclic communications	I/O data (process data) in the IO-Link devices is cyclically exchanged with the IO-Link Master Unit as the IO-Link communications master. At the same time, this data and the status of the IO-Link Master Unit is cyclically exchanged with the controller, with the IO-Link Master Unit operating as a slave of the controller. With this function, you can check the amount of detection performance deterioration and usage condition changes if the device supports relevant data, such as the amount of incident light and stability detection margins for photoelectric sensors, and excessive proximity for proximity sensors.
	Message communications	The controller can send messages (commands) to the IO-Link Master Unit and receive the response from the IO-Link Master Unit. The IO-Link Master Unit can also function as a gateway to send messages (commands and responses) between the controller and the IO-Link devices. With this function, you can change or adjust device parameters, such as thresholds, tuning execution and ON delay time, through user programs if the device supports such parameters. You can also check internal status data, such as operating time, through user programs if the device supports such data.
Communications mode settings		You can select any of the following modes for each port: IO-Link Mode, SIO (DI) Mode, SIO(DO) Mode, or Disable Port This allows you to combine IO-Link communications and digital I/O in a single Unit.
	Digital inputs for pin 2	In IO-Link Mode, you can perform digital input with pin 2 while performing IO-Link communications.
Automatic baud rate setting for IO-Link communications		The IO-Link Master Unit automatically matches the specific baud rates (COM1, COM2, or COM3) of the IO-Link devices to communicate with the IO-Link devices. Therefore, it is not necessary to set the baud rate of the connected device for each port.
Connected device verification		This function is used to verify the configuration of IO-Link devices that are connected to the IO-Link Master Unit against the registered IO-Link device configuration settings when the power supply is turned ON. The user can enable or disable connected device verification.
IO-Link communications error detection		This function detects I/O cable breaks, disconnections from IO-Link device ports, error-level device events, device configuration verification errors, and IO-Link device malfunctions.
Detection of short-circuits in I/O cables		This function detects short-circuits in device cables.
Notification of input data validity		The host controller can use the <i>Input Data Enabled</i> Flags to determine whether the IO-Link process input data for IO-Link communications is valid.
Load rejection for controller communications error		This function turns OFF outputs from the IO-Link Master Unit when an error occurs in communications with the controller in IO-Link Mode or in an SIO mode. This prevents output operations with incorrect values when a communications error occurs.

Function	Description
IO-Link total communications lost frames	<p>The IO-Link total communications lost frames can be read from the CX-ConfiguratorFDT.</p> <p>You can use this function to determine communications status as affected by IO-Link communications noise or other factors.</p>
Digital input filter	<p>You can remove the chattering and noise of the input signal for digital inputs in SIO (DI) Mode or for digital inputs for pin 2 in IO-Link Mode.</p> <p>When the input data changes without stabilization of the state of the contact point due to chattering and noise, this function prevents changes in data and stabilizes it.</p>
Digital input collection ^{*1}	<p>In IO-Link Mode, this function reflects the specified bit data in the input data from the IO-Link device on the digital input data of the IO-Link Master Unit.</p> <p>As a result, the bit data in the input data from the IO-Link device can be aggregated into the digital input data of the IO-Link Master Unit.</p> <p>One bit for each IO-Link port can be aggregated.</p> <p>This function cannot be used in SIO(DI) Mode and SIO(DO) Mode.</p> <p>If you are using this function, you cannot perform digital inputs for pin 2.</p>
Backup or restoration of parameter settings in IO-Link devices	<p>This function is used to back up parameter settings in IO-Link devices in the IO-Link Master Unit or restore them to IO-Link devices.</p> <p>This eliminates the need to set parameters again after replacing an IO-Link device.</p>
Event log	<p>This function records events, such as errors and status changes, that occur in the IO-Link Master Unit and IO-Link devices.</p>

*1. This function is supported in IO-Link Master Unit with unit version 1.1 or later.



Troubleshooting

This section describes the error information and corrections for errors that can occur when the IO-Link Master Unit is used.

7-1	How to Check for Errors	7-2
7-2	Checking for Errors with the Indicators	7-3
7-3	Checking for Errors and Troubleshooting on the Support Software	7-4
7-3-1	Checking for Errors from the Sysmac Studio	7-4
7-3-2	Checking for Errors from Support Software Other Than the Sysmac Studio	7-5
7-3-3	Event Codes and Corrections for Errors	7-5
7-4	Resetting Errors	7-6
7-5	Troubleshooting Flowchart	7-7

7-1 How to Check for Errors

Use one of the following error checking methods.

- Checking the indicators
- Troubleshooting with the Support Software

Refer to the troubleshooting manual for the CPU Unit or the user's manual for the Communications Coupler Unit that the NX Units are connected to for details on troubleshooting with the Support Software.

7-2 Checking for Errors with the Indicators

Refer to the *IO-Link System User's Manual (Cat. No. W570)* for information on troubleshooting with the front-panel indicators.

7-3 Checking for Errors and Troubleshooting on the Support Software

Error management on the NX Series is based on the methods used for the NJ/NX/NY-series Controllers.

This allows you to use the Support Software to check the meanings of errors and troubleshooting procedures.

The confirmation method depends on the Support Software that is used.

7-3-1 Checking for Errors from the Sysmac Studio

When an error occurs, you can place the Sysmac Studio online to the Controller or the Communications Coupler Unit to check current Controller errors and the log of past Controller errors.

Refer to the user's manual for the connected CPU Unit or Communications Coupler Unit for details on how to check errors.

Current Errors

Open the Sysmac Studio's Controller Error Tab Page to check the current error's level, source, source details, event name, event codes, details, attached information 1 to 4, and correction.

Errors in the observation level are not displayed.



Additional Information

Number of Current Errors

The following table gives the number of errors that are reported simultaneously as current errors in each Unit.

Unit	Number of simultaneous errors
NX-ILM400	15 errors

If the number of errors exceeds the maximum number of reportable current errors, errors are reported with a priority given to the oldest and highest-level errors. Errors that exceed the limit on simultaneous error notifications are not reported.

Errors that are not reported are still reflected in the error status.

Log of Past Errors

Open the Sysmac Studio's Controller Event Log Tab Page to check the times, levels, sources, source details, event names, event codes, details, attached information 1 to 4, and corrections for previous errors.



Additional Information

Number of Logs of Past Errors

Each event log can record the following number of events. The oldest events are overwritten if there are more than 15 events in the system event log or two events in the access event log.

Refer to the troubleshooting manual for the connected CPU Unit or Industrial PC and the *Sysmac Studio Version 1 Operation Manual (Cat. No. W504)* for information on the items you can check and for how to check for errors.

Refer to *7-3-3 Event Codes and Corrections for Errors* on page 7-5 for details on event codes.

7-3-2 Checking for Errors from Support Software Other Than the Sysmac Studio

You can check the error descriptions and logs with Support Software other than the Sysmac Studio. For the error checking methods, refer to the user's manual for the connected Communications Coupler Unit and the operation manual for the Support Software.

Refer to *7-3-3 Event Codes and Corrections for Errors* on page 7-5 for details on event codes.

The number of current errors and the number of error log errors that occurred in the past in the IO-Link Master Units are the same as for the Sysmac Studio.

7-3-3 Event Codes and Corrections for Errors

Refer to the *IO-Link System User's Manual (Cat. No. W570)* for a list of the errors (events) that can occur in an IO-Link Master Unit.

7-4 Resetting Errors

Refer to the troubleshooting manual for the connected CPU Unit or the user's manual for the Communications Coupler Unit for information on how to reset errors.

7-5 Troubleshooting Flowchart

Refer to the troubleshooting manual for the connected CPU Unit or the user's manual for the Communications Coupler Unit for information on the standard flow for troubleshooting errors.



Inspection and Maintenance

This section describes how to clean, inspect, and maintain the system.

8-1	Cleaning and Inspection	8-2
8-1-1	Cleaning	8-2
8-1-2	Periodic Inspections	8-2
8-2	Maintenance Procedures	8-5

8-1 Cleaning and Inspection

This section describes daily maintenance and the cleaning and inspection methods.

Inspect the IO-Link Master Units daily or periodically in order to keep it in optimal operating condition.

8-1-1 Cleaning

Clean the IO-Link Master Units regularly as described below in order to keep it in optimal operating condition.

- Wipe the equipment over with a soft, dry cloth when performing daily cleaning.
- If dirt remains even after wiping with a soft, dry cloth, wipe with a cloth that has been wet with a sufficiently diluted detergent (2%) and wrung dry.
- A smudge may remain on the NX Unit from gum, vinyl, or tape that was left on for a long time. Remove the smudge when cleaning.



Precautions for Correct Use

- Never use volatile solvents, such as paint thinner, benzene, or chemical wipes.
- Do not touch the NX bus connectors.

8-1-2 Periodic Inspections

Although the major components in NX Units have an extremely long life time, they can deteriorate under improper environmental conditions. Periodic inspections are thus required.

Inspection is recommended at least once every six months to a year, but more frequent inspections will be necessary in adverse environments.

Take immediate steps to correct the situation if any of the conditions in the following table are not met.

Periodic Inspection Items

No.	Inspection item	Inspection details	Criteria	Correction
1	External power supply	Is the power supply voltage measured at the terminal block within standards?	Within the power supply voltage range	Use a voltage tester to check the power supply at the terminals. Take necessary steps to bring the power supply within the power supply voltage range.
2	I/O power supply	Is the power supply voltage measured at the I/O terminal block within standards?	Voltages must be within I/O specifications of each NX Unit.	Use a voltage tester to check the power voltage at the terminals. Take necessary steps to bring the I/O power supply within NX Unit standards.

No.	Inspection item	Inspection details	Criteria	Correction
3	Ambient environment	Is the ambient operating temperature within standards?	0 to 55°C	Use a thermometer to check the temperature and ensure that the ambient operating temperature remains within the allowed range of 0 to 55°C.
		Is the ambient operating humidity within standards?	Relative humidity must be 10% to 95% with no condensation.	Use a hygrometer to check the humidity and ensure that the ambient operating humidity remains between 10% and 95%. Make sure that condensation does not occur due to rapid changes in temperature.
		Is it subject to direct sunlight?	Not in direct sunlight	Protect the Controller if necessary.
		Is there an accumulation of dirt, dust, salt, metal powder, etc.?	No accumulation	Clean and protect the Controller if necessary.
		Is there water, oil, or chemical sprays hitting the Controller?	No spray	Clean and protect the Controller if necessary.
		Are there corrosive or flammable gases in the area of the Controller?	No gases	Check by smell or use a sensor.
		Is the Unit subject to shock or vibration?	Vibration resistance and shock resistance must be within specifications.	Install cushioning or other vibration and shock absorbing equipment if necessary.
		Are there noise sources near the Controller?	No significant noise sources	Either separate the Controller and noise source or protect the Controller.
4	Installation and wiring	Are the DIN Track mounting hooks for each NX Unit securely locked?	No looseness	Securely lock the DIN Track mounting hooks.
		Are the cable connectors fully inserted and locked?	No looseness	Correct any improperly installed connectors.
		Are there any loose screws on the End Plates (PFP-M)?	No looseness	Tighten loose screws with a Phillips-head screwdriver.
		Are the NX Units connected to each other along the hookup guides and until they touch the DIN track?	You must connect and fix the NX Units to the DIN track.	Connect the NX Units to each other along the hookup guides and insert them until they touch the DIN track.
		Are there any damaged external wiring cables?	No visible damage	Check visually and replace cables if necessary.

Tools Required for Inspections

● Required Tools

- Phillips screwdriver
- Flat-blade screwdriver

- Voltage tester or digital voltmeter
- Industrial alcohol and pure cotton cloth

● **Tools Required Occasionally**

- Oscilloscope
- Thermometer and hygrometer

8-2 Maintenance Procedures

When you replace an IO-Link Master Unit, follow the procedure in the user's manual for the connected CPU Unit or Communications Coupler Unit and refer to the *IO-Link System User's Manual* (Cat. No. W570).



Appendices

The appendices provide the data sheets of the IO-Link Master Unit and the Unit dimensions.

A-1	Data Sheet.....	A-2
A-1-1	Models.....	A-2
A-1-2	IO-Link Master Unit	A-2
A-2	Dimensions.....	A-8
A-2-1	NX-series IO-Link Master Unit.....	A-8
A-2-2	Installation Height.....	A-9
A-3	List of NX Objects	A-10
A-3-1	Format of NX Object Descriptions.....	A-10
A-3-2	IO-Link Master Unit	A-10
A-4	List of Screwless Clamping Terminal Block Models.....	A-41
A-4-1	Model Notation	A-41
A-4-2	List of Terminal Block Models.....	A-41
A-5	Version Information with CPU Units.....	A-42
A-5-1	Relationship between Unit Versions of Units.....	A-42
A-5-2	Functions That Were Added or Changed for Each Unit Version	A-43
A-6	Version Information with Communications Coupler Units.....	A-44
A-6-1	Connection to an EtherCAT Coupler Unit.....	A-44
A-6-2	Connection to an EtherNet/IP Coupler Unit.....	A-47

A-1 Data Sheet

The specifications of the IO-Link Master Unit are shown below.

A-1-1 Models

IO-Link Master Unit

Model	Number of ports	I/O refreshing method	Reference
NX-ILM400	4	Free-Run refreshing (Cannot be changed.)	<i>IO-Link Master Unit</i> on page A-4

A-1-2 IO-Link Master Unit

Description of Items on Data Sheet of the IO-Link Master Unit

The meanings of the items on the data sheet of the IO-Link Master Unit are explained in the following table.

Item		Description
Unit name		The name of the Unit.
Model		The model of the Unit.
Number of ports		The number of ports for I/O connection on the Unit.
Communications specifications	Baud rate	The baud rate for IO-Link communications.
	Rated voltage	The rated voltage that is supplied to devices connected to ports in IO-Link Mode and SIO (DI) Mode on the Unit.
Power supply to devices in IO-Link Mode or SIO (DI) Mode	Supplied current	The maximum load current from the I/O power supply in IO-Link Mode or SIO (DI) Mode. A specification is given for each port.
	Short-circuit protection	Whether circuit protection is provided for load short-circuits.
	Internal I/O common	The polarity that is used to connect to input devices in SIO (DI) Mode. Connections are PNP.
Digital inputs (in SIO (DI) Mode)	Rated voltage	The rated input voltage and range in SIO (DI) Mode.
	Input current	The input current at the rated voltage in SIO (DI) Mode.
	ON voltage/ON current	The input voltage at which the input turns ON and the corresponding input current in SIO (DI) Mode.
	OFF voltage	The input voltage at which the input turns OFF in SIO (DI) Mode.
	Input filter time	The filter time when the status of the internal circuit is read as the data to the internal of the Unit in SIO (DI) Mode. It is same for both ON and OFF. The filter time to be set by the Support Software is given.

Item		Description
Digital out-puts (in SIO (DO) Mode)	Internal I/O common	The polarity that is used to connect to output devices in SIO (DO) Mode. Connections are PNP.
	Output type	The transistor output type in SIO (DO) Mode.
	Rated voltage	The load voltage range in SIO (DO) Mode.
	Maximum load current	The maximum load current in SIO (DO) Mode. A specification is given for each port.
	Short-circuit protection	Whether circuit protection is provided for load short-circuits.
	Leakage current	The leakage current when the output is OFF in SIO (DO) Mode.
	Residual voltage	The residual voltage when the output is ON in SIO (DO) Mode.
Digital in-puts for pin 2 (in IO-Link Mode)	Internal I/O common	The polarity of the connected input device for digital inputs for pin 2 in IO-Link Mode. Connections are PNP.
	Rated voltage	The range of the rated input voltage for digital inputs for pin 2 in IO-Link Mode.
	Input current	The input current at the rated voltage for digital inputs for pin 2 in IO-Link Mode.
	ON voltage/ON current	The input voltage at which the input turns ON and the corresponding input current for digital inputs for pin 2 in IO-Link Mode.
	OFF voltage	The input voltage at which the input turns ON for digital inputs for pin 2 in IO-Link Mode.
	Input filter time	The filter time when the status of the internal circuit is read as the data to the internal of the Unit for digital inputs for pin 2 in IO-Link Mode. It is same for both ON and OFF. The filter time to be set by the Support Software is given.
Cable specifications	Cable type	Whether the cable is shielded or unshielded.
	Length	The cable length.
	Electrostatic capacity between lines	The electrostatic capacity between lines.
	Loop resistance	The total resistance for two cables.
External connection terminals		The type of terminal block or connector that is used to wire the Unit. The number of terminals on the screwless clamping terminal block is also given.
I/O refreshing method		The I/O refreshing method that is used by the Unit.
Dimensions		The dimensions of the Unit. They are described as W × H × D. The unit is "mm".
Isolation method		The isolation method between the input circuit and internal circuit of the Unit.
Insulation resistance		The insulation resistance between the input circuit and internal circuit of the Unit.
Dielectric strength		The dielectric strength between the input circuit and internal circuit of the Unit.
I/O power supply method		The method for supplying I/O power to the Unit. The supply method is determined for each Unit. The power is supplied from the NX bus or the external source.
Current capacity of I/O power supply terminals		The current capacity of the power supply terminals (IOV/IOG) of the Unit. Do not exceed this value when supplying the I/O power to the connected external devices.

Item	Description
NX Unit power consumption	The power consumption of the NX Unit power supply of the Unit. The power consumption of the Unit connected to a CPU Unit and the power consumption of the Unit connected to a Communication Coupler Unit are separately given.
Current consumption from I/O power supply	The current consumption from I/O power supply of the Unit. The above input current and current consumption of any connected external devices are excluded.
Weight	The weight of the Unit.
Circuit layout	The input circuit layout of the Unit.
Terminal connection diagram	A diagram of the connection between the Unit and connected external devices. When an I/O Power Supply Connection Unit or a Shield Connection Unit is required to be connected to the connected external devices, the description for such is included.
Installation orientation and restrictions	The installation orientation for a CPU Unit that includes the Unit and the installation orientation for a Slave Terminal that includes this Unit. Any restrictions to specifications that result from the installation orientation are also given.
Protective function	The protective function that the Unit has.

IO-Link Master Unit

- General Specifications

Item	Specification	
Enclosure	Mounted in a panel	
Grounding methods	Ground to 100 Ω or less	
Operating environment	Ambient operating temperature	0 to 55°C
	Ambient operating humidity	10 to 95% RH (with no icing or condensation)
	Atmosphere	Must be free from corrosive gases.
	Ambient storage temperature	-25 to 70°C (with no icing or condensation)
	Altitude	2,000 m max.
	Pollution degree	Pollution degree 2 or less: Conforms to JIS B 3502 and IEC 61131-2.
	Noise immunity	Conforms to IEC 61000-4-4, 2 kV (power supply line)
	Overvoltage category	Category II: Conforms to JIS B 3502 and IEC 61131-2.
	EMC immunity level	Zone B
	Vibration resistance	Conforms to IEC 60068-2-6. 5 to 8.4 Hz with amplitude of 3.5 mm, 8.4 to 150 Hz, acceleration of 9.8 m/s ² 100 min each in X, Y, and Z directions (10 sweeps of 10 min each = 100 min total)
	Shock resistance	Conforms to IEC 60068-2-27, 147 m/s ² , 3 times each in X, Y, and Z directions
Insulation resistance	Refer to the individual specifications of NX Units.	
Dielectric strength	Refer to the individual specifications of NX Units.	
Applicable standards	cULus: Listed (UL61010-2-201), ANSI/ISA 12.12.01, EU: EN 61131-2, RCM, KC (KC Registration), and IO-Link conformance	

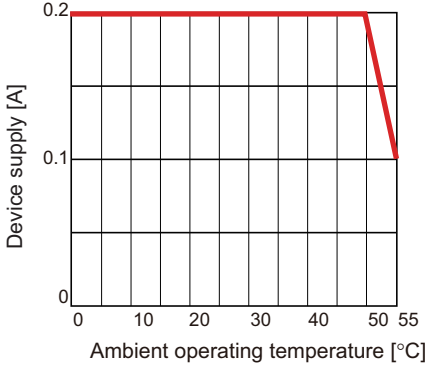
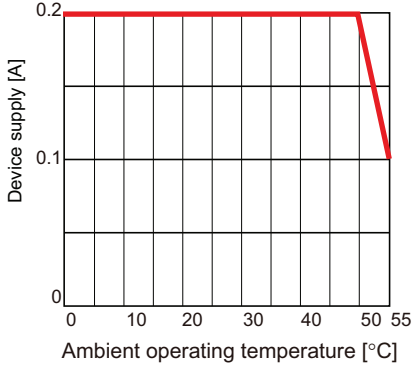
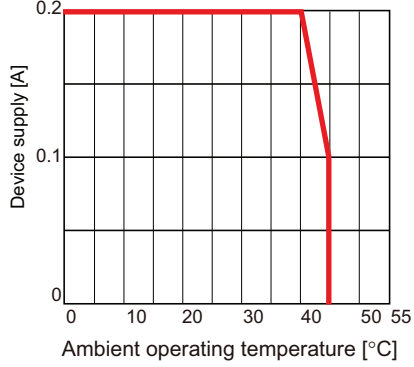
Note 1. The specifications of insulation resistance and dielectric strength vary with NX Unit Models.

Note 2. Refer to the OMRON website (www.ia.omron.com) or ask your OMRON representative for the most recent applicable standards for each model.

• **Unit Specifications**

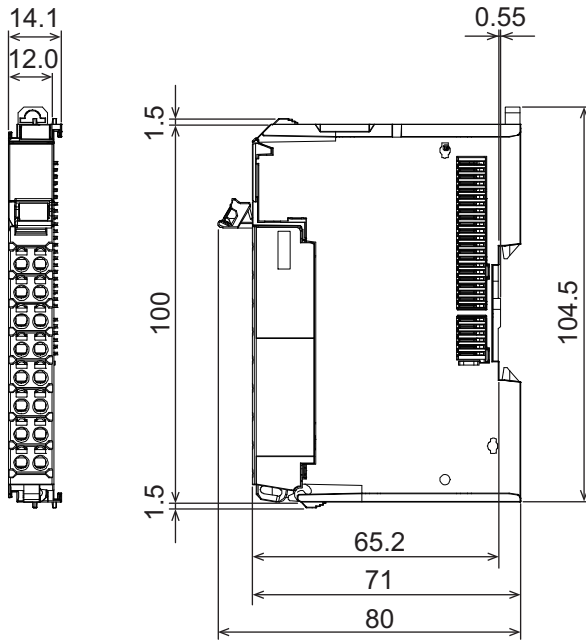
Item		Specification
Unit name		IO-Link Master Unit
Model		NX-ILM400
Number of ports		4
Communications specifications	Baud rate	COM1: 4.8kbps COM2: 38.4kbps COM3: 230.4kbps
	Rated voltage	24 VDC (20.4 to 28.8 VDC)
Power supply to devices in IO-Link Mode or SIO (DI) Mode	Supplied current	0.2 A/port
	Short-circuit protection	Provided.
Digital inputs (in SIO (DI) Mode)	Internal I/O common	PNP
	Rated voltage	24 VDC (20.4 to 28.8 VDC)
	Input current	5 mA typical (24 VDC)
	ON voltage/ON current	15 VDC min., 5 mA min.
	OFF voltage	5 VDC max.
	Input filter time	No filter, 0.25 ms, 0.5 ms, 1 ms (default), 2 ms, 4 ms, 8 ms, 16 ms, 32 ms, 64 ms, 128 ms, 256 ms
Digital outputs (in SIO (DO) Mode)	Internal I/O common	PNP
	Output type	Push-pull
	Rated voltage	24 VDC (20.4 to 28.8 VDC)
	Maximum load current	0.1 A/port
	Short-circuit protection	Provided.
	Leakage current	0.1 mA max.
	Residual voltage	1.5 V max.
Digital inputs for pin 2 (in IO-Link Mode)	Internal I/O common	PNP
	Rated voltage	24 VDC (20.4 to 28.8 VDC)
	Input current	2 mA typical (24 VDC)
	ON voltage/ON current	15 VDC min., 2 mA min.
	OFF voltage	5 VDC max.
	Input filter time	No filter, 0.25 ms, 0.5 ms, 1 ms (default), 2 ms, 4 ms, 8 ms, 16 ms, 32 ms, 64 ms, 128 ms, 256 ms
Cable specifications	Cable type	Unshielded
	Length	20 m max.
	Electrostatic capacity between lines	3 nF max.
	Loop resistance	6 Ω max.
External connection terminals		screwless clamping terminal block (16 terminals)
I/O refreshing method		Free-Run refreshing
Dimensions		12 × 100 × 71 mm (W×H×D)
Isolation method		Photocoupler isolation
Insulation resistance		20 MΩ min. at 100 VDC (between isolated circuits)

Item	Specification																						
Dielectric strength	510 VAC for 1 min, leakage current: 5 mA max.(between isolated circuits)																						
I/O power supply method	Supply from the NX bus																						
NX Unit power consumption	<ul style="list-style-type: none"> • Connected to a CPU Unit 1.05 W max. • Connected to a Communications Coupler Unit 0.80 W max. 																						
Current consumption from I/O power supply	50 mA																						
Weight	67 g																						
Circuit layout																							
Terminal connection diagram	<table border="1" data-bbox="630 952 885 1400"> <thead> <tr> <th colspan="2">IO-Link Master Unit NX-ILM400</th> </tr> <tr> <th>A1</th> <th>B1</th> </tr> </thead> <tbody> <tr> <td>P1_C/Q</td> <td>P2_C/Q</td> </tr> <tr> <td>P1_DI</td> <td>P2_DI</td> </tr> <tr> <td>P1_L+</td> <td>P2_L+</td> </tr> <tr> <td>P1_L-</td> <td>P2_L-</td> </tr> <tr> <td>P3_C/Q</td> <td>P4_C/Q</td> </tr> <tr> <td>P3_DI</td> <td>P4_DI</td> </tr> <tr> <td>P3_L+</td> <td>P4_L+</td> </tr> <tr> <td>P3_L-</td> <td>P4_L-</td> </tr> <tr> <td>A8</td> <td>B8</td> </tr> </tbody> </table>	IO-Link Master Unit NX-ILM400		A1	B1	P1_C/Q	P2_C/Q	P1_DI	P2_DI	P1_L+	P2_L+	P1_L-	P2_L-	P3_C/Q	P4_C/Q	P3_DI	P4_DI	P3_L+	P4_L+	P3_L-	P4_L-	A8	B8
IO-Link Master Unit NX-ILM400																							
A1	B1																						
P1_C/Q	P2_C/Q																						
P1_DI	P2_DI																						
P1_L+	P2_L+																						
P1_L-	P2_L-																						
P3_C/Q	P4_C/Q																						
P3_DI	P4_DI																						
P3_L+	P4_L+																						
P3_L-	P4_L-																						
A8	B8																						

Item	Specification																		
<p>Installation orientation and restrictions</p>	<ul style="list-style-type: none"> Connected to a CPU Unit The Unit can be in the upright installation orientation. <p>Upright Installation</p>  <table border="1"> <caption>Data for Upright Installation (CPU Unit)</caption> <thead> <tr> <th>Ambient operating temperature [°C]</th> <th>Device supply [A]</th> </tr> </thead> <tbody> <tr><td>0</td><td>0.2</td></tr> <tr><td>10</td><td>0.2</td></tr> <tr><td>20</td><td>0.2</td></tr> <tr><td>30</td><td>0.2</td></tr> <tr><td>40</td><td>0.2</td></tr> <tr><td>45</td><td>0.2</td></tr> <tr><td>50</td><td>0.15</td></tr> <tr><td>55</td><td>0.1</td></tr> </tbody> </table>	Ambient operating temperature [°C]	Device supply [A]	0	0.2	10	0.2	20	0.2	30	0.2	40	0.2	45	0.2	50	0.15	55	0.1
	Ambient operating temperature [°C]	Device supply [A]																	
	0	0.2																	
10	0.2																		
20	0.2																		
30	0.2																		
40	0.2																		
45	0.2																		
50	0.15																		
55	0.1																		
<ul style="list-style-type: none"> Connected to a Communications Coupler Unit The Unit can be installed in any of six possible orientations. There are restrictions on mounting orientations other than upright. <p>Upright Installation</p>  <table border="1"> <caption>Data for Upright Installation (Communications Coupler Unit)</caption> <thead> <tr> <th>Ambient operating temperature [°C]</th> <th>Device supply [A]</th> </tr> </thead> <tbody> <tr><td>0</td><td>0.2</td></tr> <tr><td>10</td><td>0.2</td></tr> <tr><td>20</td><td>0.2</td></tr> <tr><td>30</td><td>0.2</td></tr> <tr><td>40</td><td>0.2</td></tr> <tr><td>45</td><td>0.2</td></tr> <tr><td>50</td><td>0.15</td></tr> <tr><td>55</td><td>0.1</td></tr> </tbody> </table>	Ambient operating temperature [°C]	Device supply [A]	0	0.2	10	0.2	20	0.2	30	0.2	40	0.2	45	0.2	50	0.15	55	0.1	
Ambient operating temperature [°C]	Device supply [A]																		
0	0.2																		
10	0.2																		
20	0.2																		
30	0.2																		
40	0.2																		
45	0.2																		
50	0.15																		
55	0.1																		
<p>Any Installation Other Than Upright</p>  <table border="1"> <caption>Data for Any Installation Other Than Upright (Communications Coupler Unit)</caption> <thead> <tr> <th>Ambient operating temperature [°C]</th> <th>Device supply [A]</th> </tr> </thead> <tbody> <tr><td>0</td><td>0.2</td></tr> <tr><td>10</td><td>0.2</td></tr> <tr><td>20</td><td>0.2</td></tr> <tr><td>30</td><td>0.2</td></tr> <tr><td>38</td><td>0.2</td></tr> <tr><td>40</td><td>0.15</td></tr> <tr><td>45</td><td>0.1</td></tr> </tbody> </table>	Ambient operating temperature [°C]	Device supply [A]	0	0.2	10	0.2	20	0.2	30	0.2	38	0.2	40	0.15	45	0.1			
Ambient operating temperature [°C]	Device supply [A]																		
0	0.2																		
10	0.2																		
20	0.2																		
30	0.2																		
38	0.2																		
40	0.15																		
45	0.1																		
<p>Protective function</p>	<p>L+ terminal short-circuit protection C/Q terminal short-circuit protection</p>																		

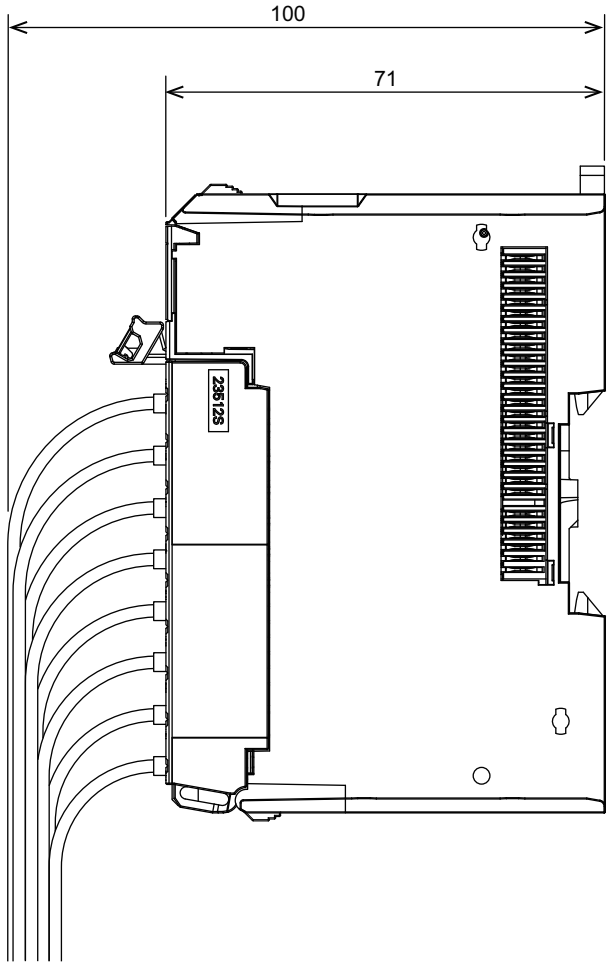
A-2 Dimensions

A-2-1 NX-series IO-Link Master Unit



(Unit: mm)

A-2-2 Installation Height



(Unit: mm)

A-3 List of NX Objects

This section explains the NX objects of the IO-Link Master Unit.

The method to access NX objects through instructions or other messages depends on where the NX Unit is connected.

If the NX Unit is connected to a CPU Unit, access is possible with the Read NX Unit Object instruction and the Write NX Unit Object instruction.

When the NX Unit is connected to a Communications Coupler Unit, the method depends on the connected communications master and Communications Coupler Unit.

Refer to the user's manual for the connected Communications Coupler Unit for method to use messages to access NX objects on Slave Terminals.

A-3-1 Format of NX Object Descriptions

In this manual, NX objects are described with the following format.

Index (hex)	Subindex (hex)	Object name	Default value	Data range	Unit	Data type	Access	I/O allocation	Data attribute
-------------	----------------	-------------	---------------	------------	------	-----------	--------	----------------	----------------

Index (hex)	:	This is the index of the NX object that is expressed as a four-digit hexadecimal number.
Subindex (hex)	:	This is the subindex of the NX object that is expressed as a two-digit hexadecimal number.
Object name	:	This is the name of the object. For a subindex, this is the name of the subindex.
Default value	:	This is the value that is set by default.
Data range	:	For a read-only (RO) NX object, this is the range of the data you can read. For a read-write (RW) NX object, this is the setting range of the data.
Unit	:	The unit is the physical units.
Data type	:	This is the data type of the object.
Access	:	This data tells if the object is read-only or read/write. RO: Read only RW: Read/write
I/O allocation	:	This tells whether I/O allocation is allowed.
Data attribute	:	This is the timing when changes to writable NX objects are enabled. Y: Enabled by restarting N: Enabled at all times ---: Write-prohibited

A-3-2 IO-Link Master Unit

Unit Information Objects

These objects are related to product information.

Index (hex)	Subindex (hex)	Object name	Default value	Data range	Unit	Data type	Access	I/O allocation	Data attribute
1000	---	NX Bus Identity	---	---	---	---	---	---	---
	00	Number of Entries		---	---	USINT	RO	Not possible	---
	02	Model	NX-ILM400*1	---	---	ARRAY[0..1] OF BYTE	RO	Not possible	---
	04	Product Code	0077040 0 hex	---	---	UDINT	RO	Not possible	---
	05	Vendor Code	0000000 1 hex	---	---	UDINT	RO	Not possible	---
	06	Unit Version	0100000 0 hex	---	---	UDINT	RO	Not possible	---
	07	Serial Number	*2	00000000 to FFFFFFFF hex	---	UDINT	RO	Not possible	---
1001	---	Production Info	---	---	---	---	---	---	---
	00	Number of Entries	4	4	---	USINT	RO	Not possible	---
	01	Lot Number	*3	00000000 to FFFFFFFF hex	---	UDINT	RO	Not possible	---
	02	Hardware Version	V1.00*4	---	---	ARRAY[0..19] OF BYTE	RO	Not possible	---
	03	Software Version	V1.00	---	---	ARRAY[0..19] OF BYTE	RO	Not possible	---

- *1. The product models are assigned in ascending order from the lowest number of array elements. Any remainder elements are filled with spaces.
- *2. A unique serial number is assigned to each product.
Bits 0 to 31: Serial number
- *3. The year, month, and day of production are assigned to the "lot number".
Bits 24 to 31: Day of production
Bits 16 to 23: Month of production
Bits 8 to 15: Year of production
Bits 0 to 7: Reserved
- *4. The hardware version is assigned in ascending order from the earliest number of array elements. Any remainder elements are filled with spaces.

Objects That Accept I/O Allocations

These objects accept I/O allocations.

If you assign any of the objects that are described below to I/O, you can no longer access those objects with the Read NX Unit Object instruction, Write NX Unit Object instruction, or other messages.

Index (hex)	Subindex (hex)	Object name	Default value	Data range	Unit	Data type	Access	I/O allocation	Data attribute
6000	---	I/O Port Status	---	---		---	---	---	---
	00	Number of Entries	1	1	---	USINT	RO	Not possible	---
	01	I/O Port Status* ¹	0000	0000 to FFFF hex	---	WORD	RO	Possible	---

*1. The following table shows the bit configuration of the *I/O Port Status* object. The status can be accessed either as WORD data or BOOL data.

Bit	Meaning	Default value	Data range	Unit	Data type	Access	I/O allocation	Data attribute
0	Port 1 Input Data Enabled Flag	FALSE	FALSE/TRUE	---	BOOL	RO	Possible	---
1	Port 2 Input Data Enabled Flag	FALSE	FALSE/TRUE	---	BOOL	RO	Possible	---
2	Port 3 Input Data Enabled Flag	FALSE	FALSE/TRUE	---	BOOL	RO	Possible	---
3	Port 4 Input Data Enabled Flag	FALSE	FALSE/TRUE	---	BOOL	RO	Possible	---
14	IO-Link Communications Module Processing Error	FALSE	FALSE/TRUE	---	BOOL	RO	Possible	---
15	I/O Power On/Off Status	FALSE	FALSE/TRUE	---	BOOL	RO	Possible	---

Index (hex)	Subindex (hex)	Object name	Default value	Data range	Unit	Data type	Access	I/O allocation	Data attribute
6001	---	Error Status for Ports 1 and 2	---	---		---	---	---	---
	00	Number of Entries	1	1	---	USINT	RO	Not possible	---
	01	Error Status for Ports 1 and 2*1	0000	0000 to FFFF hex	---	WORD	RO	Possible	---

*1. The contents of *Error Status for Ports 1 and 2* are given below. The status can be accessed either as WORD data or BOOL data.

Bit	Meaning	Default value	Data range	Unit	Data type	Access	I/O allocation	Data attribute
0	Port 1 IO-Link Communications Error Flag	FALSE	FALSE/TRUE	---	BOOL	RO	Possible	---
1	Port 1 I/O Short Detected Flag	FALSE	FALSE/TRUE	---	BOOL	RO	Possible	---
2	Port 1 Verification Error Flag	FALSE	FALSE/TRUE	---	BOOL	RO	Possible	---
3	Port 1 Device I/O Size Error Flag	FALSE	FALSE/TRUE	---	BOOL	RO	Possible	---
4	Port 1 Device Error-level Event Flag	FALSE	FALSE/TRUE	---	BOOL	RO	Possible	---
5	Port 1 Device Warning-level Event Flag	FALSE	FALSE/TRUE	---	BOOL	RO	Possible	---
6	Port 1 PDO Mapping Error Flag	FALSE	FALSE/TRUE	---	BOOL	RO	Possible	---
8	Port 2 IO-Link Communications Error Flag	FALSE	FALSE/TRUE	---	BOOL	RO	Possible	---
9	Port 2 I/O Short Detected Flag	FALSE	FALSE/TRUE	---	BOOL	RO	Possible	---
10	Port 2 Verification Error Flag	FALSE	FALSE/TRUE	---	BOOL	RO	Possible	---
11	Port 2 Device I/O Size Error Flag	FALSE	FALSE/TRUE	---	BOOL	RO	Possible	---
12	Port 2 Device Error-level Event Flag	FALSE	FALSE/TRUE	---	BOOL	RO	Possible	---
13	Port 2 Device Warning-level Event Flag	FALSE	FALSE/TRUE	---	BOOL	RO	Possible	---
14	Port 2 PDO Mapping Error Flag	FALSE	FALSE/TRUE	---	BOOL	RO	Possible	---

Index (hex)	Subindex (hex)	Object name	Default value	Data range	Unit	Data type	Accesses	I/O allocation	Data attribute
6002	---	Error Status for Ports 3 and 4	---	---		---	---	---	---
	00	Number of Entries	1	1	---	USINT	RO	Not possible	---
	01	Error Status for Ports 3 and 4*1	0000	0000 to FFFF hex	---	WORD	RO	Possible	---

*1. The contents of *Error Status for Ports 3 and 4* are given below. The status can be accessed either as WORD data or BOOL data.

Bit	Meaning	Default value	Data range	Unit	Data type	Access	I/O allocation	Data attribute
0	Port 3 IO-Link Communications Error Flag	FALSE	FALSE/TRUE	---	BOOL	RO	Possible	---
1	Port 3 I/O Short Detected Flag	FALSE	FALSE/TRUE	---	BOOL	RO	Possible	---
2	Port 3 Verification Error Flag	FALSE	FALSE/TRUE	---	BOOL	RO	Possible	---
3	Port 3 Device I/O Size Error Flag	FALSE	FALSE/TRUE	---	BOOL	RO	Possible	---
4	Port 3 Device Error-level Event Flag	FALSE	FALSE/TRUE	---	BOOL	RO	Possible	---
5	Port 3 Device Warning-level Event Flag	FALSE	FALSE/TRUE	---	BOOL	RO	Possible	---
6	Port 3 PDO Mapping Error Flag	FALSE	FALSE/TRUE	---	BOOL	RO	Possible	---
8	Port 4 IO-Link Communications Error Flag	FALSE	FALSE/TRUE	---	BOOL	RO	Possible	---
9	Port 4 I/O Short Detected Flag	FALSE	FALSE/TRUE	---	BOOL	RO	Possible	---
10	Port 4 Verification Error Flag	FALSE	FALSE/TRUE	---	BOOL	RO	Possible	---
11	Port 4 Device I/O Size Error Flag	FALSE	FALSE/TRUE	---	BOOL	RO	Possible	---
12	Port 4 Device Error-level Event Flag	FALSE	FALSE/TRUE	---	BOOL	RO	Possible	---
13	Port 4 Device Warning-level Event Flag	FALSE	FALSE/TRUE	---	BOOL	RO	Possible	---
14	Port 4 PDO Mapping Error Flag	FALSE	FALSE/TRUE	---	BOOL	RO	Possible	---

Index (hex)	Subindex (hex)	Object name	Default value	Data range	Unit	Data type	Access	I/O allocation	Data attribute
6003	---	Digital Input Data	---	---		---	---	---	---
	00	Number of Entries	1	1	---	USINT	RO	Not possible	---
	01	Digital Input Data*1	0000	0000 to FFFF hex	---	WORD	RO	Possible	---

*1. The following table shows the bit configuration of the *Digital Input Data* object. The status can be accessed either as WORD data or BOOL data.

Bit	Meaning	Default value	Data range	Unit	Data type	Access	I/O allocation	Data attribute
1	Port 1 Digital Input Bit	FALSE	FALSE/TRUE	---	BOOL	RO	Possible	---
2	Port 2 Digital Input Bit	FALSE	FALSE/TRUE	---	BOOL	RO	Possible	---
3	Port 3 Digital Input Bit	FALSE	FALSE/TRUE	---	BOOL	RO	Possible	---
4	Port 4 Digital Input Bit	FALSE	FALSE/TRUE	---	BOOL	RO	Possible	---

Index (hex)	Sub-index (hex)	Object name	Default value	Data range	Unit	Data type	Access	I/O allocation	Data attribute
6004	---	Port 1 Input Data	---	---		---	---	---	---
	00	Number of Entries	10	00 to 10 hex	---	USINT	RO	Not possible	---
	01	Port 1 Input Data 01	0000	0000 to FFFF hex	---	ARRAY[0..1] OF BYTE	RO	Possible	---
	02	Port 1 Input Data 02	0000	0000 to FFFF hex	---	ARRAY[0..1] OF BYTE	RO	Possible	---
	03	Port 1 Input Data 03	0000	0000 to FFFF hex	---	ARRAY[0..1] OF BYTE	RO	Possible	---
	04	Port 1 Input Data 04	0000	0000 to FFFF hex	---	ARRAY[0..1] OF BYTE	RO	Possible	---
	05	Port 1 Input Data 05	0000	0000 to FFFF hex	---	ARRAY[0..1] OF BYTE	RO	Possible	---
	06	Port 1 Input Data 06	0000	0000 to FFFF hex	---	ARRAY[0..1] OF BYTE	RO	Possible	---
	07	Port 1 Input Data 07	0000	0000 to FFFF hex	---	ARRAY[0..1] OF BYTE	RO	Possible	---
	08	Port 1 Input Data 08	0000	0000 to FFFF hex	---	ARRAY[0..1] OF BYTE	RO	Possible	---
	09	Port 1 Input Data 09	0000	0000 to FFFF hex	---	ARRAY[0..1] OF BYTE	RO	Possible	---
	0A	Port 1 Input Data 10	0000	0000 to FFFF hex	---	ARRAY[0..1] OF BYTE	RO	Possible	---
	0B	Port 1 Input Data 11	0000	0000 to FFFF hex	---	ARRAY[0..1] OF BYTE	RO	Possible	---
	0C	Port 1 Input Data 12	0000	0000 to FFFF hex	---	ARRAY[0..1] OF BYTE	RO	Possible	---
	0D	Port 1 Input Data 13	0000	0000 to FFFF hex	---	ARRAY[0..1] OF BYTE	RO	Possible	---
	0E	Port 1 Input Data 14	0000	0000 to FFFF hex	---	ARRAY[0..1] OF BYTE	RO	Possible	---
	0F	Port 1 Input Data 15	0000	0000 to FFFF hex	---	ARRAY[0..1] OF BYTE	RO	Possible	---
	10	Port 1 Input Data 16	0000	0000 to FFFF hex	---	ARRAY[0..1] OF BYTE	RO	Possible	---

Index (hex)	Subindex (hex)	Object name	Default value	Data range	Unit	Data type	Access	I/O allocation	Data attribute
6005	---	Port 2 Input Data	---	---		---	---	---	---
	00	Number of Entries	10	00 to 10 hex	---	USINT	RO	Not possible	---
	01	Port 2 Input Data 01	0000	0000 to FFFF hex	---	ARRAY[0..1] OF BYTE	RO	Possible	---
	02	Port 2 Input Data 02	0000	0000 to FFFF hex	---	ARRAY[0..1] OF BYTE	RO	Possible	---
	03	Port 2 Input Data 03	0000	0000 to FFFF hex	---	ARRAY[0..1] OF BYTE	RO	Possible	---
	04	Port 2 Input Data 04	0000	0000 to FFFF hex	---	ARRAY[0..1] OF BYTE	RO	Possible	---
	05	Port 2 Input Data 05	0000	0000 to FFFF hex	---	ARRAY[0..1] OF BYTE	RO	Possible	---
	06	Port 2 Input Data 06	0000	0000 to FFFF hex	---	ARRAY[0..1] OF BYTE	RO	Possible	---
	07	Port 2 Input Data 07	0000	0000 to FFFF hex	---	ARRAY[0..1] OF BYTE	RO	Possible	---
	08	Port 2 Input Data 08	0000	0000 to FFFF hex	---	ARRAY[0..1] OF BYTE	RO	Possible	---
	09	Port 2 Input Data 09	0000	0000 to FFFF hex	---	ARRAY[0..1] OF BYTE	RO	Possible	---
	0A	Port 2 Input Data 10	0000	0000 to FFFF hex	---	ARRAY[0..1] OF BYTE	RO	Possible	---
	0B	Port 2 Input Data 11	0000	0000 to FFFF hex	---	ARRAY[0..1] OF BYTE	RO	Possible	---
	0C	Port 2 Input Data 12	0000	0000 to FFFF hex	---	ARRAY[0..1] OF BYTE	RO	Possible	---
	0D	Port 2 Input Data 13	0000	0000 to FFFF hex	---	ARRAY[0..1] OF BYTE	RO	Possible	---
	0E	Port 2 Input Data 14	0000	0000 to FFFF hex	---	ARRAY[0..1] OF BYTE	RO	Possible	---
	0F	Port 2 Input Data 15	0000	0000 to FFFF hex	---	ARRAY[0..1] OF BYTE	RO	Possible	---
	10	Port 2 Input Data 16	0000	0000 to FFFF hex	---	ARRAY[0..1] OF BYTE	RO	Possible	---

Index (hex)	Sub-index (hex)	Object name	Default value	Data range	Unit	Data type	Access	I/O allocation	Data attribute
6006	---	Port 3 Input Data	---	---		---	---	---	---
	00	Number of Entries	10	00 to 10 hex	---	USINT	RO	Not possible	---
	01	Port 3 Input Data 01	0000	0000 to FFFF hex	---	ARRAY[0..1] OF BYTE	RO	Possible	---
	02	Port 3 Input Data 02	0000	0000 to FFFF hex	---	ARRAY[0..1] OF BYTE	RO	Possible	---
	03	Port 3 Input Data 03	0000	0000 to FFFF hex	---	ARRAY[0..1] OF BYTE	RO	Possible	---
	04	Port 3 Input Data 04	0000	0000 to FFFF hex	---	ARRAY[0..1] OF BYTE	RO	Possible	---
	05	Port 3 Input Data 05	0000	0000 to FFFF hex	---	ARRAY[0..1] OF BYTE	RO	Possible	---
	06	Port 3 Input Data 06	0000	0000 to FFFF hex	---	ARRAY[0..1] OF BYTE	RO	Possible	---
	07	Port 3 Input Data 07	0000	0000 to FFFF hex	---	ARRAY[0..1] OF BYTE	RO	Possible	---
	08	Port 3 Input Data 08	0000	0000 to FFFF hex	---	ARRAY[0..1] OF BYTE	RO	Possible	---
	09	Port 3 Input Data 09	0000	0000 to FFFF hex	---	ARRAY[0..1] OF BYTE	RO	Possible	---
	0A	Port 3 Input Data 10	0000	0000 to FFFF hex	---	ARRAY[0..1] OF BYTE	RO	Possible	---
	0B	Port 3 Input Data 11	0000	0000 to FFFF hex	---	ARRAY[0..1] OF BYTE	RO	Possible	---
	0C	Port 3 Input Data 12	0000	0000 to FFFF hex	---	ARRAY[0..1] OF BYTE	RO	Possible	---
	0D	Port 3 Input Data 13	0000	0000 to FFFF hex	---	ARRAY[0..1] OF BYTE	RO	Possible	---
	0E	Port 3 Input Data 14	0000	0000 to FFFF hex	---	ARRAY[0..1] OF BYTE	RO	Possible	---
	0F	Port 3 Input Data 15	0000	0000 to FFFF hex	---	ARRAY[0..1] OF BYTE	RO	Possible	---
	10	Port 3 Input Data 16	0000	0000 to FFFF hex	---	ARRAY[0..1] OF BYTE	RO	Possible	---

Index (hex)	Subindex (hex)	Object name	Default value	Data range	Unit	Data type	Access	I/O allocation	Data attribute
6007	---	Port 4 Input Data	---	---		---	---	---	---
	00	Number of Entries	10	00 to 10 hex	---	USINT	RO	Not possible	---
	01	Port 4 Input Data 01	0000	0000 to FFFF hex	---	ARRAY[0..1] OF BYTE	RO	Possible	---
	02	Port 4 Input Data 02	0000	0000 to FFFF hex	---	ARRAY[0..1] OF BYTE	RO	Possible	---
	03	Port 4 Input Data 03	0000	0000 to FFFF hex	---	ARRAY[0..1] OF BYTE	RO	Possible	---
	04	Port 4 Input Data 04	0000	0000 to FFFF hex	---	ARRAY[0..1] OF BYTE	RO	Possible	---
	05	Port 4 Input Data 05	0000	0000 to FFFF hex	---	ARRAY[0..1] OF BYTE	RO	Possible	---
	06	Port 4 Input Data 06	0000	0000 to FFFF hex	---	ARRAY[0..1] OF BYTE	RO	Possible	---
	07	Port 4 Input Data 07	0000	0000 to FFFF hex	---	ARRAY[0..1] OF BYTE	RO	Possible	---
	08	Port 4 Input Data 08	0000	0000 to FFFF hex	---	ARRAY[0..1] OF BYTE	RO	Possible	---
	09	Port 4 Input Data 09	0000	0000 to FFFF hex	---	ARRAY[0..1] OF BYTE	RO	Possible	---
	0A	Port 4 Input Data 10	0000	0000 to FFFF hex	---	ARRAY[0..1] OF BYTE	RO	Possible	---
	0B	Port 4 Input Data 11	0000	0000 to FFFF hex	---	ARRAY[0..1] OF BYTE	RO	Possible	---
	0C	Port 4 Input Data 12	0000	0000 to FFFF hex	---	ARRAY[0..1] OF BYTE	RO	Possible	---
	0D	Port 4 Input Data 13	0000	0000 to FFFF hex	---	ARRAY[0..1] OF BYTE	RO	Possible	---
	0E	Port 4 Input Data 14	0000	0000 to FFFF hex	---	ARRAY[0..1] OF BYTE	RO	Possible	---
	0F	Port 4 Input Data 15	0000	0000 to FFFF hex	---	ARRAY[0..1] OF BYTE	RO	Possible	---
	10	Port 4 Input Data 16	0000	0000 to FFFF hex	---	ARRAY[0..1] OF BYTE	RO	Possible	---

Index (hex)	Subindex (hex)	Object name	Default value	Data range	Unit	Data type	Access	I/O allocation	Data attribute
7000	---	Digital Output Data	---	---		---	---	---	---
	00	Number of Entries	1	1	---	USINT	RO	Not possible	---
	01	Digital Output Data*1	0000	0000 to FFFF hex	---	WORD	RW	Possible	N

*1. The following table shows the bit configuration of the *Digital Output Data* object. The status can be accessed either as WORD data or BOOL data.

Bit	Meaning	Default value	Data range	Unit	Data type	Access	I/O allocation	Data attribute
1	Port 1 Digital Output Bit	FALSE	FALSE/TRUE	---	BOOL	RO	Possible	---
2	Port 2 Digital Output Bit	FALSE	FALSE/TRUE	---	BOOL	RO	Possible	---
3	Port 3 Digital Output Bit	FALSE	FALSE/TRUE	---	BOOL	RO	Possible	---
4	Port 4 Digital Output Bit	FALSE	FALSE/TRUE	---	BOOL	RO	Possible	---

Index (hex)	Subindex (hex)	Object name	Default value	Data range	Unit	Data type	Access	I/O allocation	Data attribute
7001	---	Port 1 Output Data	---	---		---	---	---	---
	00	Number of Entries	10	10 hex	---	USINT	RO	Not possible	---
	01	Port 1 Output Data 01	0000	0000 to FFFF hex	---	ARRAY[0..1] OF BYTE	RW	Possible	N
	02	Port 1 Output Data 02	0000	0000 to FFFF hex	---	ARRAY[0..1] OF BYTE	RW	Possible	N
	03	Port 1 Output Data 03	0000	0000 to FFFF hex	---	ARRAY[0..1] OF BYTE	RW	Possible	N
	04	Port 1 Output Data 04	0000	0000 to FFFF hex	---	ARRAY[0..1] OF BYTE	RW	Possible	N
	05	Port 1 Output Data 05	0000	0000 to FFFF hex	---	ARRAY[0..1] OF BYTE	RW	Possible	N
	06	Port 1 Output Data 06	0000	0000 to FFFF hex	---	ARRAY[0..1] OF BYTE	RW	Possible	N
	07	Port 1 Output Data 07	0000	0000 to FFFF hex	---	ARRAY[0..1] OF BYTE	RW	Possible	N
	08	Port 1 Output Data 08	0000	0000 to FFFF hex	---	ARRAY[0..1] OF BYTE	RW	Possible	N
	09	Port 1 Output Data 09	0000	0000 to FFFF hex	---	ARRAY[0..1] OF BYTE	RW	Possible	N
	0A	Port 1 Output Data 10	0000	0000 to FFFF hex	---	ARRAY[0..1] OF BYTE	RW	Possible	N
	0B	Port 1 Output Data 11	0000	0000 to FFFF hex	---	ARRAY[0..1] OF BYTE	RW	Possible	N
	0C	Port 1 Output Data 12	0000	0000 to FFFF hex	---	ARRAY[0..1] OF BYTE	RW	Possible	N
	0D	Port 1 Output Data 13	0000	0000 to FFFF hex	---	ARRAY[0..1] OF BYTE	RW	Possible	N
	0E	Port 1 Output Data 14	0000	0000 to FFFF hex	---	ARRAY[0..1] OF BYTE	RW	Possible	N
	0F	Port 1 Output Data 15	0000	0000 to FFFF hex	---	ARRAY[0..1] OF BYTE	RW	Possible	N
	10	Port 1 Output Data 16	0000	0000 to FFFF hex	---	ARRAY[0..1] OF BYTE	RW	Possible	N

Index (hex)	Sub-index (hex)	Object name	Default value	Data range	Unit	Data type	Access	I/O allocation	Data attribute
7002	---	Port 2 Output Data	---	---		---	---	---	---
	00	Number of Entries	10	10 hex	---	USINT	RO	Not possible	---
	01	Port 2 Output Data 01	0000	0000 to FFFF hex	---	ARRAY[0..1] OF BYTE	RW	Possible	N
	02	Port 2 Output Data 02	0000	0000 to FFFF hex	---	ARRAY[0..1] OF BYTE	RW	Possible	N
	03	Port 2 Output Data 03	0000	0000 to FFFF hex	---	ARRAY[0..1] OF BYTE	RW	Possible	N
	04	Port 2 Output Data 04	0000	0000 to FFFF hex	---	ARRAY[0..1] OF BYTE	RW	Possible	N
	05	Port 2 Output Data 05	0000	0000 to FFFF hex	---	ARRAY[0..1] OF BYTE	RW	Possible	N
	06	Port 2 Output Data 06	0000	0000 to FFFF hex	---	ARRAY[0..1] OF BYTE	RW	Possible	N
	07	Port 2 Output Data 07	0000	0000 to FFFF hex	---	ARRAY[0..1] OF BYTE	RW	Possible	N
	08	Port 2 Output Data 08	0000	0000 to FFFF hex	---	ARRAY[0..1] OF BYTE	RW	Possible	N
	09	Port 2 Output Data 09	0000	0000 to FFFF hex	---	ARRAY[0..1] OF BYTE	RW	Possible	N
	0A	Port 2 Output Data 10	0000	0000 to FFFF hex	---	ARRAY[0..1] OF BYTE	RW	Possible	N
	0B	Port 2 Output Data 11	0000	0000 to FFFF hex	---	ARRAY[0..1] OF BYTE	RW	Possible	N
	0C	Port 2 Output Data 12	0000	0000 to FFFF hex	---	ARRAY[0..1] OF BYTE	RW	Possible	N
	0D	Port 2 Output Data 13	0000	0000 to FFFF hex	---	ARRAY[0..1] OF BYTE	RW	Possible	N
	0E	Port 2 Output Data 14	0000	0000 to FFFF hex	---	ARRAY[0..1] OF BYTE	RW	Possible	N
	0F	Port 2 Output Data 15	0000	0000 to FFFF hex	---	ARRAY[0..1] OF BYTE	RW	Possible	N
	10	Port 2 Output Data 16	0000	0000 to FFFF hex	---	ARRAY[0..1] OF BYTE	RW	Possible	N

Index (hex)	Subindex (hex)	Object name	Default value	Data range	Unit	Data type	Access	I/O allocation	Data attribute
7003	---	Port 3 Output Data	---	---		---	---	---	---
	00	Number of Entries	10	10 hex	---	USINT	RO	Not possible	---
	01	Port 3 Output Data 01	0000	0000 to FFFF hex	---	ARRAY[0..1] OF BYTE	RW	Possible	N
	02	Port 3 Output Data 02	0000	0000 to FFFF hex	---	ARRAY[0..1] OF BYTE	RW	Possible	N
	03	Port 3 Output Data 03	0000	0000 to FFFF hex	---	ARRAY[0..1] OF BYTE	RW	Possible	N
	04	Port 3 Output Data 04	0000	0000 to FFFF hex	---	ARRAY[0..1] OF BYTE	RW	Possible	N
	05	Port 3 Output Data 05	0000	0000 to FFFF hex	---	ARRAY[0..1] OF BYTE	RW	Possible	N
	06	Port 3 Output Data 06	0000	0000 to FFFF hex	---	ARRAY[0..1] OF BYTE	RW	Possible	N
	07	Port 3 Output Data 07	0000	0000 to FFFF hex	---	ARRAY[0..1] OF BYTE	RW	Possible	N
	08	Port 3 Output Data 08	0000	0000 to FFFF hex	---	ARRAY[0..1] OF BYTE	RW	Possible	N
	09	Port 3 Output Data 09	0000	0000 to FFFF hex	---	ARRAY[0..1] OF BYTE	RW	Possible	N
	0A	Port 3 Output Data 10	0000	0000 to FFFF hex	---	ARRAY[0..1] OF BYTE	RW	Possible	N
	0B	Port 3 Output Data 11	0000	0000 to FFFF hex	---	ARRAY[0..1] OF BYTE	RW	Possible	N
	0C	Port 3 Output Data 12	0000	0000 to FFFF hex	---	ARRAY[0..1] OF BYTE	RW	Possible	N
	0D	Port 3 Output Data 13	0000	0000 to FFFF hex	---	ARRAY[0..1] OF BYTE	RW	Possible	N
	0E	Port 3 Output Data 14	0000	0000 to FFFF hex	---	ARRAY[0..1] OF BYTE	RW	Possible	N
	0F	Port 3 Output Data 15	0000	0000 to FFFF hex	---	ARRAY[0..1] OF BYTE	RW	Possible	N
	10	Port 3 Output Data 16	0000	0000 to FFFF hex	---	ARRAY[0..1] OF BYTE	RW	Possible	N

Index (hex)	Sub-index (hex)	Object name	Default value	Data range	Unit	Data type	Access	I/O allocation	Data attribute
7004	---	Port 4 Output Data	---	---		---	---	---	---
	00	Number of Entries	10	10 hex	---	USINT	RO	Not possible	---
	01	Port 4 Output Data 01	0000	0000 to FFFF hex	---	ARRAY[0..1] OF BYTE	RW	Possible	N
	02	Port 4 Output Data 02	0000	0000 to FFFF hex	---	ARRAY[0..1] OF BYTE	RW	Possible	N
	03	Port 4 Output Data 03	0000	0000 to FFFF hex	---	ARRAY[0..1] OF BYTE	RW	Possible	N
	04	Port 4 Output Data 04	0000	0000 to FFFF hex	---	ARRAY[0..1] OF BYTE	RW	Possible	N
	05	Port 4 Output Data 05	0000	0000 to FFFF hex	---	ARRAY[0..1] OF BYTE	RW	Possible	N
	06	Port 4 Output Data 06	0000	0000 to FFFF hex	---	ARRAY[0..1] OF BYTE	RW	Possible	N
	07	Port 4 Output Data 07	0000	0000 to FFFF hex	---	ARRAY[0..1] OF BYTE	RW	Possible	N
	08	Port 4 Output Data 08	0000	0000 to FFFF hex	---	ARRAY[0..1] OF BYTE	RW	Possible	N
	09	Port 4 Output Data 09	0000	0000 to FFFF hex	---	ARRAY[0..1] OF BYTE	RW	Possible	N
	0A	Port 4 Output Data 10	0000	0000 to FFFF hex	---	ARRAY[0..1] OF BYTE	RW	Possible	N
	0B	Port 4 Output Data 11	0000	0000 to FFFF hex	---	ARRAY[0..1] OF BYTE	RW	Possible	N
	0C	Port 4 Output Data 12	0000	0000 to FFFF hex	---	ARRAY[0..1] OF BYTE	RW	Possible	N
	0D	Port 4 Output Data 13	0000	0000 to FFFF hex	---	ARRAY[0..1] OF BYTE	RW	Possible	N
	0E	Port 4 Output Data 14	0000	0000 to FFFF hex	---	ARRAY[0..1] OF BYTE	RW	Possible	N
	0F	Port 4 Output Data 15	0000	0000 to FFFF hex	---	ARRAY[0..1] OF BYTE	RW	Possible	N
	10	Port 4 Output Data 16	0000	0000 to FFFF hex	---	ARRAY[0..1] OF BYTE	RW	Possible	N

Other Objects

This section lists other objects.

Index (hex)	Sub-index (hex)	Object name	Default value	Data range	Unit	Data type	Access	I/O allocation	Data attribute
5001	---	IO-Link Device Verification Settings	---	---		---	---	---	
	00	Number of Entries	04 hex	04 hex	---	USINT	RO	Not possible	---
	01	Port 1 Device Verification Setting	00 hex	00 to 02 hex ^{*1}	---	USINT	RW	Not possible	Y
	02	Port 2 Device Verification Setting	00 hex	00 to 02 hex ^{*1}	---	USINT	RW	Not possible	Y
	03	Port 3 Device Verification Setting	00 hex	00 to 02 hex ^{*1}	---	USINT	RW	Not possible	Y
	04	Port 4 Device Verification Setting	00 hex	00 to 02 hex ^{*1}	---	USINT	RW	Not possible	Y

*1. The meanings of the set values for the **Device Verification Settings** are as follows:

Set value	Meaning
00 hex	Do not check.
01 hex	Devices are verified for the vendor ID, device ID, and IO-Link revision.
02 hex	Devices are verified for the vendor ID, device ID, IO-Link revision, and serial number.

Index (hex)	Sub-index (hex)	Object name	Default value	Data range	Unit	Data type	Access	I/O allocation	Data attribute
5002	---	Backup Settings	---	---		---	---	---	
	00	Number of Entries	04 hex	04 hex	---	USINT	RO	Not possible	---
	01	Port 1 Backup Setting	00 hex	00 or 01 hex ^{*1}	---	USINT	RW	Not possible	Y
	02	Port 2 Backup Setting	00 hex	00 or 01 hex ^{*1}	---	USINT	RW	Not possible	Y
	03	Port 3 Backup Setting	00 hex	00 or 01 hex ^{*1}	---	USINT	RW	Not possible	Y
	04	Port 4 Backup Setting	00 hex	00 or 01 hex ^{*1}	---	USINT	RW	Not possible	Y

*1. The meanings of the set values for the **Backup Settings** are as follows:

Set value	Meaning
00 hex	The backup functions are disabled.
01 hex	The backup functions are enabled.

Index (hex)	Sub-index (hex)	Object name	Default value	Data range	Unit	Data type	Access	I/O allocation	Data attribute
5003	---	Restoration Settings	---	---		---	---	---	
	00	Number of Entries	04 hex	04 hex	---	USINT	RO	Not possible	---
	01	Port 1 Restoration Setting	00 hex	00 or 01 hex ^{*1}	---	USINT	RW	Not possible	Y
	02	Port 2 Restoration Setting	00 hex	00 or 01 hex ^{*1}	---	USINT	RW	Not possible	Y
	03	Port 3 Restoration Setting	00 hex	00 or 01 hex ^{*1}	---	USINT	RW	Not possible	Y
	04	Port 4 Restoration Setting	00 hex	00 or 01 hex ^{*1}	---	USINT	RW	Not possible	Y

*1. The meanings of the set values for the **Restoration Settings** are as follows:

Set value	Meaning
00 hex	Restoration is disabled.
01 hex	Restoration is enabled.

Index (hex)	Sub-index (hex)	Object name	Default value	Data range	Unit	Data type	Access	I/O allocation	Data attribute
5004	---	Load Rejection Output Settings	---	---		---	---	---	
	00	Number of Entries	04 hex	04 hex	---	USINT	RO	Not possible	---
	01	Port 1 Load Rejection Output Setting	00 hex	00 or 01 hex ^{*1}	---	USINT	RW	Not possible	Y
	02	Port 2 Load Rejection Output Setting	00 hex	00 or 01 hex ^{*1}	---	USINT	RW	Not possible	Y
	03	Port 3 Load Rejection Output Setting	00 hex	00 or 01 hex ^{*1}	---	USINT	RW	Not possible	Y
	04	Port 4 Load Rejection Output Setting	00 hex	00 or 01 hex ^{*1}	---	USINT	RW	Not possible	Y

*1. The **Load Rejection Output Settings** are used to set the load rejection outputs to use when controller communications errors occur. The meanings of the set values are as follows:

Set value	Meaning
00 hex	<ul style="list-style-type: none"> IO-Link Mode Enabled: Output rejection notification is sent to the IO-Link device. SIO (DO) Mode Enabled: The output value is cleared to OFF.
01 hex	<ul style="list-style-type: none"> IO-Link Mode Disabled: IO-Link communications continue with the last output data that was received. SIO (DO) Mode Disabled: The output that was last received is retained.

Index (hex)	Sub-index (hex)	Object name	Default value	Data range	Unit	Data type	Access	I/O allocation	Data attribute
5005	---	Input Filter Settings	---	---		---	---	---	
	00	Number of Entries	04 hex	04 hex	---	USINT	RO	Not possible	---
	01	Port 1 Input Filter Value Setting	03 hex	00 to 0B hex ^{*1}	---	USINT	RW	Not possible	Y
	02	Port 2 Input Filter Value Setting	03 hex	00 to 0B hex ^{*1}	---	USINT	RW	Not possible	Y
	03	Port 3 Input Filter Value Setting	03 hex	00 to 0B hex ^{*1}	---	USINT	RW	Not possible	Y
	04	Port 4 Input Filter Value Setting	03 hex	00 to 0B hex ^{*1}	---	USINT	RW	Not possible	Y

*1. Set the filter times for the digital input signals in the **Input Filter Settings** object. The meanings of the set values are as follows:

Set value	Meaning
00 hex	No filter
01 hex	0.25 ms
02 hex	0.5 ms
03 hex	1 ms (default)
04 hex	2 ms
05 hex	4 ms
06 hex	8 ms
07 hex	16 ms
08 hex	32 ms
09 hex	64 ms
0A hex	128 ms
0B hex	256 ms

Index (hex)	Sub-index (hex)	Object name	Default value	Data range	Unit	Data type	Access	I/O allocation	Data attribute
5006	---	Port 1 IO-Link Device Configuration Settings	---	---		---	---	---	
	00	Number of Entries	0B hex	0B hex	---	USINT	RO	Not possible	---
	01	Device ID	0 hex	00000000 to 00FFFFFF hex	---	UDINT	RW	Not possible	Y
	02	Vendor ID	0 hex	00000000 to 0000FFFF hex	---	UDINT	RW	Not possible	Y
	05	Serial Number	---	16 characters max.	---	STRING (16)	RW	Not possible	Y
	06	IO-Link Revision	00 hex	00 to FF hex	---	USINT	RW	Not possible	Y
	09	IO-Link Input Data Size	02 hex	00 to 20 hex	Byte	USINT	RW	Not possible	Y
	0A	IO-Link Output Data Size	02 hex	00 to 20 hex	Byte	USINT	RW	Not possible	Y
	0B	Master Control Communications Mode Setting	03 hex	00 to 03 hex ^{*1}	---	USINT	RW	Not possible	Y
5007	---	Port 2 IO-Link Device Configuration Settings	---	---		---	---	---	
	00	Number of Entries	0B hex	0B hex	---	USINT	RO	Not possible	---
	01	Device ID	0 hex	00000000 to 00FFFFFF hex	---	UDINT	RW	Not possible	Y
	02	Vendor ID	0 hex	00000000 to 0000FFFF hex	---	UDINT	RW	Not possible	Y
	05	Serial Number	---	16 characters max.	---	STRING (16)	RW	Not possible	Y
	06	IO-Link Revision	00 hex	00 to FF hex	---	USINT	RW	Not possible	Y
	09	IO-Link Input Data Size	02 hex	00 to 20 hex	Byte	USINT	RW	Not possible	Y
	0A	IO-Link Output Data Size	02 hex	00 to 20 hex	Byte	USINT	RW	Not possible	Y
	0B	Master Control Communications Mode Setting	03 hex	00 to 03 hex ^{*1}	---	USINT	RW	Not possible	Y

Index (hex)	Subindex (hex)	Object name	Default value	Data range	Unit	Data type	Access	I/O allocation	Data attribute
5008	---	Port 3 IO-Link Device Configuration Settings	---	---		---	---	---	
	00	Number of Entries	0B hex	0B hex	---	USINT	RO	Not possible	---
	01	Device ID	0 hex	00000000 to 00FFFFFF hex	---	UDINT	RW	Not possible	Y
	02	Vendor ID	0 hex	00000000 to 0000FFFF hex	---	UDINT	RW	Not possible	Y
	05	Serial Number	---	16 characters max.	---	STRING (16)	RW	Not possible	Y
	06	IO-Link Revision	00 hex	00 to FF hex	---	USINT	RW	Not possible	Y
	09	IO-Link Input Data Size	02 hex	00 to 20 hex	Byte	USINT	RW	Not possible	Y
	0A	IO-Link Output Data Size	02 hex	00 to 20 hex	Byte	USINT	RW	Not possible	Y
	0B	Master Control Communications Mode Setting	03 hex	00 to 03 hex ^{*1}	---	USINT	RW	Not possible	Y
5009	---	Port 4 IO-Link Device Configuration Settings	---	---		---	---	---	
	00	Number of Entries	0B hex	0B hex	---	USINT	RO	Not possible	---
	01	Device ID	0 hex	00000000 to 00FFFFFF hex	---	UDINT	RW	Not possible	Y
	02	Vendor ID	0 hex	00000000 to 0000FFFF hex	---	UDINT	RW	Not possible	Y
	05	Serial Number	---	16 characters max.	---	STRING (16)	RW	Not possible	Y
	06	IO-Link Revision	00 hex	00 to FF hex	---	USINT	RW	Not possible	Y
	09	IO-Link Input Data Size	02 hex	00 to 20 hex	Byte	USINT	RW	Not possible	Y
	0A	IO-Link Output Data Size	02 hex	00 to 20 hex	Byte	USINT	RW	Not possible	Y
	0B	Master Control Communications Mode Setting	03 hex	00 to 03 hex ^{*1}	---	USINT	RW	Not possible	Y

*1. The communications mode for each port is set in **Master Control Communications Mode Setting**. The meanings of the set values are as follows:

Set value	Meaning
00 hex	Disable Port
01 hex	SIO (DI) Mode
02 hex	SIO (DO) Mode
03 hex	IO-Link Mode (default)

Index (hex)	Subindex (hex)	Object name	Default value	Data range	Unit	Data type	Access	I/O allocation	Data attribute
500A	---	Port 1 IO-Link Device Information Area	---	---		---	---	---	
	00	Number of Entries	0F hex	0F hex	---	USINT	RO	Not possible	---
	01	Device ID	0 hex	00000000 to 00FFFFFF hex	---	UDINT	RO	Not possible	---
	02	Vendor ID	0 hex	00000000 to FFFFFFFF hex	---	UDINT	RO	Not possible	---
	05	Serial Number	---	16 characters max.	---	STRING (16)	RO	Not possible	---
	06	IO-Link Revision	00 hex	00 to FF hex	---	USINT	RO	Not possible	---
	08	Cycle Time	00 hex	00 to FF hex	---	USINT	RO	Not possible	---
	09	IO-Link Input Data Size	00 hex	00 to 20 hex	Byte	USINT	RO	Not possible	---
	0A	IO-Link Output Data Size	00 hex	00 to 20 hex	Byte	USINT	RO	Not possible	---
	0C*1*2	Vendor Name of the Last Connected IO-Link Device	---	64 characters max.	---	STRING (64)	RW	Not possible	N
	0D*1*2	Product Name of the Last Connected IO-Link Device	---	64 characters max.	---	STRING (64)	RW	Not possible	N
	0E*1*3	Vendor Name	---	64 characters max.	---	STRING (64)	RO	Not possible	---
	0F*1*3	Product Name	---	64 characters max.	---	STRING (64)	RO	Not possible	---

Index (hex)	Sub-index (hex)	Object name	Default value	Data range	Unit	Data type	Access	I/O allocation	Data attribute
500B	---	Port 2 IO-Link Device Information Area	---	---		---	---	---	
	00	Number of Entries	0F hex	0F hex	---	USINT	RO	Not possible	---
	01	Device ID	0 hex	00000000 to 00FFFFFF hex	---	UDINT	RO	Not possible	---
	02	Vendor ID	0 hex	00000000 to FFFFFFFF hex	---	UDINT	RO	Not possible	---
	05	Serial Number	---	16 characters max.	---	STRING (16)	RO	Not possible	---
	06	IO-Link Revision	00 hex	00 to FF hex	---	USINT	RO	Not possible	---
	08	Cycle Time	00 hex	00 to FF hex	---	USINT	RO	Not possible	---
	09	IO-Link Input Data Size	00 hex	00 to 20 hex	Byte	USINT	RO	Not possible	---
	0A	IO-Link Output Data Size	00 hex	00 to 20 hex	Byte	USINT	RO	Not possible	---
	0C*1*2	Vendor Name of the Last Connected IO-Link Device	---	64 characters max.	---	STRING (64)	RW	Not possible	N
	0D*1*2	Product Name of the Last Connected IO-Link Device	---	64 characters max.	---	STRING (64)	RW	Not possible	N
	0E*1*3	Vendor Name	---	64 characters max.	---	STRING (64)	RO	Not possible	---
	0F*1*3	Product Name	---	64 characters max.	---	STRING (64)	RO	Not possible	---

Index (hex)	Subindex (hex)	Object name	Default value	Data range	Unit	Data type	Access	I/O allocation	Data attribute
500C	---	Port 3 IO-Link Device Information Area	---	---		---	---	---	
	00	Number of Entries	0F hex	0F hex	---	USINT	RO	Not possible	---
	01	Device ID	0 hex	00000000 to 00FFFFFF hex	---	UDINT	RO	Not possible	---
	02	Vendor ID	0 hex	00000000 to FFFFFFFF hex	---	UDINT	RO	Not possible	---
	05	Serial Number	---	16 characters max.	---	STRING (16)	RO	Not possible	---
	06	IO-Link Revision	00 hex	00 to FF hex	---	USINT	RO	Not possible	---
	08	Cycle Time	00 hex	00 to FF hex	---	USINT	RO	Not possible	---
	09	IO-Link Input Data Size	00 hex	00 to 20 hex	Byte	USINT	RO	Not possible	---
	0A	IO-Link Output Data Size	00 hex	00 to 20 hex	Byte	USINT	RO	Not possible	---
	0C*1*2	Vendor Name of the Last Connected IO-Link Device	---	64 characters max.	---	STRING (64)	RW	Not possible	N
	0D*1*2	Product Name of the Last Connected IO-Link Device	---	64 characters max.	---	STRING (64)	RW	Not possible	N
	0E*1*3	Vendor Name	---	64 characters max.	---	STRING (64)	RO	Not possible	---
	0F*1*3	Product Name	---	64 characters max.	---	STRING (64)	RO	Not possible	---

Index (hex)	Sub-index (hex)	Object name	Default value	Data range	Unit	Data type	Access	I/O allocation	Data attribute
500D	---	Port 4 IO-Link Device Information Area	---	---		---	---	---	
	00	Number of Entries	0F hex	0F hex	---	USINT	RO	Not possible	---
	01	Device ID	0 hex	00000000 to 00FFFFFF hex	---	UDINT	RO	Not possible	---
	02	Vendor ID	0 hex	00000000 to FFFFFFFF hex	---	UDINT	RO	Not possible	---
	05	Serial Number	---	16 characters max.	---	STRING (16)	RO	Not possible	---
	06	IO-Link Revision	00 hex	00 to FF hex	---	USINT	RO	Not possible	---
	08	Cycle Time	00 hex	00 to FF hex	---	USINT	RO	Not possible	---
	09	IO-Link Input Data Size	00 hex	00 to 20 hex	Byte	USINT	RO	Not possible	---
	0A	IO-Link Output Data Size	00 hex	00 to 20 hex	Byte	USINT	RO	Not possible	---
	0C ^{*1*2}	Vendor Name of the Last Connected IO-Link Device	---	64 characters max.	---	STRING (64)	RW	Not possible	N
	0D ^{*1*2}	Product Name of the Last Connected IO-Link Device	---	64 characters max.	---	STRING (64)	RW	Not possible	N
	0E ^{*1*3}	Vendor Name	---	64 characters max.	---	STRING (64)	RO	Not possible	---
	0F ^{*1*3}	Product Name	---	64 characters max.	---	STRING (64)	RO	Not possible	---

- *1. These subindexes are supported with the unit version 1.1 or later.
- *2. When an IO-Link device is connected, the vendor name and product name are written. Even if the IO-Link device is disconnected, its vendor name and product name are retained. This enables you to check the vendor name and product name of the connected IO-Link device before replacement if you replace an IO-Link device.
- *3. When an IO-Link device is connected, the vendor name and product name are written. The vendor name and product name of a currently connected IO-Link device can be checked. When the IO-Link device is disconnected, 64 zeros (0) are stored. With the ASCII code, for example, this will be 64 NUL.

Index (hex)	Subindex (hex)	Object name	Default value	Data range	Unit	Data type	Access	I/O allocation	Data attribute
500E	---	Lost Frames	---	---		---	---	---	
	00	Number of Entries	04 hex	04 hex	---	USINT	RO	Not possible	---
	01	Port 1 Lost Frames	00 hex	00 to FF hex	Frames	USINT	RW	Not possible	N
	02	Port 2 Lost Frames	00 hex	00 to FF hex	Frames	USINT	RW	Not possible	N
	03	Port 3 Lost Frames	00 hex	00 to FF hex	Frames	USINT	RW	Not possible	N
	04	Port 4 Lost Frames	00 hex	00 to FF hex	Frames	USINT	RW	Not possible	N

Index (hex)	Subindex (hex)	Object name	Default value	Data range	Unit	Data type	Access	I/O allocation	Data attribute
5014	---	Port1 Message for IO-Link device*1	---	---		---	---	---	
	00	Number of Entries	11 hex	11 hex	---	USINT	RO	Not possible	---
	01	Control	00 hex	00 to 03 hex*2	---	USINT	RW	Not possible	N
	02	Status	00 hex	00 to 05 hex*3	---	USINT	RO	Not possible	---
	03	Index*4	0000 hex	0000 to FFFF hex	---	UINT	RW	Not possible	N
	04	Subindex*5	00 hex	00 to FF hex	---	USINT	RW	Not possible	N
	05	Length*6	00 hex	00 to FF hex	---	USINT	RW	Not possible	N
	06	Data*7	*8	*9	---	ARRAY[0..231] OF BYTE	RW	Not possible	N
	07	Error Code*10	0000 hex	0000 to FFFF hex	---	UINT	RO	Not possible	---
	10	Timeout*11	0000 hex	0000 to FFFF hex	ms	UINT	RW	Not possible	N
	11	Sequence No*12	00 hex	00 to FF hex	---	USINT	RW	Not possible	N
5015	---	Port2 Message for IO-Link device*1	---	---		---	---	---	
	00	Number of Entries	11 hex	11 hex	---	USINT	RO	Not possible	---
	01	Control	00 hex	00 to 03 hex*2	---	USINT	RW	Not possible	N
	02	Status	00 hex	00 to 05 hex*3	---	USINT	RO	Not possible	---
	03	Index*4	0000 hex	0000 to FFFF hex	---	UINT	RW	Not possible	N
	04	Subindex*5	00 hex	00 to FF hex	---	USINT	RW	Not possible	N
	05	Length*6	00 hex	00 to FF hex	---	USINT	RW	Not possible	N
	06	Data*7	*8	*9	---	ARRAY[0..231] OF BYTE	RW	Not possible	N
	07	Error Code*10	0000 hex	0000 to FFFF hex	---	UINT	RO	Not possible	---
	10	Timeout*11	0000 hex	0000 to FFFF hex	ms	UINT	RW	Not possible	N
	11	Sequence No*12	00 hex	00 to FF hex	---	USINT	RW	Not possible	N

Index (hex)	Subindex (hex)	Object name	Default value	Data range	Unit	Data type	Access	I/O allocation	Data attribute
5016	---	Port3 Message for IO-Link Device ^{*1}	---	---		---	---	---	
	00	Number of Entries	11 hex	11 hex	---	USINT	RO	Not possible	---
	01	Control	00 hex	00 to 03 hex ^{*2}	---	USINT	RW	Not possible	N
	02	Status	00 hex	00 to 05 hex ^{*3}	---	USINT	RO	Not possible	---
	03	Index ^{*4}	0000 hex	0000 to FFFF hex	---	UINT	RW	Not possible	N
	04	Subindex ^{*5}	00 hex	00 to FF hex	---	USINT	RW	Not possible	N
	05	Length ^{*6}	00 hex	00 to FF hex	---	USINT	RW	Not possible	N
	06	Data ^{*7}	^{*8}	^{*9}	---	ARRAY[0..231] OF BYTE	RW	Not possible	N
	07	Error Code ^{*10}	0000 hex	0000 to FFFF hex	---	UINT	RO	Not possible	---
	10	Timeout ^{*11}	0000 hex	0000 to FFFF hex	ms	UINT	RW	Not possible	N
	11	Sequence No ^{*12}	00 hex	00 to FF hex	---	USINT	RW	Not possible	N
5017	---	Port4 Message for IO-Link Device ^{*1}	---	---		---	---	---	
	00	Number of Entries	11 hex	11 hex	---	USINT	RO	Not possible	---
	01	Control	00 hex	00 to 03 hex ^{*2}	---	USINT	RW	Not possible	N
	02	Status	00 hex	00 to 05 hex ^{*3}	---	USINT	RO	Not possible	---
	03	Index ^{*4}	0000 hex	0000 to FFFF hex	---	UINT	RW	Not possible	N
	04	Subindex ^{*5}	00 hex	00 to FF hex	---	USINT	RW	Not possible	N
	05	Length ^{*6}	00 hex	00 to FF hex	---	USINT	RW	Not possible	N
	06	Data ^{*7}	^{*8}	^{*9}	---	ARRAY[0..231] OF BYTE	RW	Not possible	N
	07	Error Code ^{*10}	0000 hex	0000 to FFFF hex	---	UINT	RO	Not possible	---
	10	Timeout ^{*11}	0000 hex	0000 to FFFF hex	ms	UINT	RW	Not possible	N
	11	Sequence No ^{*12}	00 hex	00 to FF hex	---	USINT	RW	Not possible	N

*1. These objects are used to send messages to the IO-Link device of each port. Refer to the appendix of the *IO-Link System User's Manual (Cat. No. W570)* for the method to access the IO-Link devices through messages.

*2. Controls reading and writing of messages to be sent. The meanings of the set values are as follows:

Set value	Meaning
00 hex	No processing
01 hex	Reserved
02 hex	Write
03 hex	Read

*3. Indicates the state of the IO-Link master and the IO-Link device when a sent message is received. The meanings of the values are as follows:

Value	Meaning
00 hex	No operation
01 hex	Busy
02 hex	Successful
03 hex	Reserved
04 hex	Error (IO-Link Master)
05 hex	Error (IO-Link Device)

*4. Specifies the index number of the object in the IO-Link device.

*5. Specifies the subindex number of the object in the IO-Link device.

*6. Specifies the size of the data to be written during writing.

*7. Specifies the data to be written during writing.

*8. The default value of all data in 232 bytes is 00 hex.

*9. The setting range of all data in 232 bytes is 00 to FF hex.

*10. Indicates the error codes for the case when the value of the status of subindex 02 hex is either 04 hex or 05 hex. The meanings of the error codes are as follows. When the value of status is 02 hex, the meaning is normal end, and value of error code is 0000 hex.

Value of status	Value of error code	Meaning of error code	Correction
04 hex	4806 hex	The communications mode of the port is not set to IO-Link Mode.	Set the communications mode of the port to IO-Link Mode.
	4807 hex	There is no IO-Link device.	Connect an IO-Link device.
		The I/O power supply is OFF.	Turn ON the I/O power supply.
		Timeout has occurred.	Change the timeout setting.
	An IO-Link Communications Module Processing Error (event code: 849A0000 hex) occurs.	Refer to the Sysmac event codes and implement countermeasures. Refer to the <i>IO-Link System User's Manual (Cat. No. W570)</i> for details on the Sysmac event codes.	
4808 hex	An IO-Link Communications Error (event code: 848D0000 hex) occurs.	A Device Configuration Verification Error (event code: 848F0000 hex) occurs.	
	A Device Configuration Verification Error (event code: 848F0000 hex) occurs.		
05 hex	<ul style="list-style-type: none"> Upper 1 byte Error code defined in the IO-Link standard Lower 1 byte Additional code defined in the IO-Link standard 	Refer to Table C.1 Error Types in Annex C of the <i>IO-Link Interface and System Specification Version 1.1.2</i> for details on the meanings of the error codes.	Refer to the handling instructions for the IO-Link device that is connected to and implement countermeasures.

- *11. This is the time required for the IO-Link master to monitor the response from the IO-Link device. If 0000 hex is specified, monitoring is performed in 2 s.
- *12. Specifies the sequence number of the message to be sent.

Index (hex)	Subindex (hex)	Object name	Default value	Data range	Unit	Data type	Access	I/O allocation	Data attribute
5018	---	Clear Backup Data Command	---	---		---	---	---	
	00	Number of Entries	01 hex	01 hex	---	USINT	RO	Not possible	---
	01	Command	00 hex	00 or 01 hex ^{*1}	---	USINT	RW	Not possible	N
	02	Result	*2	0000, 0001, and FFFF hex ^{*2}		UINT	RO	Not possible	N

*1. **Command** is used to clear the IO-Link device backup data that is stored in the IO-Link Master Unit. The meanings of the set values are as follows:

Set value	Meaning
00 hex	Does not clear the IO-Link backup data.
01 hex	Clears the IO-Link backup data.

*2. **Result** is used to display the cleared status of the IO-Link device backup data that is stored in the IO-Link Master Unit. The meanings of the values are as follows:

Value	Meaning
0000 hex	Backup completed or not executed.
0001 hex	Backup failed.
FFFF hex	Execution is in progress.

Index (hex)	Sub-index (hex)	Object name	Default value	Data range	Unit	Data type	Access	I/O allocation	Data attribute
501A*1	---	Digital Input Collection Setting	---	---		---	---	---	
	00	Number of Entries	04 hex	04 hex	---	USINT	RO	Not possible	---
	01	Port 1 Digital Input Collection Setting	00 hex	00 or 01 hex*2	---	USINT	RW	Not possible	Y
	02	Port 2 Digital Input Collection Setting	00 hex	00 or 01 hex*2	---	USINT	RW	Not possible	Y
	03	Port 3 Digital Input Collection Setting	00 hex	00 or 01 hex*2	---	USINT	RW	Not possible	Y
	04	Port 4 Digital Input Collection Setting	00 hex	00 or 01 hex*2	---	USINT	RW	Not possible	Y

*1. This object is supported with the unit version 1.1 or later.

*2. The meanings of the set values of the **Digital Input Collection Setting** are as follows:

Set value	Meaning
00 hex	<ul style="list-style-type: none"> IO-Link Mode Digital input collection is disabled. SIO (DI) Mode or SIO (DO) Mode Digital input collection cannot be used. The setting is ignored.
01 hex	<ul style="list-style-type: none"> IO-Link Mode Digital input collection is enabled. SIO (DI) Mode or SIO (DO) Mode Digital input collection cannot be used. The setting is ignored.

Index (hex)	Sub-index (hex)	Object name	Default value	Data range	Unit	Data type	Access	I/O allocation	Data attribute
501B*1	---	Offset Setting of Digital Input Collection	---	---		---	---	---	
	00	Number of Entries	04 hex	04 hex	---	USINT	RO	Not possible	---
	01	Offset Setting of Port 1 Digital Input Collection	00 hex	00 to FF hex*2	---	USINT	RW	Not possible	Y
	02	Offset Setting of Port 2 Digital Input Collection	00 hex	00 to FF hex*2	---	USINT	RW	Not possible	Y
	03	Offset Setting of Port 3 Digital Input Collection	00 hex	00 to FF hex*2	---	USINT	RW	Not possible	Y
	04	Offset Setting of Port 4 Digital Input Collection	00 hex	00 to FF hex*2	---	USINT	RW	Not possible	Y

*1. This object is supported with the unit version 1.1 or later.

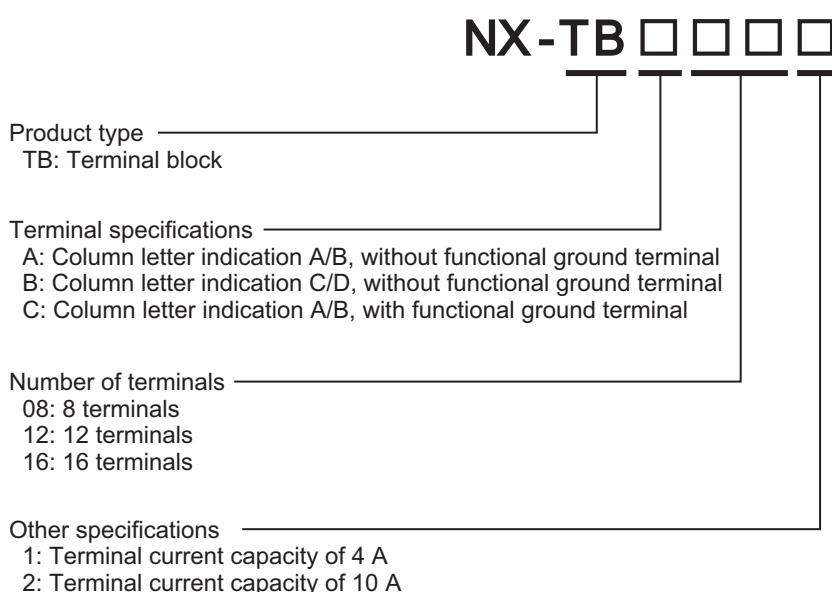
*2. Specify the offset of the bit data to be collected in the input data from the IO-Link device, when the digital input collection is enabled for each port in IO-Link Mode. If the offset value is set in excess of the size of the input data from the IO-Link device, the bit data collected in the digital input data is always 0. For example, if the size of the input data of the IO-Link device is 2 bytes, the set range is enabled from 00 to 0F hex. If the set range is 10 to FF hex, the bit data collected in the digital input data is always 0.

A-4 List of Screwless Clamping Terminal Block Models

This section explains how to read the screwless clamping terminal block model numbers and shows the model number table.

A-4-1 Model Notation

The screwless clamping terminal block models are assigned based on the following rules.



A-4-2 List of Terminal Block Models

The following table shows a list of screwless clamping terminal blocks.

Terminal block model	Number of terminals	Ground terminal mark	Terminal current capacity
NX-TBA161	16	Not provided	4 A
NX-TBB161			10 A
NX-TBA162			
NX-TBB162			
NX-TBC162		Provided	

Note When you purchase a terminal block, purchase an NX-TB□□□□2.

A-5 Version Information with CPU Units

This section provides the version-related information when connecting Units to a CPU Unit. It describes the relationships between the unit versions of each Unit and the CPU Unit, versions of the Sysmac Studio and CX-ConfiguratorFDT, and specification changes for each unit version of each Unit.

A-5-1 Relationship between Unit Versions of Units

The relationship between the unit versions of each Unit and the CPU Unit, and versions of the Sysmac Studio and CX-ConfiguratorFDT are shown below.

Interpreting the Version Combination Tables

The items that are used in the version combination tables are given below.

Refer to the user's manual for the CPU Unit for the models of CPU Unit to which NX Units can be connected.

NX Unit		Corresponding unit versions/versions		
Model	Unit version	CPU Unit	Sysmac Studio	CX-ConfiguratorFDT
Model numbers of NX Units.	Unit versions of NX Units.	Unit versions of the CPU Unit that are compatible with the NX Units.	Sysmac Studio versions that are compatible with the NX Units and CPU Unit.	The version of the CX-ConfiguratorFDT that supports the IO-Link Master Unit.

Version Combination Tables

- With the combinations of the unit versions/versions shown below, you can use the functions that are supported by the unit version of the Unit model. Use the unit versions/versions (or the later/higher unit versions/versions) that correspond to the NX Unit models and the unit versions. You cannot use the specifications that were added or changed for the relevant NX Unit models and the unit versions unless you use the corresponding unit versions/versions.
- Depending on the type and model of the Unit to which the NX Unit is connected, some Units do not have the corresponding versions given in the table. If a Unit does not have the specified version, support is provided by the oldest available version after the specified version. Refer to the user's manuals for the specific Units for the relation between models and versions.
- If you use the corresponding unit versions/versions given in the following table or later/higher versions, refer to the version information in the user's manual for the CPU Unit.

NX Unit		Corresponding unit versions/versions		
Model	Unit version	CPU Unit	Sysmac Studio	CX-ConfiguratorFDT
NX-ILM400	Ver.1.0	Ver.1.13	Ver.1.17	Ver.2.3
	Ver.1.1		Ver.1.20	

A-5-2 Functions That Were Added or Changed for Each Unit Version

The following table shows the relationships between the unit versions/versions of the NX Units and CPU Units, Sysmac Studio, and CX-ConfiguratorFDT for changes in or additions to the functions.

• **Interpreting the Version Corresponding Table for Functions**

The items that are used in the version corresponding table for functions are given below.

Function	Change or addition	NX Unit		Corresponding unit versions/versions		
		Model	Unit version	CPU Unit	Sysmac Studio	CX-ConfiguratorFDT
Functions of NX Units.	Indicates whether the function was newly added or changed.	Model numbers of NX Units.	Unit versions of the NX Units that are compatible with the function.	Unit versions of the CPU Units that are compatible with the NX Units with the function.	Sysmac Studio versions that are compatible with the NX Units and CPU Units.	The version of the CX-ConfiguratorFDT that supports the IO-Link Master Unit.

• **Version Corresponding Table for Functions**

The version corresponding table for functions is as follows.

- You can also use the added or changed functions with the unit versions/versions given in the table or with later/higher versions.
- Depending on the type and model of the Unit to which the NX Unit is connected, some Units do not have the corresponding versions given in the table. If a Unit does not have the specified version, support is provided by the oldest available version after the specified version. Refer to the user's manuals for the specific Units for the relation between models and versions.
- If you use the corresponding unit versions/versions given in the following table or later/higher versions, refer to the version information on the CPU Unit.

Function	Change or addition	NX Unit		Corresponding unit versions/versions		
		Model	Unit version	CPU Unit	Sysmac Studio	CX-ConfiguratorFDT
Initial I/O allocation value*1	Change	NX-ILM400	Ver.1.1	Ver.1.13	Ver.1.20	Ver.2.3
Digital input collection	Addition	NX-ILM400	Ver.1.1	Ver.1.13	Ver.1.20	Ver.2.3
Addition of NX objects*2	Addition	NX-ILM400	Ver.1.1	Ver.1.13	Ver.1.20	Ver.2.3

*1. The following I/O allocations are enabled by default.

- Digital Input Data
- Digital Output Data

*2. The following objects are added.

- Vendor Name of the Last Connected IO-Link Device
- Product Name of the Last Connected IO-Link Device
- Vendor Name
- Product Name

A-6 Version Information with Communications Coupler Units

This section provides version-related information when connecting Units to a Communications Coupler Unit. Version information is provided separately for each Communications Coupler Unit that an NX Unit is connected to.

A-6-1 Connection to an EtherCAT Coupler Unit

This section describes the relationship between the unit versions of each Unit, EtherCAT Coupler Unit, CPU Unit and Industrial PC, versions of the Sysmac Studio and CX-ConfiguratorFDT, and the specification changes for each unit version.

Relationship between Unit Versions of Units

The items that are used in the version combination table are given below.

NX Unit		Corresponding unit versions/versions			
Model	Unit version	EtherCAT Coupler Unit	CPU Unit or Industrial PC	Sysmac Studio	CX-ConfiguratorFDT
Model numbers of NX Units.	Unit versions of NX Units.	Unit versions of EtherCAT Coupler Units that are compatible with the NX Units.	Unit versions of NJ/NX-series CPU Units or NY-series Industrial PCs that are compatible with the EtherCAT Coupler Units.	Sysmac Studio versions that are compatible with the NX Units, EtherCAT Coupler Units, CPU Units, and Industrial PCs.	The version of the CX-ConfiguratorFDT that supports the IO-Link Master Unit.

The version combination table is given below.

- With the combinations of the unit versions/versions shown below, you can use the functions that are supported by the unit version of the Unit model. Use the unit versions/versions (or the later/higher unit versions/versions) that correspond to the NX Unit models and the unit versions. You cannot use the specifications that were added or changed for the relevant NX Unit models and the unit versions unless you use the corresponding unit versions/versions.
- Depending on the type and model of the Unit to which the NX Unit is connected, some Units do not have the corresponding versions given in the table. If a Unit does not have the specified version, support is provided by the oldest available version after the specified version. Refer to the user's manuals for the specific Units for the relation between models and versions.
- You cannot connect the relevant NX Unit to the target Communications Coupler Unit if "---" is shown in the corresponding unit versions/versions column.
- If you use the corresponding unit versions/versions given in the following table or later/higher versions, refer to the version information in the user's manual for the Communications Coupler Unit, CPU Unit, and Industrial PC.

NX Unit		Corresponding unit versions/versions			
Model	Unit version	EtherCAT Coupler Unit	CPU Unit or Industrial PC	Sysmac Studio	CX-ConfiguratorFDT
NX-ILM400	Ver.1.0	Ver.1.0	Ver.1.12	Ver.1.16	Ver.2.2
	Ver.1.1			Ver.1.20	

Functions That Were Added or Changed for Each Unit Version

The following table shows the relationships between the unit versions/versions of the NX Units, Communications Coupler Units, CPU Units, Industrial PCs, Sysmac Studio, and CX-ConfiguratorFDT for changes in or additions to the functions.

• Interpreting the Version Corresponding Table for Functions

The items that are used in the version corresponding table for functions are given below.

Function	Change or addition	NX Unit		Corresponding unit versions/versions			
		Model	Unit version	EtherCAT Coupler Unit	CPU Unit or Industrial PC	Sysmac Studio	CX-ConfiguratorFDT
Functions of NX Units.	Indicates whether the function was newly added or changed.	Model numbers of NX Units.	Unit versions of the NX Units that are compatible with the function.	Unit versions of EtherCAT Coupler Units that are compatible with the NX Units with the function.	Unit versions of the NJ/NX-series CPU Units or NY-series Industrial PCs that support the NX Units.	Sysmac Studio versions that are compatible with the NX Units, EtherCAT Coupler Units, CPU Units, and Industrial PCs.	The version of the CX-ConfiguratorFDT that supports the IO-Link Master Unit.

• Version Corresponding Table for Functions

The version corresponding table for functions is as follows.

- You can also use the added or changed functions with the unit versions/versions given in the table or with later/higher versions.
- Depending on the type and model of the Unit to which the NX Unit is connected, some Units do not have the corresponding versions given in the table. If a Unit does not have the specified version, support is provided by the oldest available version after the specified version. Refer to the user's manuals for the specific Units for the relation between models and versions.
- If you use the corresponding unit versions/versions given in the following table or later/higher versions, refer to the version information in the user's manual for the Communications Coupler Unit, CPU Unit, and Industrial PC.

Function	Change or addition	NX Unit		Corresponding unit versions/versions			
		Model	Unit version	EtherCAT Coupler Unit	CPU Unit or Industrial PC	Sysmac Studio	CX-ConfiguratorFDT
Initial I/O allocation value*1	Change	NX-ILM400	Ver.1.1	Ver.1.0	Ver.1.12	Ver.1.20	Ver.2.2
Digital input collection	Addition	NX-ILM400	Ver.1.1	Ver.1.0	Ver.1.12	Ver.1.20	Ver.2.2
Addition of NX objects*2	Addition	NX-ILM400	Ver.1.1	Ver.1.0	Ver.1.12	Ver.1.20	Ver.2.2

*1. The following I/O allocations are enabled by default.

- Digital Input Data
- Digital Output Data

*2. The following objects are added.

- Vendor Name of the Last Connected IO-Link Device
- Product Name of the Last Connected IO-Link Device
- Vendor Name
- Product Name

A-6-2 Connection to an EtherNet/IP Coupler Unit

This section describes the relationships between the unit versions of each Unit, EtherNet/IP Coupler Unit, CPU Unit and Industrial PC, versions of the Sysmac Studio, NX-IO Configurator and CX-ConfiguratorFDT, and the specification changes for each unit version of each Unit.

Relationship between Unit Versions of Units

The items that are used in the version combination tables are given below.

- **When Using an NJ/NX/NY-series Controller**

The items that are used in the version combination tables are given below.

NX Unit		Corresponding unit versions/versions			
Model	Unit version	EtherNet/IP Coupler Unit	CPU Unit or Industrial PC	Sysmac Studio	CX-ConfiguratorFDT
Model numbers of NX Units.	Unit versions of NX Units.	Unit versions of Ether-Net/IP Coupler Units that are compatible with the NX Units.	Unit version of the NJ/NX-series CPU Units or NY-series Industrial PCs that are compatible with the EtherNet/ IP Coupler Unit.	Sysmac Studio versions that are compatible with the NX Units, Ether-Net/IP Coupler Units, CPU Units, and Industrial PCs.	The version of the CX-ConfiguratorFDT that supports the IO-Link Master Unit.

The version combination table is given below.

- With the combinations of the unit versions/versions shown below, you can use the functions that are supported by the unit version of the Unit model. Use the unit versions/versions (or the later/higher unit versions/versions) that correspond to the NX Unit models and the unit versions. You cannot use the specifications that were added or changed for the relevant NX Unit models and the unit versions unless you use the corresponding unit versions/versions.
- Depending on the type and model of the Unit to which the NX Unit is connected, some Units do not have the corresponding versions given in the table. If a Unit does not have the specified version, support is provided by the oldest available version after the specified version. Refer to the user's manuals for the specific Units for the relation between models and versions.
- You cannot connect the relevant NX Unit to the target Communications Coupler Unit if "----" is shown in the corresponding unit versions/versions column.
- If you use the corresponding unit versions/versions given in the following table or later/higher versions, refer to the version information in the user's manual for the Communications Coupler Unit, CPU Unit, and Industrial PC.

NX Unit		Corresponding unit versions/versions*1			
Model	Unit version	EtherNet/IP Coupler Unit	CPU Unit or Industrial PC	Sysmac Studio	CX-ConfiguratorFDT
NX-ILM400	Ver.1.0	Ver.1.2	Ver.1.14	Ver.1.19	Ver.2.4*2
	Ver.1.1			Ver.1.20	

*1. Refer to version information in the user's manual of the EtherNet/IP Coupler Unit for the unit versions of EtherNet/IP Units corresponding to EtherNet/IP Coupler Units.

*2. The CX-ConfiguratorFDT with version 2.2 or higher can be used if it is connected to the peripheral USB port on the EtherNet/IP Coupler Unit.

• **When Using a CS/CJ/CP-series PLC**

The items that are used in the version combination tables are given below.

NX Unit		Corresponding unit versions/versions			
Model	Unit version	EtherNet/IP Coupler Unit	Sysmac Studio	NX-IO Configurator	CX-ConfiguratorFDT
Model numbers of NX Units.	Unit versions of NX Units.	Unit versions of Ether-Net/IP Coupler Units that are compatible with the NX Units.	Sysmac Studio versions that are compatible with the NX Units, Ether-Net/IP Coupler Units.	NX-IO Configurator versions that are compatible with the NX Units, EtherNet/IP Coupler Units.	The version of the CX-ConfiguratorFDT that supports the IO-Link Master Unit.

The version combination table is given below.

- With the combinations of the unit versions/versions shown below, you can use the functions that are supported by the unit version of the Unit model. Use the unit versions/versions (or the later/higher unit versions/versions) that correspond to the NX Unit models and the unit versions. You cannot use the specifications that were added or changed for the relevant NX Unit models and the unit versions unless you use the corresponding unit versions/versions.
- Depending on the type and model of the Unit to which the NX Unit is connected, some Units do not have the corresponding versions given in the table. If a Unit does not have the specified version, support is provided by the oldest available version after the specified version. Refer to the user's manuals for the specific Units for the relation between models and versions.
- If you use the corresponding unit versions/versions given in the following table or later/higher versions, refer to the version information in the user's manual for the Communications Coupler Unit, and CPU Unit.

NX Unit		Corresponding unit versions/versions ^{*1}			
Model	Unit version	EtherNet/IP Coupler Unit	Sysmac Studio	NX-IO Configurator ^{*2}	CX-ConfiguratorFDT
NX-ILM400	Ver.1.0	Ver.1.0	Ver.1.16	Ver.1.00	Ver.2.2 ^{*3}
	Ver.1.1		Ver.1.20	Ver.1.01	

- *1. Refer to version information in the user's manual of the EtherNet/IP Coupler Unit for the unit versions of CPU Units and EtherNet/IP Units corresponding to EtherNet/IP Coupler Units.
- *2. For connection to an EtherNet/IP Coupler Unit with unit version 1.0, connection is supported only for a connection to the peripheral USB port on the EtherNet/IP Coupler Unit. You cannot connect by any other path. If you need to connect by another path, use an EtherNet/IP Coupler Unit with unit version 1.2 or later.
- *3. For connection to an EtherNet/IP Coupler Unit with unit version 1.0, connection is supported only for a connection to the peripheral USB port on the EtherNet/IP Coupler Unit. You cannot connect by any other path. If you need to connect by another path, use an EtherNet/IP Coupler Unit with unit version 1.2 or later and CX-ConfiguratorFDT with version 2.4 or higher.

Functions That Were Added or Changed for Each Unit Version

The following table shows the relationships between the unit versions/versions of the NX Units, Communications Coupler Units, CPU Units, Industrial PCs, Sysmac Studio, NX-IO Configurator, and CX-ConfiguratorFDT for changes in or additions to the functions.

A description is provided for each Controller that is used.

• **When Using an NJ/NX/NY-series Controller**

The items that are used in the version corresponding table for functions are given below.

Function	Change or addition	NX Unit		Corresponding unit versions/versions			
		Model	Unit version	EtherNet/IP Coupler Unit	CPU Unit or Industrial PC	Sysmac Studio	CX-ConfiguratorFDT
Functions of NX Units.	Indicates whether the function was newly added or changed.	Model numbers of NX Units.	Unit versions of the NX Units that are compatible with the function.	Unit versions of EtherNet/IP Coupler Units that are compatible with the NX Units with the function.	Unit versions of the NJ/NX-series CPU Units or NY-series Industrial PCs that support the NX Units.	Sysmac Studio versions that are compatible with the NX Units, EtherNet/IP Coupler Units, CPU Units, and Industrial PCs.	The version of the CX-ConfiguratorFDT that supports the IO-Link Master Unit.

The version corresponding table for functions is as follows.

- You can also use the added or changed functions with the unit versions/versions given in the table or with later/higher versions.
- Depending on the type and model of the Unit to which the NX Unit is connected, some Units do not have the corresponding versions given in the table. If a Unit does not have the specified version, support is provided by the oldest available version after the specified version. Refer to the user's manuals for the specific Units for the relation between models and versions.
- If you use the corresponding unit versions/versions given in the following table or later/higher versions, refer to the version information in the user's manual for the Communications Coupler Unit, CPU Unit, and Industrial PC.

Function	Change or addition	NX Unit		Corresponding unit versions/versions*1			
		Model	Unit version	EtherNet/IP Coupler Unit	CPU Unit or Industrial PC	Sysmac Studio	CX-ConfiguratorFDT
Initial I/O allocation value*2	Change	NX-ILM400	Ver.1.1	Ver.1.2	Ver.1.14	Ver.1.20	Ver.2.4*3
Digital input collection	Addition	NX-ILM400	Ver.1.1	Ver.1.2	Ver.1.14	Ver.1.20	Ver.2.4*3
Addition of NX objects*4	Addition	NX-ILM400	Ver.1.1	Ver.1.2	Ver.1.14	Ver.1.20	Ver.2.4*3

*1. Refer to version information in the user's manual of the EtherNet/IP Coupler Unit for the unit versions of EtherNet/IP Units corresponding to EtherNet/IP Coupler Units.

*2. The following I/O allocations are enabled by default.

- Digital Input Data
- Digital Output Data

*3. The CX-ConfiguratorFDT with version 2.2 or higher can be used if it is connected to the peripheral USB port on the EtherNet/IP Coupler Unit.

*4. The following objects are added.

- Vendor Name of the Last Connected IO-Link Device
- Product Name of the Last Connected IO-Link Device
- Vendor Name
- Product Name

• **When Using a CS/CJ/CP-series PLC**

The items that are used in the version corresponding table for functions are given below.



Function	Change or addition	NX Unit		Corresponding unit versions/versions			
		Model	Unit version	EtherNet/IP Coupler Unit	Sysmac Studio	NX-IO Configurator	CX-ConfiguratorFDT
Functions of NX Units.	Indicates whether the function was newly added or changed.	Model numbers of NX Units.	Unit versions of the NX Units that are compatible with the function.	Unit versions of EtherNet/IP Coupler Units that are compatible with the NX Units with the function.	Sysmac Studio versions that are compatible with the NX Units and EtherNet/IP Coupler Units.	NX-IO Configurator versions that are compatible with the NX Units and EtherNet/IP Coupler Units.	The version of the CX-ConfiguratorFDT that supports the IO-Link Master Unit.

The version corresponding table for functions is as follows.

- You can also use the added or changed functions with the unit versions/versions given in the table or with later/higher versions.
- Depending on the type and model of the Unit to which the NX Unit is connected, some Units do not have the corresponding versions given in the table. If a Unit does not have the specified version, support is provided by the oldest available version after the specified version. Refer to the user's manuals for the specific Units for the relation between models and versions.
- If you use the corresponding unit versions/versions given in the following table or later/higher versions, refer to the version information in the user's manual for the Communications Coupler Unit, and CPU Unit.

Function	Change or addition	NX Unit		Corresponding unit versions/versions*1			
		Model	Unit version	EtherNet/IP Coupler Unit	Sysmac Studio	NX-IO Configurator*2	CX-ConfiguratorFDT
Initial I/O allocation value*3	Change	NX-ILM400	Ver.1.1	Ver.1.0	Ver.1.20	Ver.1.01	Ver.2.2*4
Digital input collection	Addition	NX-ILM400	Ver.1.1	Ver.1.0	Ver.1.20	Ver.1.01	Ver.2.2*4
Addition of NX objects*5	Addition	NX-ILM400	Ver.1.1	Ver.1.0	Ver.1.20	Ver.1.01	Ver.2.2*4

- *1. Refer to version information in the user's manual of the EtherNet/IP Coupler Unit for the unit versions of CPU Units and EtherNet/IP Units corresponding to EtherNet/IP Coupler Units.
- *2. For connection to an EtherNet/IP Coupler Unit with unit version 1.0, connection is supported only for a connection to the peripheral USB port on the EtherNet/IP Coupler Unit. You cannot connect by any other path. If you need to connect by another path, use an EtherNet/IP Coupler Unit with unit version 1.2 or later.
- *3. The following I/O allocations are enabled by default.
 - Digital Input Data
 - Digital Output Data
- *4. For connection to an EtherNet/IP Coupler Unit with unit version 1.0, connection is supported only for a connection to the peripheral USB port on the EtherNet/IP Coupler Unit. You cannot connect by any other path. If you need to connect by another path, use an EtherNet/IP Coupler Unit with unit version 1.2 or later and CX-ConfiguratorFDT with version 2.4 or higher.
- *5. The following objects are added.
 - Vendor Name of the Last Connected IO-Link Device
 - Product Name of the Last Connected IO-Link Device
 - Vendor Name
 - Product Name



Index



Index

- A**
- Access..... A-10
 - Additional I/O Power Supply Units..... 4-9
 - Additional NX Unit Power Supply Units..... 4-9
 - angle for insertion..... 4-16, 4-19
 - Applicable Wire..... 4-12
 - Automatic baud rate setting for IO-Link communications 6-10
- B**
- backup or restoration of parameter settings in IO-Link devices..... 6-11
 - backup setting..... 6-8
 - built-in EtherCAT port..... 7
- C**
- Coding Pin..... 4-23
 - Communications Coupler Unit..... 1-6
 - Communications Master Unit..... 5-3
 - communications mode settings..... 6-10
 - connected device verification..... 6-10
 - connection configuration..... 6-2
 - CPU Unit..... 5-3
 - crimping tool..... 4-13
 - Current Error..... 7-4
 - cyclic communications..... 6-10
- D**
- Data attribute..... A-10
 - Data range..... A-10
 - Data type..... A-10
 - DC enable..... 5-5
 - Default value..... A-10
 - detection of short-circuits in I/O cables..... 6-10
 - digital input collection..... 6-11
 - digital input collection setting..... 6-8
 - digital input filter..... 6-11
 - Digital inputs for pin 2..... 6-10
 - DIN Track mounting hook..... 3-2
- E**
- event log..... 6-11
- F**
- Ferrule..... 4-13
- G**
- general specifications..... A-4
 - Ground terminal..... 4-13, 4-14
- I**
- I/O allocation..... A-10
 - I/O data..... 6-4
 - I/O power supply..... 4-9
 - I/O Power Supply Connection Units..... 4-9
 - I/O power supply terminal..... 4-10
 - incorrect attachment prevention hole..... 4-26
 - Index..... A-10
 - Indicator..... 3-2
 - Industrial PC..... 6
 - input filter settings..... 6-8
 - IO-Link communications cycle..... 5-11
 - IO-Link communications error detection..... 6-10
 - IO-Link device configuration settings..... 6-7
 - IO-Link device verification setting..... 6-7
 - IO-Link total communications lost frames..... 6-11
- L**
- load rejection for controller communications error..... 6-10
 - load rejection output settings..... 6-8
 - Log of Error..... 7-4
- M**
- Marker..... 4-4
 - Marker attachment location..... 3-2
 - maximum I/O power supply current..... 4-10
 - message communications..... 6-10
 - Model number indication..... 3-4
- N**
- notification of input data validity..... 6-10
 - NX bus connector..... 3-2
 - NX objects..... A-10
 - NX Unit power supply..... 4-9
- O**
- Object name..... A-10
 - Objects That Accept I/O Allocations..... A-11
 - offset setting of digital input collection..... 6-8
 - Other Objects..... A-24
- P**
- Periodic Inspection Item..... 8-2
 - Preventing Incorrect Attachment..... 4-23
 - Protrusions for removing the Unit..... 3-2
 - push-pull outputs..... 4-30
- R**
- refresh cycle of the NX bus..... 5-2, 5-3

Release hole.....	3-3
restoration setting.....	6-8

S

Securing Wires.....	4-18
sensor surge current.....	4-30
Slave Terminal.....	1-6
Solid Wire.....	4-14
Subindex.....	A-10
supply from the NX bus.....	4-10

T

Terminal block.....	3-2
Terminal hole.....	3-3
Terminal number indication.....	3-3
Twisted Wire.....	4-14

U

Unit.....	A-10
Unit hookup guide.....	3-2
Unit Information object.....	A-10
Unit specifications.....	3-2, A-5

W

wiring examples.....	4-28
wiring precautions.....	4-30
Wiring Terminals.....	4-12
wiring three-wire sensors.....	4-28
wiring two-wire sensors.....	4-29

OMRON Corporation Industrial Automation Company

Kyoto, JAPAN

Contact : www.ia.omron.com

Regional Headquarters

OMRON EUROPE B.V.

Wegalaan 67-69, 2132 JD Hoofddorp
The Netherlands
Tel: (31) 2356-81-300 Fax: (31) 2356-81-388

OMRON ELECTRONICS LLC

2895 Greenspoint Parkway, Suite 200
Hoffman Estates, IL 60169 U.S.A.
Tel: (1) 847-843-7900 Fax: (1) 847-843-7787

OMRON ASIA PACIFIC PTE. LTD.

438B Alexandra Road, #08-01/02 Alexandra
Technopark, Singapore 119968
Tel: (65) 6835-3011 Fax: (65) 6835-3011

OMRON (CHINA) CO., LTD.

Room 2211, Bank of China Tower,
200 Yin Cheng Zhong Road,
PuDong New Area, Shanghai, 200120, China
Tel: (86) 21-6023-0333 Fax: (86) 21-5037-2388

Authorized Distributor:

©OMRON Corporation 2016 - 2024 All Rights Reserved.
In the interest of product improvement,
specifications are subject to change without notice.

Cat. No. W567-E1-08 1024