

Discontinuation Notice of Ethernet connectors parts of XS5 series.

Product Discontinuation

Industrial Ethernet Cables



Model XS5H-T421-[]M0-H
Model XS5W-T421-[]MA-H



Recommended Replacement

Industrial Ethernet Cables

Model XS5H-T421-[]M0-K
Model XS5W-T421-[]MC-K

[Discontinuation date]

The end of March, 2015

[Caution on recommended replacement]

Rated current and Rated voltage will be changed.
RJ45 connector size will be changed.

[Difference from discontinued product]

Recommended replacement Model	Body Color	Dimensions	Wire connection	Mounting Dimensions	Characteristics	Operation ratings	Operation methods
XS5H-T421-[]M0-K	*	**	**	**	--	**	-
XS5W-T421-[]MC-K	*	*	**	**	--	**	-

** : Compatible

* : The change is a little/Almost compatible


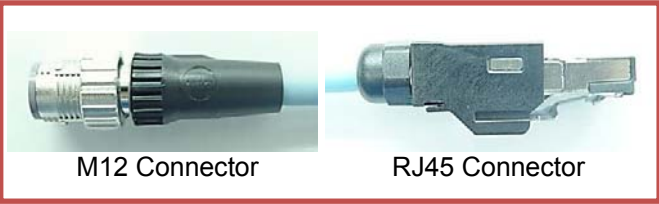

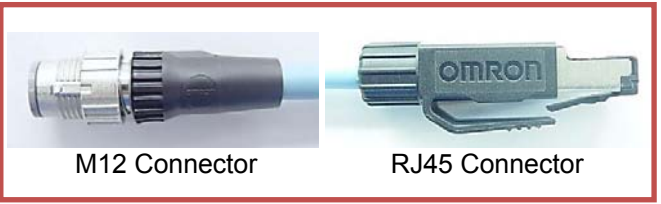
-- : Not compatible

- : No corresponding specification

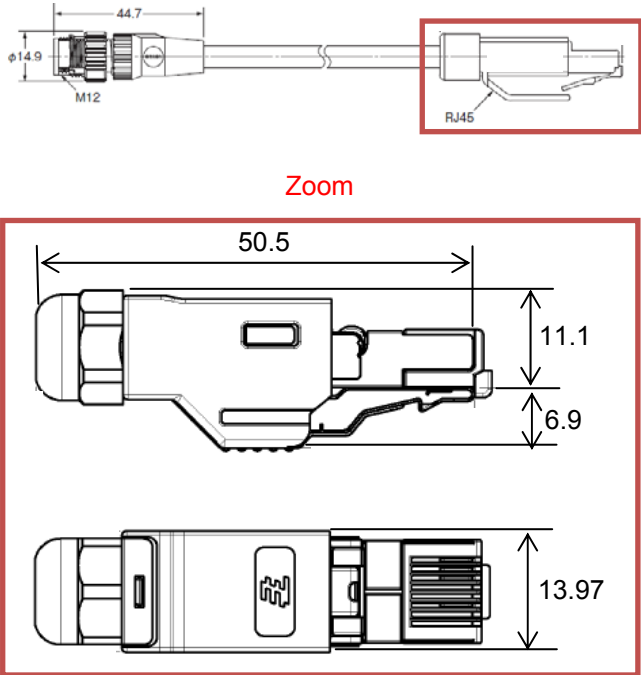
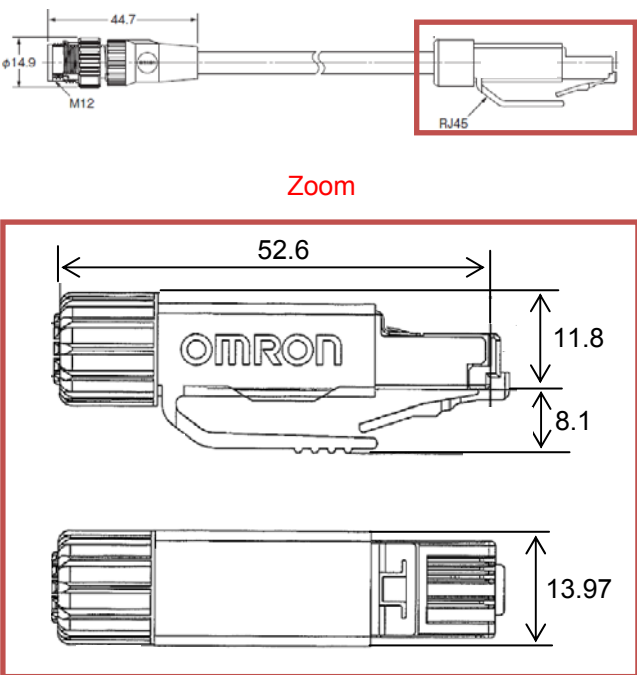
[Product Discontinuation and recommended replacement]

Product discontinuation	Recommended replacement
XS5H-T421-CM0-H	XS5H-T421-CM0-K
XS5H-T421-DM0-H	XS5H-T421-DM0-K
XS5H-T421-EM0-H	XS5H-T421-EM0-K
XS5H-T421-GM0-H	XS5H-T421-GM0-K
XS5H-T421-JM0-H	XS5H-T421-JM0-K
XS5W-T421-CMA-H	XS5W-T421-CMC-K
XS5W-T421-DMA-H	XS5W-T421-DMC-K
XS5W-T421-EMA-H	XS5W-T421-EMC-K
XS5W-T421-GMA-H	XS5W-T421-GMC-K
XS5W-T421-JMA-H	XS5W-T421-JMC-K
XS5W-T421-KMA-H	XS5W-T421-KMC-K

[Body color]

<p>Product discontinuation Model XS5H-T421-□M0-H Model XS5W-T421-□MA-H</p>	<p>Recommendable replacement Model XS5H-T421-□M0-K Model XS5W-T421-□MC-K</p>
<p>Color of cable : Light blue</p> <p>Cable printing NICHIGOH UNI-FLEX-IE5e 250V peak 70°C 0.34mm² CE (UL) c(UL) E308483-M CM AWG22(0.34mm²) 60°C E194236 AWM 20276 VW-1 or AWM I A/B AWG22(0.34mm²) 30V 80°C FT1</p>  <p>Representative model : XS5W-T421-DMA-H</p> <p style="text-align: center; color: red;">Zoom</p>  <p>M12 Connector RJ45 Connector</p>	<p>Color of cable : Light blue</p> <p>There is no difference in the color expression on the specification sheet, however there is a slight difference in color of the real thing.</p> <p>Cable printing KETH-PSB-OMR 22AWG×2P KURAMO E317214 (UL) - C(UL) CM 4C22AWG SHIELDED 75C AWM 20276 80C 30V VW-1 AWM IA 80C 30V FT1 LF</p> <p>M12 connector : No change. (same parts)</p> <p>RJ45 connector : Change of shape.</p>  <p>Representative model : XS5W-T421-DMC-K</p> <p style="text-align: center; color: red;">Zoom</p>  <p>M12 Connector RJ45 Connector</p>

[Dimensions]

Product discontinuation Model XS5W-T421-□MA-H	Recommendable replacement Model XS5W-T421-□MC-K
 <p style="text-align: center; color: red;">Zoom</p>	 <p style="text-align: center; color: red;">Zoom</p>

[Characteristics]

Item	Product discontinuation Model XS5H-T421-□M0-H	Recommendable replacement Model XS5H-T421-□M0-K
Rated current	3 A	3 A
Rated voltage	250 V	30 V

Item	Product discontinuation Model XS5W-T421-□MA-H	Recommendable replacement Model XS5W-T421-□MC-K
Rated current	0.5 A	2.5 A
Rated voltage	24 AV	30 V

Specifications and prices in this product news are as of the issue date and are subject to change without notice. Only main changes in specifications are described in this document. Please be sure to read the relevant catalogs, datasheets, product specifications, instructions, and manuals for precautions and necessary information when using products.