

### Discontinuation Notice of backup battery Y92S-20 (BATTERY FOR H7CN ETC) for H5CN-X[]NM.

#### Product Discontinuation

Backup Battery

#### Recommended Replacement



**Model Y92S-20  
(BATTERY FOR H7CN ETC)**



**No recommended replacement**

#### [ Discontinuation date ]

The end of March, 2015

#### [ Caution on recommended replacement ]


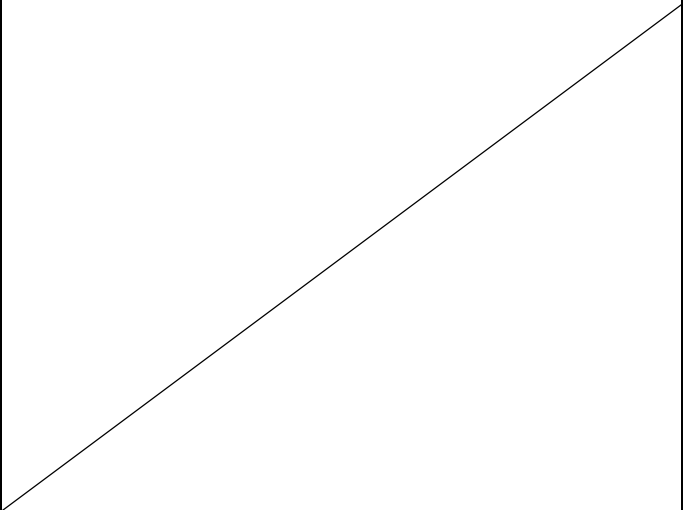
The battery is no longer used due to the design change of H5CN-X[]NM.

For details, please check [Design specification change] on page 3.

#### [ Product discontinuation and recommended replacement ]

Product Discontinuation	Recommended Replacement
Y92S-20 (BATTERY FOR H7CN ETC)	No recommended replacement

#### [ Body color ]

Product discontinuation Model Y92S-20 (BATTERY FOR H7CN ETC)	Product discontinuation No recommended replacement
<p>External case: right gray Lead wire: red</p> 	

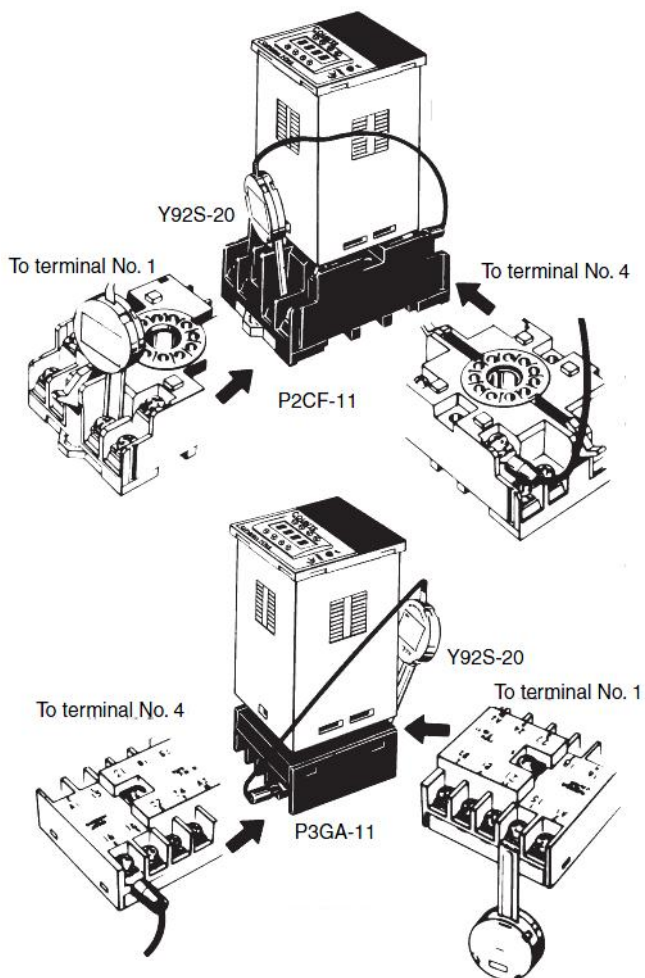
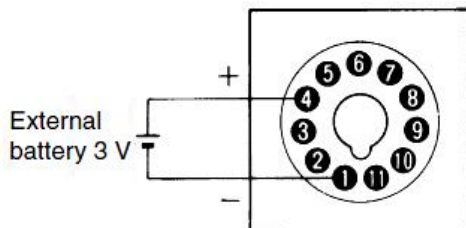
[ Wire connection ]

**Product discontinuation**  
**Model Y92S-20 (BATTERY FOR H7CN ETC)**

**Product discontinuation**  
**No recommended replacement**

When connecting the battery using a Socket (P2CF-11 or P3GA-11), check the terminal numbers on the Socket and connect the positive side of the battery to terminal ④ and the negative side to terminal ①.

\* only for H5CN-X□NM



[ Dimensions ]

<p><b>Product discontinuation</b>  <b>Model Y92S-20 (BATTERY FOR H7CN ETC)</b></p>	<p><b>Recommendable replacement</b>  <b>No recommended replacement</b></p>

[ Design specification change ]

Before change	After change
<p><b>Memory protection, model H5CN-X[ ]NM only</b>                      Method: lithium battery (external connection)                      * Model Y92S-20 (sold separately) or equivalent battery.                      Recommended battery exchange: 4 to 5 years</p>	<p><b>Memory protection, model H5CN-X[ ]NM only</b>                      Method: non-volatile memory (built-in)                      Overwrites: one million times,                      Data storage: 10 years.</p>

Specifications and prices in this product news are as of the issue date and are subject to change without notice. Only main changes in specifications are described in this document. Please be sure to read the relevant catalogs, datasheets, product specifications, instructions, and manuals for precautions and necessary information when using products.