

**Discontinuation Notice of SMARTSTEP Junior series
Model R7D-ZN[]-ML2/R7M-Z[]****Product Discontinuation**

AC Servo Drivers

Model R7D-ZN[]-ML2

AC Servomotors

Model R7M-Z[]**Recommended Replacement**

AC Servo Drivers

Model R88D-KN[]-ML2

AC Servomotors

Model R88M-K[]**[Discontinuation date]**

The end of March, 2014

[Caution on recommended replacement]

- When using the recommended Replacement Products, all of the motor, driver and cables need to be changed.
- Some of the recommended replacement products are different in external and mounting dimensions.
- When using the recommended replacement products, parameter settings are required.

[Difference from discontinued product]

Recommended replacement Model	Body Color	Dimensions	Wire connection	Mounting Dimensions	Characteristics	Operation ratings	Operation methods
R88M-K[]	*	--	--	--	*	*	-
R88D-KN[]	--	--	--	--	*	*	--

** : Compatible

* : The change is a little/Almost compatible

-- : Not compatible

- : No corresponding specification

[Product Discontinuation and recommended replacement]

Product discontinuation	Recommended replacement
R7M-Z10030-S1	R88M-K10030H-S2
R7M-Z10030-BS1	R88M-K10030H-BS2
R7D-ZN01H-ML2	R88D-KN01H-ML2
R7M-Z20030-S1	R88M-K20030H-S2
R7M-Z20030-BS1	R88M-K20030H-BS2
R7D-ZN02H-ML2	R88D-KN02H-ML2
R7M-Z40030-S1	R88M-K40030H-S2
R7M-Z40030-BS1	R88M-K40030H-BS2
R7D-ZN04H-ML2	R88D-KN04H-ML2
R7M-Z75030-S1	R88M-K75030H-S2
R7M-Z75030-BS1	R88M-K75030H-BS2
R7D-ZN08H-ML2	R88D-KN08H-ML2

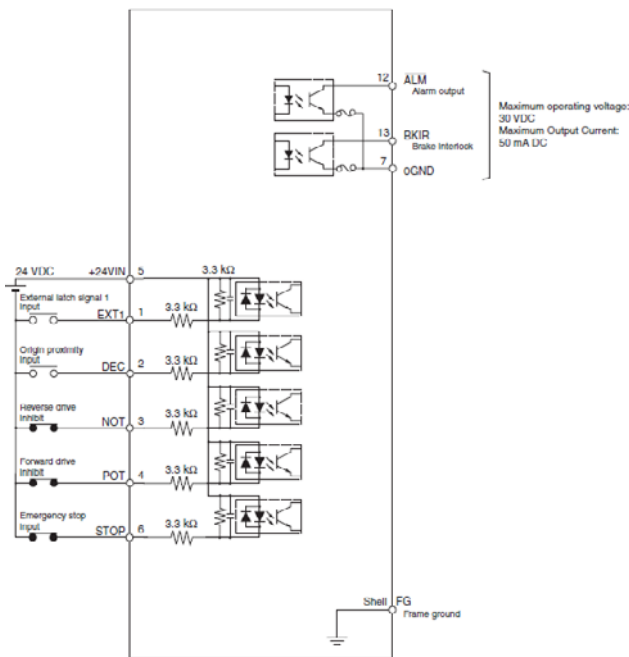
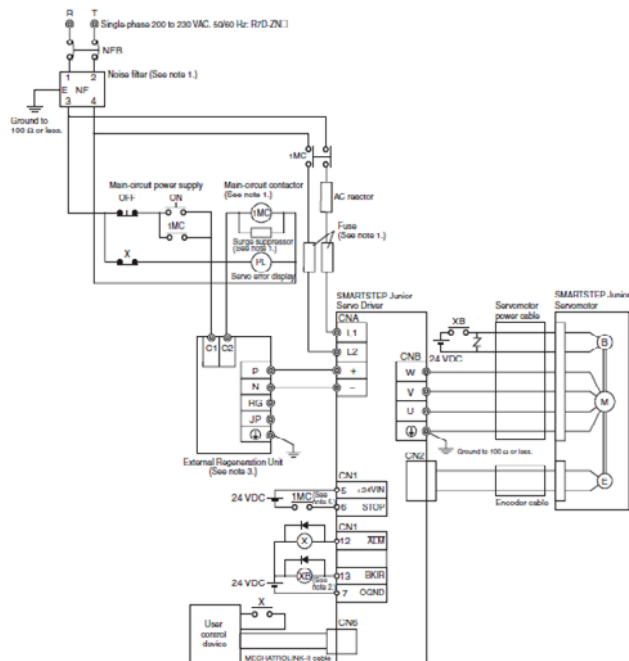
[Body color]

Product discontinuation Model R7D-ZN[]/Model R7M-Z[]	Recommendable replacement Model R88D-K[]-ML2/Model R88M-K[]
Model R7D-ZN[] : Ivory White Model R7M-Z[] : Metallic	Model R88D-K[]-ML2 : Black Model R88M-K[] : Metallic

[Wire connection]

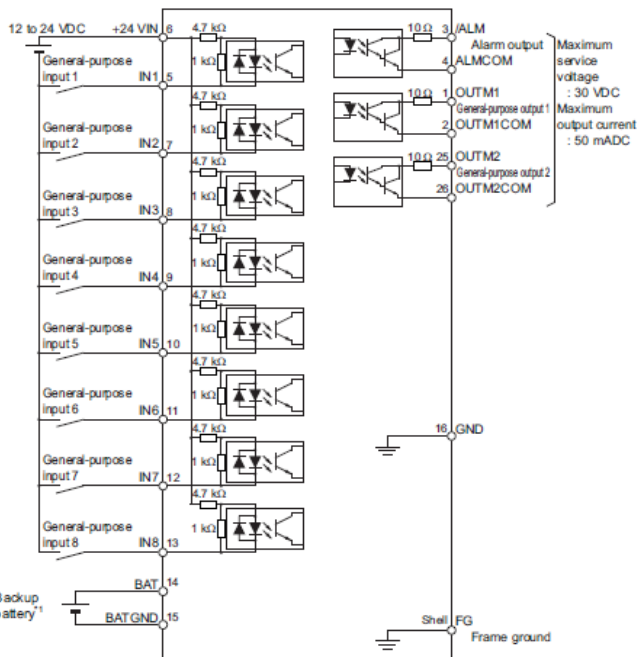
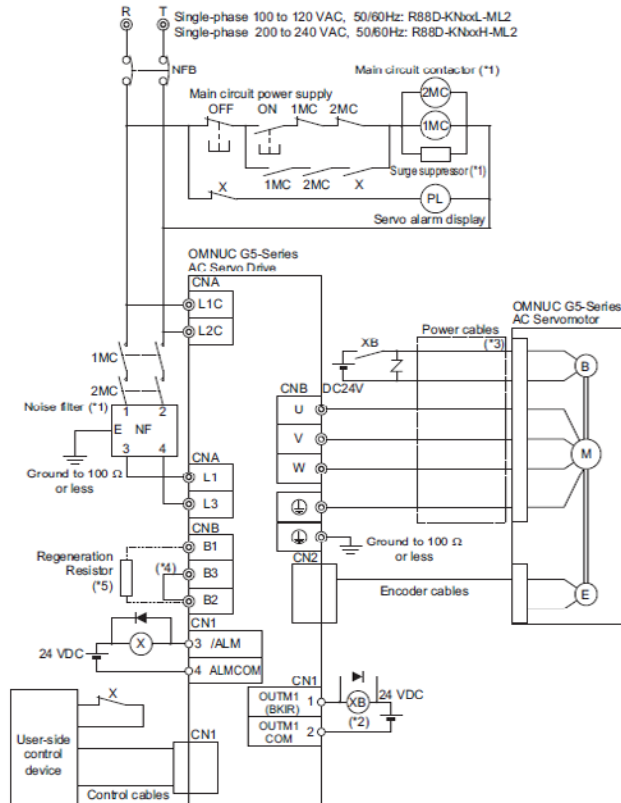
Product discontinuation
Model R7D-ZN[]

Connecting to Peripheral Device
R7D-ZN01H-ML2/-ZN02H-ML2/
-ZN04H-ML2-ZN08H-ML2

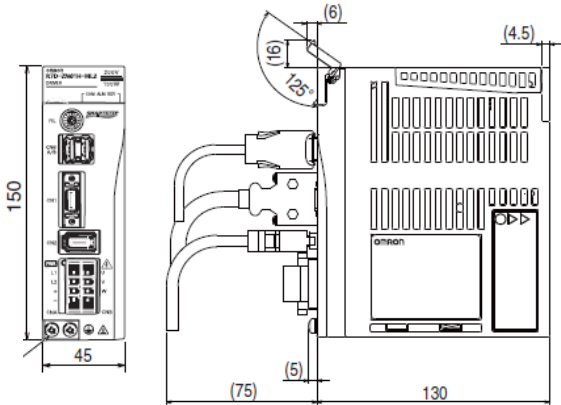
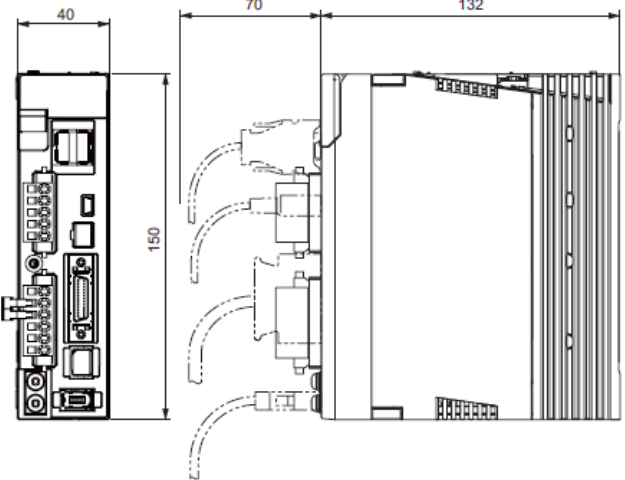
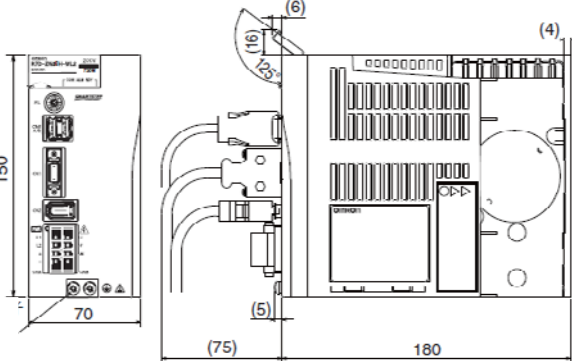
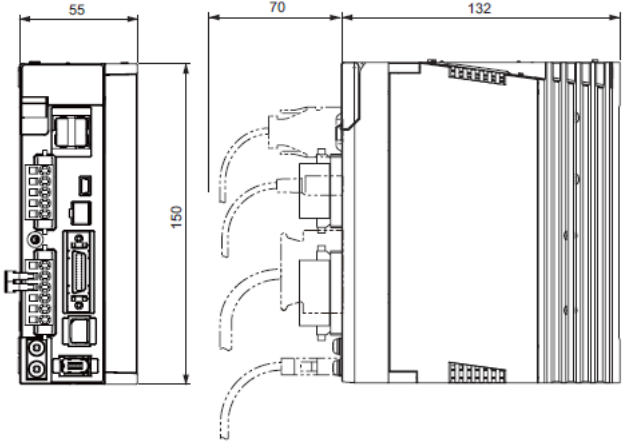
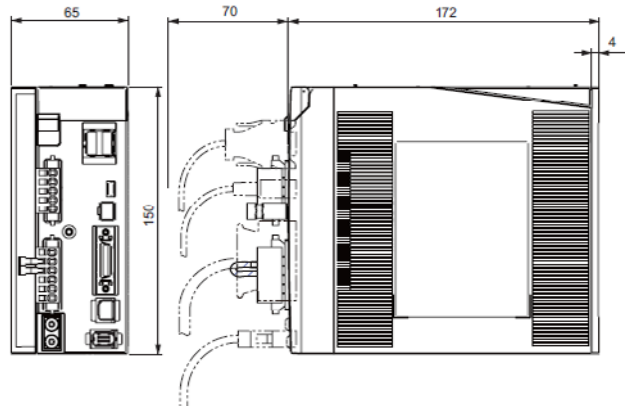


Recommendable replacement
Model R88D-KN[]H-ML2

Connecting to Peripheral Device
R88D-KN01H-ML2/-KN02H-ML2/
-KN04H-ML2-ZN08H-ML2

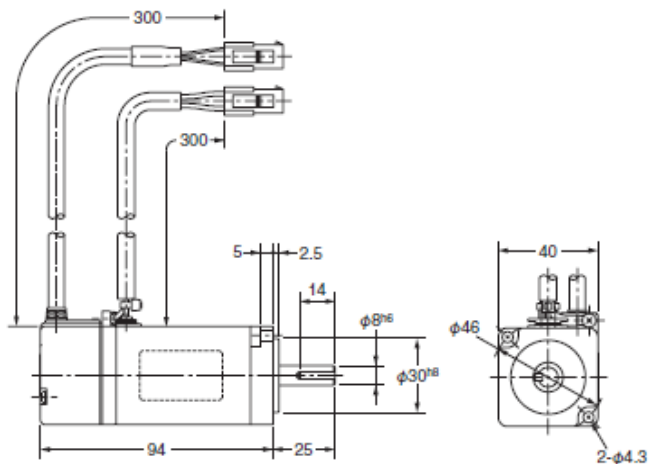


[Dimensions]

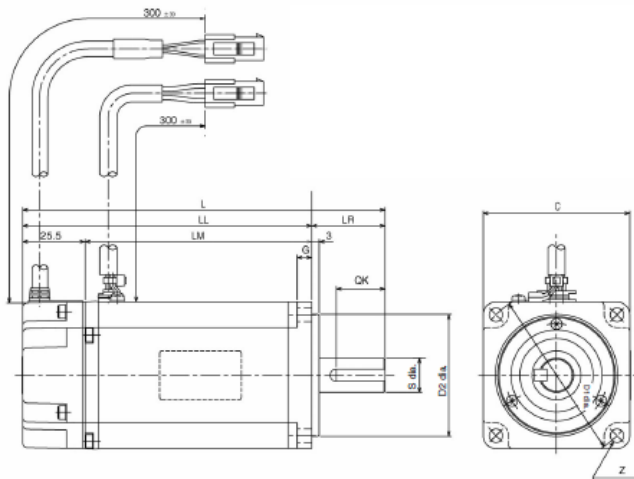
<p>Product discontinuation Model R7D-ZN[]</p>	<p>Recommendable replacement Model R88D-KN[]H-ML2</p>
<p>R7D-ZN01H-ML2/-ZN02H-ML2/-ZN04H-ML2</p> 	<p>R88D-KN01H-ML2/-KN02H-ML2</p> 
<p>R7D-ZN08H-ML2</p> 	<p>R88D-KN04H-ML2</p>  <p>R88D-KN08H-ML2</p> 

**Product discontinuation
Model R7M-ZN[]**

R7M-Z10030-S1



R7M-Z20030-S1/-Z40030-S1/R7M-Z75030-S1



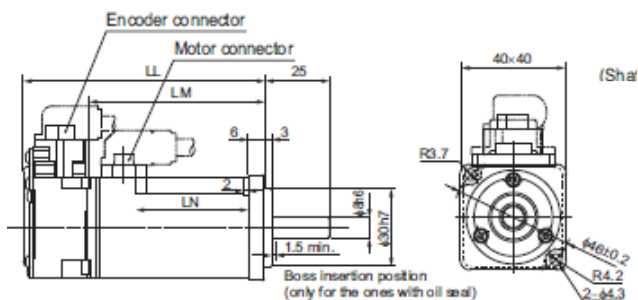
Model	Dimension(mm)			
	LL	LM	LN	LR
R7M-Z20030-S1	125.5	95.5	70	30
R7M-Z40030-S1	148.5	118.5	93	30
R7M-Z75030-S1	173	133	107.5	40

Model	Dimension (mm)			
	C	D1	D2	G
R7M-Z20030-S1	60	70	50h8	6
R7M-Z40030-S1	60	70	50h8	6
R7M-Z75030-S1	80	90	70h8	8

Model	Dimension (mm)		
	Z	S	QK
R7M-Z20030-S1	5.5dia	14h6	20
R7M-Z40030-S1	5.5dia	14h6	20
R7M-Z75030-S1	5.5dia	16h6	30

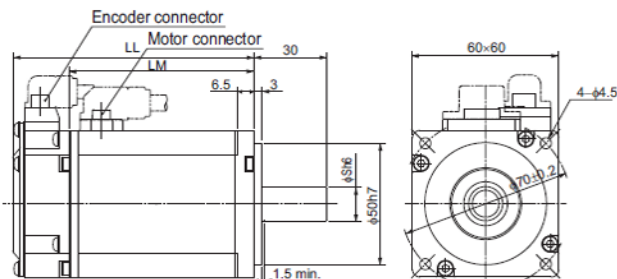
**Recommendable replacement
Model R88M-KN[]H-ML2**

R88M-K10030H-S2



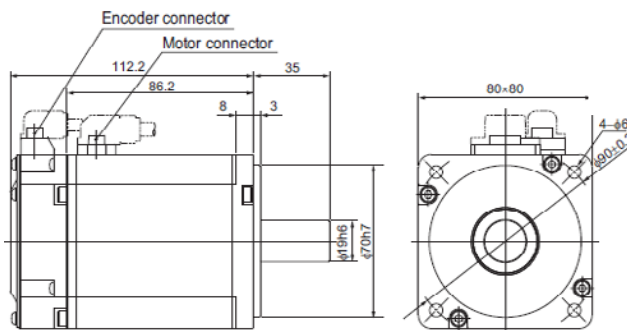
Model	Dimension (mm)		
	LL	LM	LN
R88M-K10030[]	92	68	43

R88M-K20030H-S2/-K40030[]-S2



Model	Dimension (mm)		
	LL	LM	LN
R88M-K20030[]	79.5	56.5	11
R88M-K40030[]	99	76	14

R88M-K75030H-S2



[Characteristics]

Item	Product discontinuation Model R7D-ZN[]	Recommendable replacement Model R88D-KN[]H-ML2
Input power supply voltage (For main circuit and control circuit)	Single-phase 200 to 230 VAC (170 to 253 V), 50/60 Hz	Main circuit: Single-phase 200 to 240 VAC (170 to 264 V) 50/60 Hz Control circuit: Single-phase 200 to 240 VAC (170 to 264 V) 50/60 Hz
Ambient operating temperature humidity	0 to 55°C 90%RH max. (with no condensation)	0 to 55°C 90%RH max. (with no condensation)
Ambient storage temperature humidity	-20 to 70°C 90%RH max. (with no condensation)	-20 to 65°C 90%RH max. (with no condensation)
Insulation resistance	Between power supply/power line terminals and frame ground: 0.5 MΩ min. (at 500 V DC)	Between power supply/power line terminals and frame ground: 0.5 MΩmin. (at 500 V DC)
Dielectric strength	Between power supply/power line terminals and frame ground: 1,500 V AC for 1 min at 50/60 Hz Between each control signal and frame ground: 500 V AC for 1 min	Between power supply/power line terminals and frame ground: 1,500 V AC for 1 min at 50/60 Hz
MECHATROLINK-II	10 Mbps Node address 1 to 31	10 Mbps Node address 1 to 31

Item	Product discontinuation Model R7M-Z[]	Recommendable replacement Model R88M-K[]
Ambient operating temperature humidity	0 to 40°C 20 to 80%RH (with no condensation)	0 to 40°C 20 to 85%RH (with no condensation)
Ambient storage temperature humidity	-20 to 60°C 20 to 80%RH (with no condensation)	-20 to 65°C 20~85%RH (with no condensation)
Degree to protection	IP55 (excluding the through-shaft portion)	IP67 (except for through-shaft parts and motor and encoder connector pins)
Rated rotation speed	3000 r/min	3000 r/min
Max rotation speed	5000 r/min	6000 r/min
Encoder system	Incremental Encoder Optical encoder 256 waves/revolution	Incremental Encoder Optical encoder 20 bits

Specifications and prices in this product news are as of the issue date and are subject to change without notice. Only main changes in specifications are described in this document. Please be sure to read the relevant catalogs, datasheets, product specifications, instructions, and manuals for precautions and necessary information when using products.