

**Product Discontinuation
Notices**

September 1, 2009

RFID Systems

No. 2009245E

**Discontinuation Notice of
RFID System V700 series**

REQUEST

There was modification in portion of discontinuation notices of Product News No. 2009245E of 2009 September issue. Please abolish old edition, replace the latest No. 2009245E

Product Discontinuation



Model V700 series



Recommended Replacement

No recommended replacement

Discontinuation date : The end of September, 2010

Product Discontinuation and recommended replacement

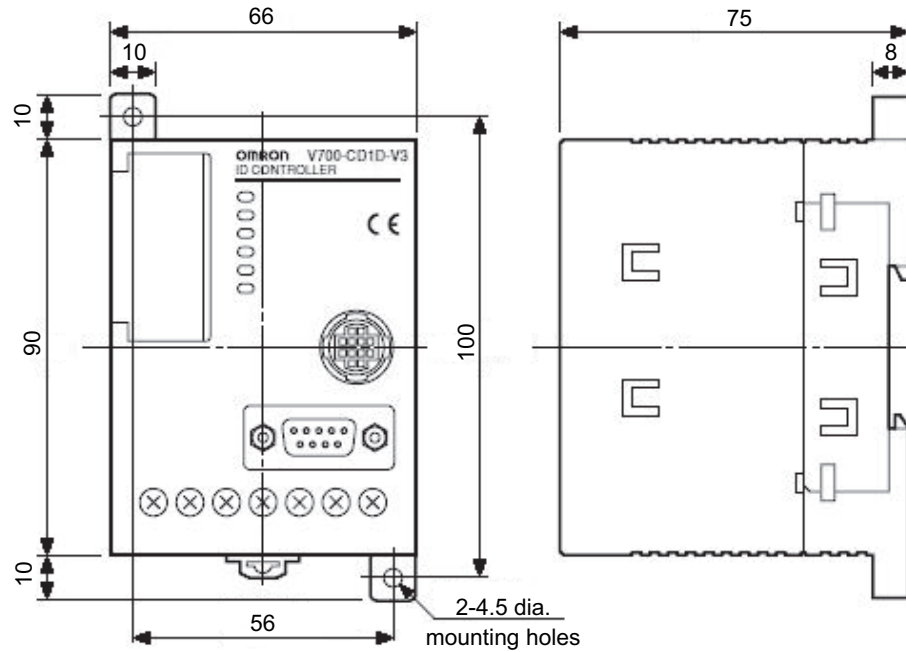
Product discontinuation	Recommended replacement
V700-CD1D-V3	No Replacement
V700-CD2D-V3	No Replacement
V700-CH1D	No Replacement
V700-CH1D-2	No Replacement
V700-H01 0.1M	No Replacement
V700-H01-1 10M	No Replacement
V700-H02 0.1M	No Replacement
V700-HMC73-X0001-1	No Replacement
V700-HMD11 2M	No Replacement
V700-HMD11-1 1M	No Replacement
V700-HMD11-1 2M	No Replacement
V700-HMD11-1 4M	No Replacement
V700-HMD11-1-R 3M	No Replacement
V700-HMD11-1-R 4M	No Replacement
V700-HMD11-2 1M(*1)	No Replacement
V700-HMD11-R 2M	No Replacement
V700-HMD11-X0014 5.5M	No Replacement
V700-HMD11-X0014-1 0.2M	No Replacement
V700-HMD13A	No Replacement
V700-D13P31-X0001	No Replacement
V700-D23P31	No Replacement
V700-D23P31-Y	No Replacement
V700-D23P32	No Replacement
V700-D23P41	No Replacement
V700-D23P41-1	No Replacement
V700-D23P41-X0014	No Replacement
V700-D23P41-Y	No Replacement
V700-D23P61	No Replacement

*1) V700-HMD11-2 was discontinued at December, 2008.

Dimensions

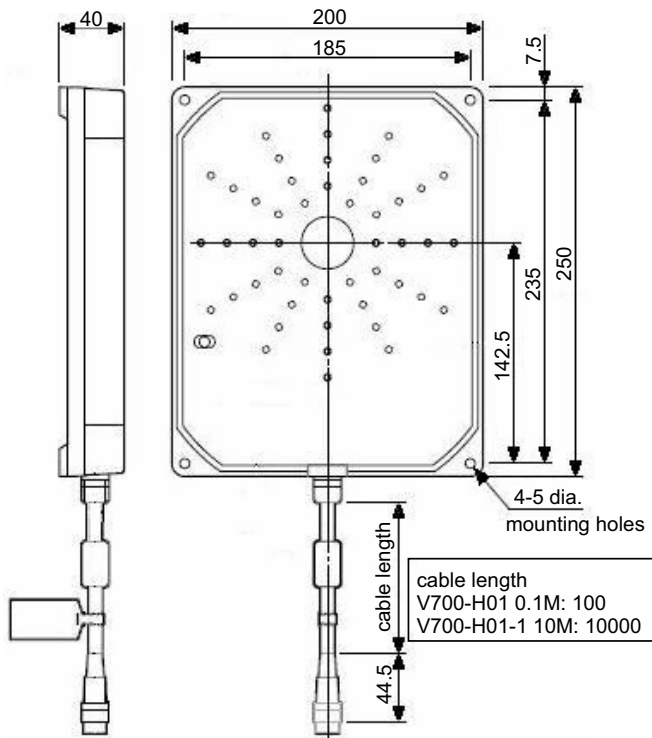
Product discontinuation

Model V700-CD1D-V3

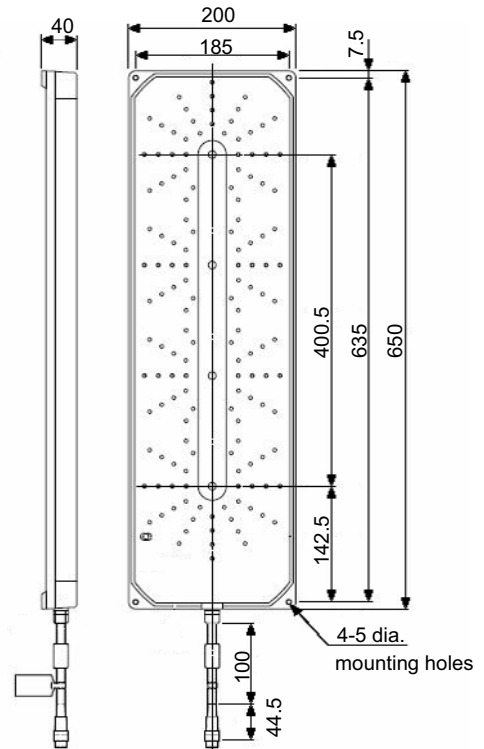


* The outline of V700-CD1D-V3 is as same as V700-CD2D-V3.
The difference between V700-CD1D-V3 and V700-CD2D-V3 is interface connector for host.

Model V700-H01 series



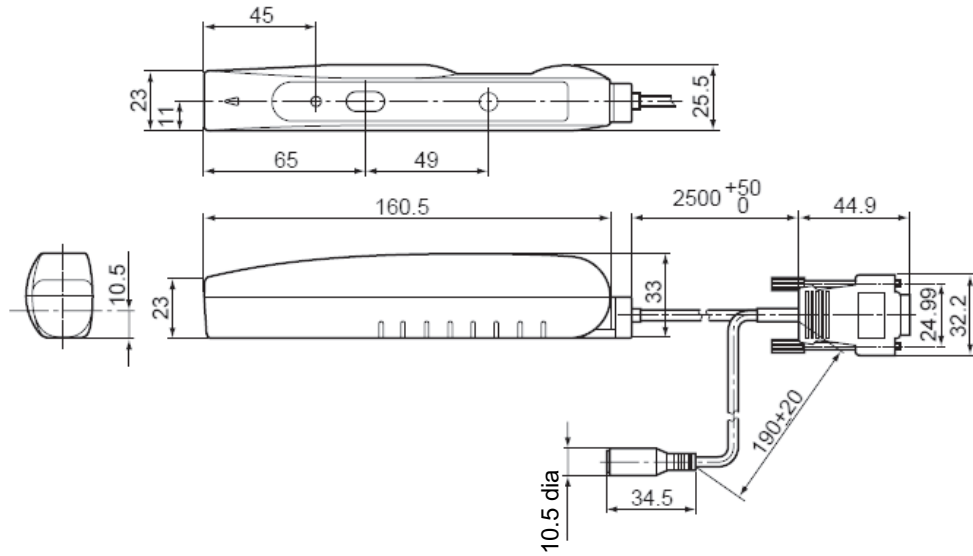
Model V700-H02



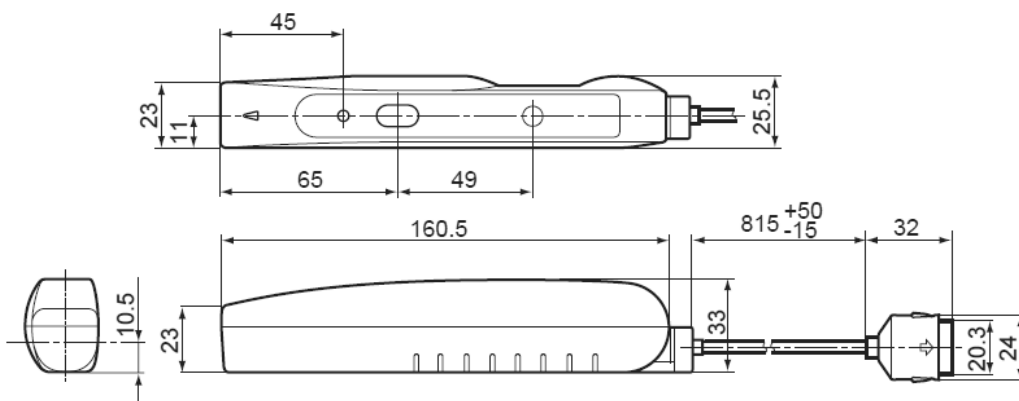
Dimensions

Product discontinuation

Model V700-CH1D



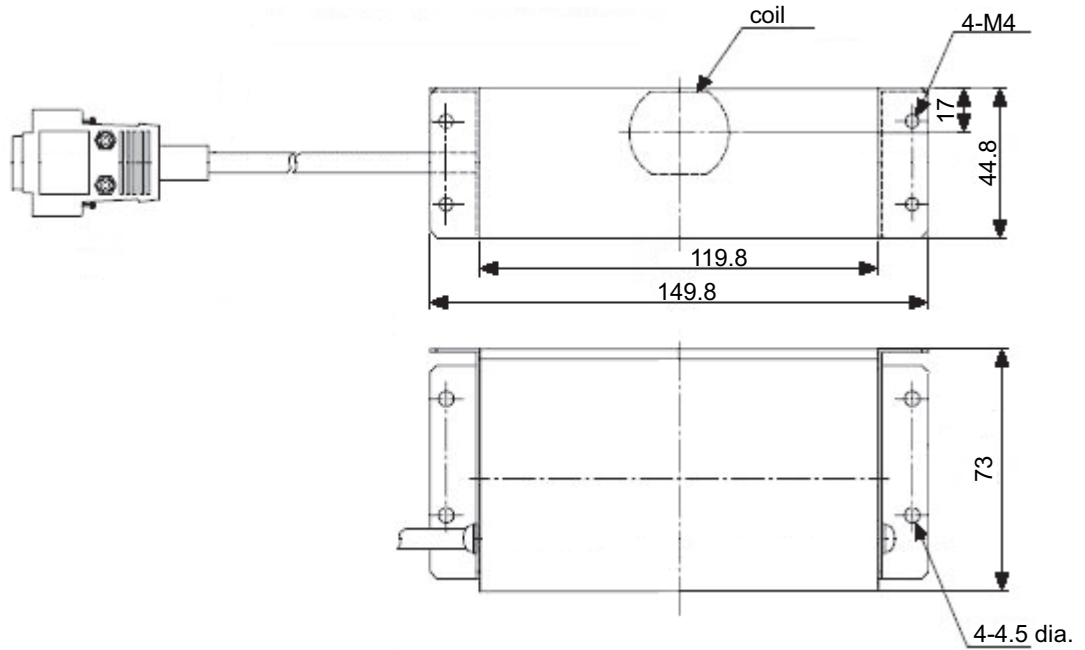
Model V700-CH1D-2



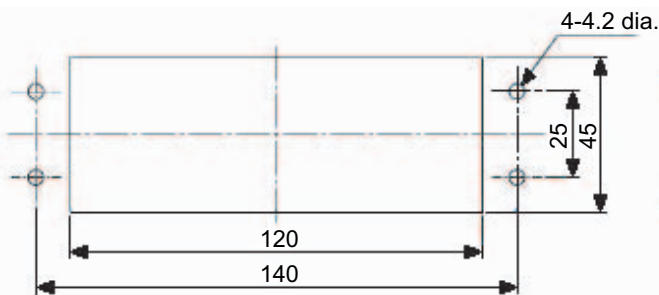
Dimensions

Product discontinuation

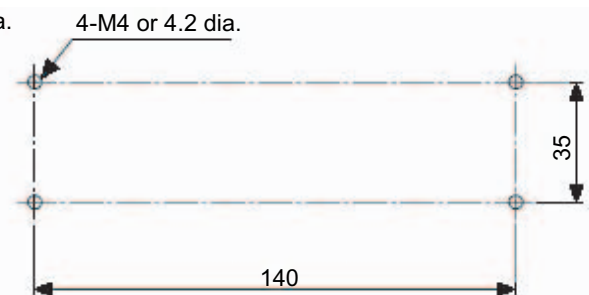
Model V700-HMD13A



Mounting holes dimensions
(top mounting configuration)



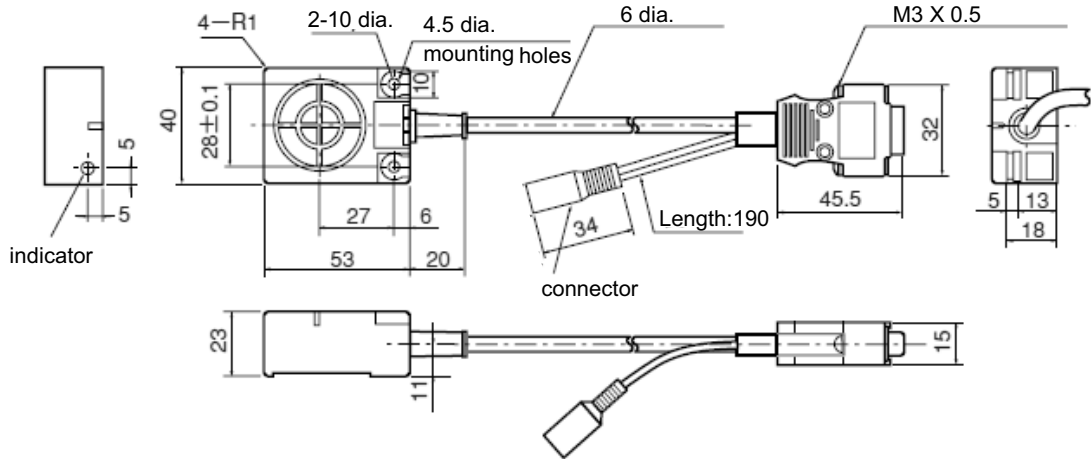
Mounting holes dimensions
(front mounting configuration)



Dimensions

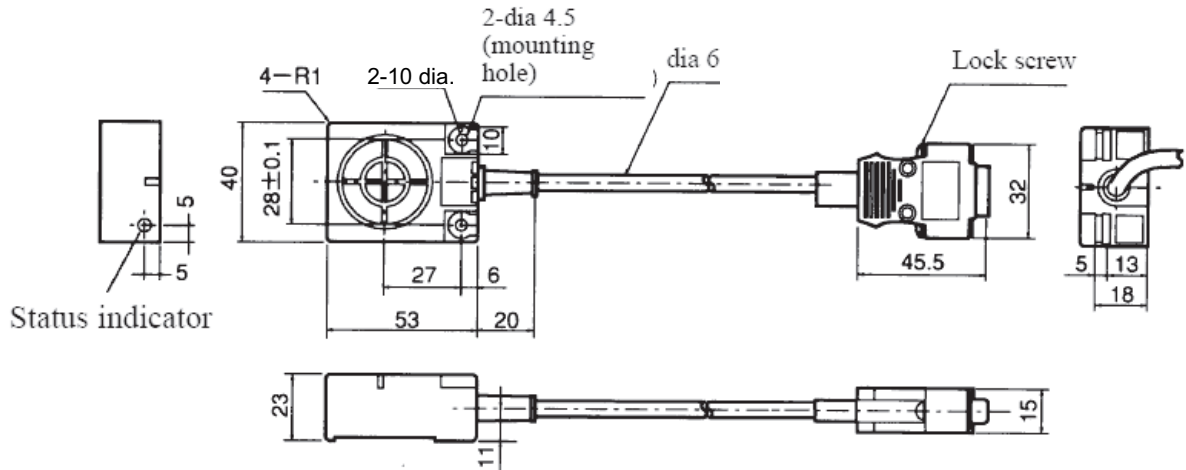
Product discontinuation

Model V700-HMD11



* The difference between V700-HMD11 and V700-HMD11-R is outside diameter of cable. The diameter of V700-HMD11-R is 5.7mm.

Model V700-HMD11-1, V700-HMD11-X0014

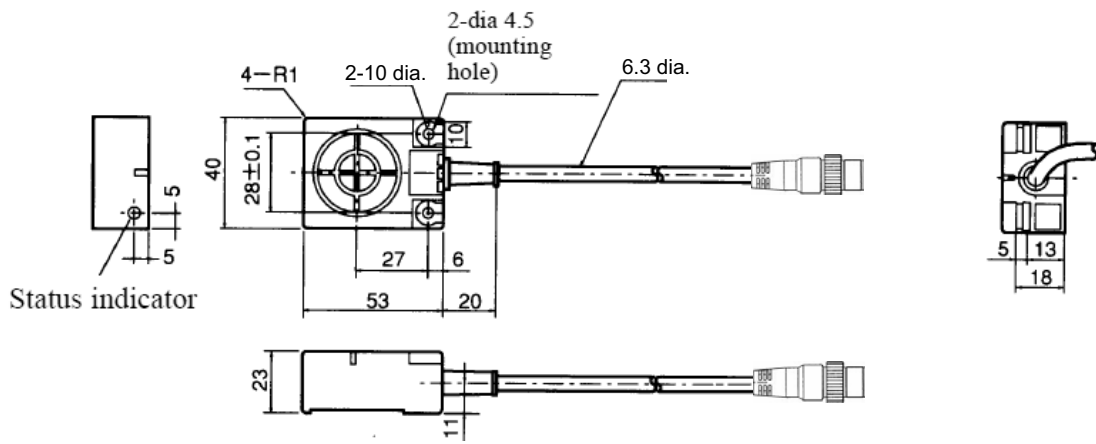


* The difference between V700-HMD11-1 and V700-HMD11-1-R is outside diameter of cable. The diameter of V700-HMD11-1-R is 5.7mm.

Dimensions

Product discontinuation

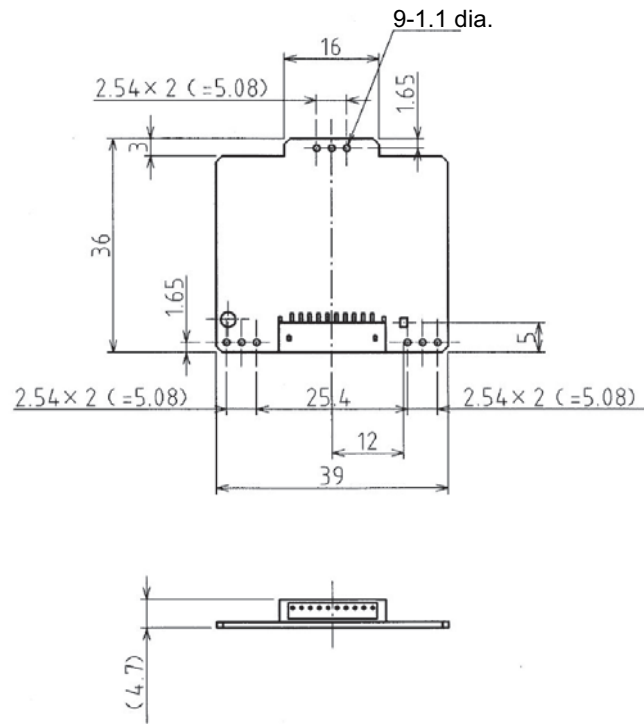
Model V700-HMD11-X0014-1



Dimensions

Product discontinuation

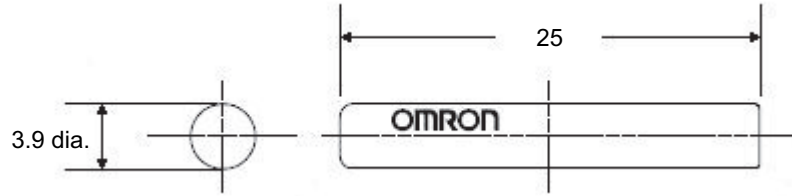
Model V700-HMC73-X0001-1



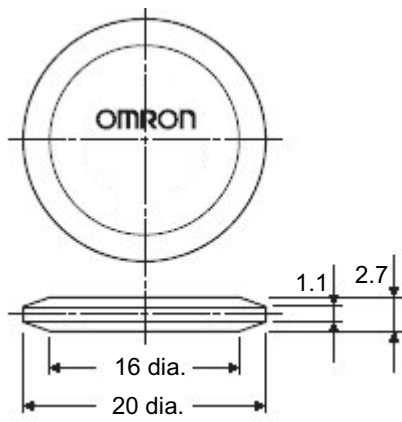
Dimensions

Product discontinuation

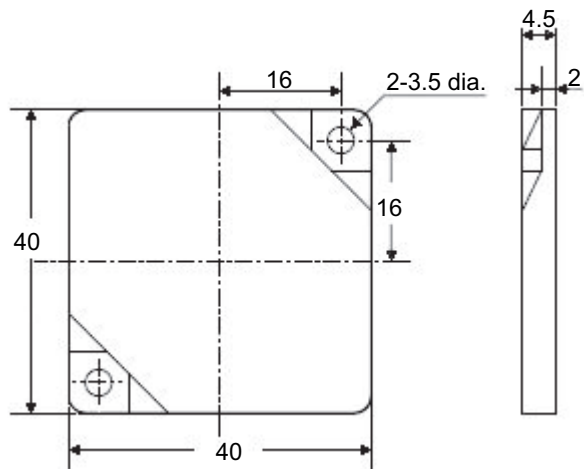
Model V700-D23P41 series



Model V700-D[3P3] series



Model V700-D23P61



Characteristics

Model V700-CD1D-V3 and V700-CD2D-V3

item	Product discontinuation	
	V700-CD1D-V3 and V700-CD2D-V3	
Supply voltage	24VDC +10% / -15%	
Power consumption	20W max.	
Insulation resistance	20MΩ min. (by 100VDC Megger) between the following components: 1) Ground and both power supply terminals 2) Both power supply terminals and both I/O terminals 3) Both power supply terminals and casing 4) Both I/O terminals and ground 5) Both I/O terminals and casing 6) Ground terminal and casing.	
Dielectric strength	Leakage current 10mA max. when 500VAC (50/60 Hz) was applied for 1 minute to the 6 component combinations listed above.	
Vibration resistance	Destruction: 10 to 150Hz, 0.3mm double amplitude in X, Y, and Z directions four times each for 8 minutes	
Shock resistance	Destruction: 200 m/s ² in ±X, ±Y, and ±Z directions 3 times each (18 times total)	
Ambient operating temperature	-10°C to +55°C (with no icing)	
Ambient operating humidity	35% to 85% (with no condensation)	
Ambient storage temperature	-25°C to +65°C (with no icing)	
Ambient storage humidity	35% to 95% (with no condensation)	
Construction	Panel-mounting	
Ground	Ground at a resistance of less than 100Ω. If the Controller is not grounded, communications with ID Tags can be affected easily by surrounding noise.	
Weight	Approx. 290g	

Model V700-CH1D and V700-CH1D-2

item	Product discontinuation	
	V700-CH1D	V700-CH1D-2
Supply voltage	5VDC ±5% (supplied by V600-A22 AC adapter)	5VDC (supplied by DT-10 made by CASIO)
Current consumption	50mA max.	
Insulation resistance	50MΩ min. (by 500VDC Megger) between the following components: 1) Cable terminals and casing	
Dielectric strength	Leakage current 1mA max. when 1,000VAC (50/60 Hz) was applied for 1 minute to the cable terminals and casing.	
Vibration resistance	10 to 150Hz, 0.1mm single amplitude in X, Y, and Z directions 10 times each for 8 minutes	
Shock resistance	150 m/s ² in ±X, ±Y, and ±Z directions 3 times each (18 times total)	
Ambient operating temperature	-10°C to +55°C (with no icing)	
Ambient operating humidity	25% to 85% (with no condensation)	
Ambient storage temperature	-25°C to +65°C (with no icing)	
Construction	IP63 (IEC60529) *except connector	
Cable length	2.5m	0.8m
Weight	Approx. 150g	Approx. 90g

Characteristics

Model V700-H01 series and V700-H02

item	Product discontinuation		
	V700-H01	V700-H02	V700-H01-1
Oscillation frequency	125kHz		
Insulation resistance	20M Ω min. (by 500VDC Megger) between the following components: 1) Cable terminals and casing		
Dielectric strength	Leakage current 1mA max. when 1,000VAC (50/60 Hz) was applied for 1 minute to the cable terminals and casing.		
Vibration resistance	10 to 150Hz, 0.15mm double amplitude in X, Y, and Z directions 2 times each for 8 minutes	10 to 55Hz, 0.1mm double amplitude in X, Y, and Z directions 10 times each for 5 minutes	
Shock resistance	300 m/s ² in \pm X, \pm Y, and \pm Z directions 3 times each (18 times total)	150 m/s ² in \pm X, \pm Y, and \pm Z directions 3 times each (18 times total)	
Ambient operating temperature	-20°C to +55°C (with no icing)		
Ambient operating humidity	35% to 85% (with no condensation)		
Ambient storage temperature	-35°C to +65°C (with no icing)	-20°C to +55°C (with no icing)	
Ambient storage humidity	35% to 95% (with no condensation)		
Construction	IP40 (IEC60529) *except connector	IP64 (IEC60529) *except connector	
Cable length	The cable may be extended to a total length of 50.1 m max.		
Weight	Approx. 800g	Approx. 1760g	Approx. 3500g

Model V700-HMC73-X0001-1

item	Product discontinuation	
	V700-HMC73-X0001-1	
Supply voltage	5VDC \pm 10%	
Current consumption	180mA max. with communication 15mA max. with no communication (*when use standard antenna)	
Vibration resistance	10 to 150Hz, 0.3mm double amplitude in X, Y, and Z directions 4 times each for 8 minutes	
Shock resistance	200 m/s ² in \pm X, \pm Y, and \pm Z directions 3 times each (18 times total)	
Ambient operating temperature	-10°C to +55°C (with no icing)	
Ambient operating humidity	25% to 85% (with no condensation)	
Ambient storage temperature	-25°C to +65°C (with no icing)	
Ambient storage humidity	25% to 95% (with no condensation)	

Characteristics

Model V700-HMD series

item	Product discontinuation			
	V700-HMD11 V700-HMD11-R	V700-HMD11-X0014 V700-HMD11-X0014-1	V700-HMD11-1 V700-HMD11-1-R	V700-HMD13A
Supply voltage	5VDC \pm 5% (supplied by V600-A22 AC adapter)	5VDC to 5.5VDC	5VDC \pm 5% (supplied from interface connector)	
Current consumption	200mA max. with communication 25mA max. with no communication	250mA max. with communication (1.25W max.)		400mA max. with communication (at 5VDC)
Insulation resistance	50M Ω min. (by 500VDC Megger) between the following components: 1) Cable terminals and casing			
Dielectric strength	Leakage current 1mA max. when 1,000VAC (50/60 Hz) was applied for 1 minute to the cable terminals and casing.		Leakage current 5mA max. when 1,000VAC (50/60 Hz) was applied for 1 minute to the cable terminals and casing.	
Vibration resistance	10 to 150Hz, 1.5mm double amplitude in X, Y, and Z directions 4 times each for 8 minutes		10 to 150Hz, 0.2mm double amplitude in X, Y, and Z directions 10 times each for 8 minutes	
Shock resistance	300 m/s ² in \pm X, \pm Y, and \pm Z directions 3 times each (18 times total)		150 m/s ² in \pm X, \pm Y, and \pm Z directions 3 times each (18 times total)	
Ambient operating temperature	-10°C to +55°C (with no icing)		0°C to +40°C (with no icing)	
Ambient operating humidity	25% to 85% (with no condensation)		35% to 85% (with no condensation)	
Ambient storage temperature	-25°C to +65°C (with no icing)		-15°C to +50°C (with no icing)	
Ambient storage humidity	25% to 95% (with no condensation)		35% to 85% (with no condensation)	
Construction	IP67 (IEC60529) / IP67g (JEM1030) *except connector			IP30 (IEC60529)

Characteristics

Model V700-D series

item	Product discontinuation			
	V700-D13P31 series	V700-D23P32	V700-D23P41 series	V700-D23P61
Memory Type	EEP-ROM			
Memory Capacity	240 bytes (user area) Note) V700-D13P31-X0001: 112 bytes (user area)			
Data retention time	10 years after data writing			
Number of overwrites	100,000 times per address			
operating Ambient temperature	-20 to +70 degrees (no freezing)		-25 to +70 degrees (no freezing)	-10 to +70 degrees (no freezing)
Strange Ambient temperature	-40 to +110 degrees (no freezing) For heat resistance at 180 degrees, Tags were left standing at 180 degrees for 200 hours and also subjected to thermal shock for 200 cycles of 30 minutes each at 25 degrees and 180 degrees.	-40 to +110 degrees (no freezing) For heat resistance at 120 degrees, Tags were left standing at 120 degrees for 200 hours and also subjected to thermal shock for 200 cycles of 30 minutes each at 25 degrees and 120 degrees.	-40 to +110 degrees (no freezing)	-40 to +70 degrees (no freezing)
Protection rating	IP68		IP67	
Vibration resistance	Vibration of 10 to 2,000Hz, 1.5mm double amplitude, acceleration of 150m/s ² for 15 minutes each in X, Y, Z directions, 10 sweeps			
Shock resistance	500 m/s ² in ±X, ±Y and ±Z directions three times each (18 times total)			
Materials	PPS resin		Case: PBT resin Filler: Epoxy resin	
Weight	Approx. 2g		Approx. 1g	Approx. 6.5g

Note: About the detail characteristics and operation ratings, please confirm the operation manuals.