

Discontinuation Notice of Compact Photoelectric Sensor with Built-in Amplifier E3Z series (for china area only)

Product Discontinuation



E3Z series

E3Z-□□□□-ECON(-C) /-G0

E3Z-□□□□-#. #M

E3Z-□□□□-M5J 0.3M

E3Z-□□□□-G0/S0

Customize type (easy order)

E3Z-□□□□-G0□

E3Z-□□□□-G2□

E3Z-□□□□-J0□

E3Z-□□□□-S0□



Recommended Replacement

E3Z series

E3Z-□□□□

2m/connector type

Discontinuation date : The end of March, 2012

Caution on recommended replacement

- Pre-wired connector type will change to pre-wired cable or plug-in connector type
- The flexibility in cable length will be obsolete and only 2m type will be available.
- Special functions that can be added to the easy order types such as self-diagnostic function will not be available.

Difference from discontinued product

| Model | Body Color | Dimensions | Wire connection | Mounting Dimensions | Characteristics | Operation ratings | Operation methods |
|----------|------------|------------|-----------------|---------------------|-----------------|-------------------|-------------------|
| E3Z-□□□□ | ** | ** | * | ** | -- | * | * |

** : Fully compatible

* : The change is a little/Almost compatible

-- : Not compatible

- : No corresponding specification

Product Discontinuation and recommended replacement

| Product discontinuation | Recommended replacement |
|--------------------------|-------------------------|
| E3Z-T61-ZH1 0.5M BY OMS | E3Z-T61 2M |
| E3Z-R81H 2M BY OMS | E3Z-R81 2M |
| E3Z-T81H 2M BY OMS | E3Z-T81 2M |
| E3Z-T61 10M BY OMS | E3Z-T61 2M |
| E3Z-R61H 0.5M BY OMS | E3Z-R61 2M |
| E3Z-R61H 5M BY OMS | E3Z-R61 2M |
| E3Z-T81H 5M BY OMS | E3Z-T81 2M |
| E3Z-R81H 5M BY OMS | E3Z-R81 2M |
| E3Z-T61H 0.5M BY OMS | E3Z-T61 2M |
| E3Z-R81H 0.5M BY OMS | E3Z-R81 2M |
| E3Z-T61H 5M BY OMS | E3Z-T61 2M |
| E3Z-T61AH 0.5M BY OMS | E3Z-T61A 2M |
| E3Z-T61AH 5M BY OMS | E3Z-T61A 2M |
| E3Z-R81 10M BY OMS | E3Z-R81 2M |
| E3Z-R86H BY OMS | E3Z-R86 |
| E3Z-D61 10M BY OMS | E3Z-D61 2M |
| E3Z-T61-ECON 0.3M BY OMS | E3Z-T61 2M |
| E3Z-T61-ECON 0.5M BY OMS | E3Z-T61 2M |
| E3Z-T61-ECON 2M BY OMS | E3Z-T61 2M |
| E3Z-R61-ECON 0.3M BY OMS | E3Z-R61 2M |
| E3Z-R61-ECON 0.5M BY OMS | E3Z-R61 2M |
| E3Z-R61-ECON 2M BY OMS | E3Z-R61 2M |
| E3Z-D61-ECON 0.3M BY OMS | E3Z-D61 2M |
| E3Z-D61-ECON 0.5M BY OMS | E3Z-D61 2M |
| E3Z-D61-ECON 2M BY OMS | E3Z-D61 2M |
| E3Z-D62-ECON 0.3M BY OMS | E3Z-D62 2M |
| E3Z-D62-ECON 0.5M BY OMS | E3Z-D62 2M |
| E3Z-D62-ECON 2M BY OMS | E3Z-D62 2M |
| E3Z-T61-ECON-C 2M BY OMS | E3Z-T61 2M |
| E3Z-R61-ECON-C 2M BY OMS | E3Z-R61 2M |
| E3Z-D61-ECON-C 2M BY OMS | E3Z-D61 2M |
| E3Z-D62-ECON-C 2M BY OMS | E3Z-D62 2M |
| E3Z-B62-ECON 0.5M BY OMS | E3Z-B62 2M |
| E3Z-B62-ECON 2M BY OMS | E3Z-B62 2M |
| E3Z-T81-M5J 0.3M BY OMS | E3Z-T81 2M |
| E3Z-T81A-M5J 0.3M BY OMS | E3Z-T81A 2M |
| E3Z-T61-M5J 0.3M BY OMS | E3Z-T61 2M |
| E3Z-T61A-M5J 0.3M BY OMS | E3Z-T61A 2M |
| E3Z-D61-M5J 0.3M BY OMS | E3Z-D61 2M |
| E3Z-D62-M5J 0.3M BY OMS | E3Z-D62 2M |
| E3Z-D81-M5J 0.3M BY OMS | E3Z-D81 2M |
| E3Z-D82-M5J 0.3M BY OMS | E3Z-D82 2M |
| E3Z-R61-M5J 0.3M BY OMS | E3Z-R61 2M |
| E3Z-R81-M5J 0.3M BY OMS | E3Z-R81 2M |
| E3Z-L61-M5J 0.3M BY OMS | E3Z-L61 2M |
| E3Z-L81-M5J 0.3M BY OMS | E3Z-L81 2M |
| E3Z-T61AH 2M BY OMS | E3Z-T61A 2M |
| E3Z-T81AH 2M BY OMS | E3Z-T81A 2M |
| E3Z-T81AH 5M BY OMS | E3Z-T81A 2M |
| E3Z-T81AH 0.5M BY OMS | E3Z-T81A 2M |
| E3Z-T81-AS0 2M BY OMS | E3Z-T81 2M |

Product Discontinuation and recommended replacement

| Product discontinuation | Recommended replacement |
|--------------------------------|--------------------------------|
| E3Z-T61A-ECON 0.3M BY OMS | E3Z-T61A 2M |
| E3Z-T61A-ECON 0.5M BY OMS | E3Z-T61A 2M |
| E3Z-T61A-ECON 2M BY OMS | E3Z-T61A 2M |
| E3Z-LS61-ECON 0.3M BY OMS | E3Z-LS61 2M |
| E3Z-LS61-ECON 0.5M BY OMS | E3Z-LS61 2M |
| E3Z-LS61-ECON 2M BY OMS | E3Z-LS61 2M |
| E3Z-L61-ECON 0.3M BY OMS | E3Z-L61 2M |
| E3Z-L61-ECON 0.5M BY OMS | E3Z-L61 2M |
| E3Z-L61-ECON 2M BY OMS | E3Z-L61 2M |
| E3Z-B61-ECON 0.3M BY OMS | E3Z-B61 2M |
| E3Z-B61-ECON 0.5M BY OMS | E3Z-B61 2M |
| E3Z-B61-ECON 2M BY OMS | E3Z-B61 2M |
| E3Z-B62-ECON 0.3M BY OMS | E3Z-B62 2M |
| E3Z-G61-ECON 0.3M BY OMS | E3Z-G61 2M |
| E3Z-G61-ECON 0.5M BY OMS | E3Z-G61 2M |
| E3Z-G61-ECON 2M BY OMS | E3Z-G61 2M |
| E3Z-G62-ECON 0.3M BY OMS | E3Z-G62 2M |
| E3Z-G62-ECON 0.5M BY OMS | E3Z-G62 2M |
| E3Z-G62-ECON 2M BY OMS | E3Z-G62 2M |
| E3Z-R81-AS4 10M BY OMS | E3Z-R81 2M |
| E3Z-LR61-S0SCW-A2 BY OMS | E3Z-LR61 2M |
| E3Z-LL61-F80H 5M BY OMS | E3Z-LL61 2M |
| E3Z-LR81 10M BY OMS | E3Z-LR81 2M |
| E3Z-LT81-M5J 0.3M BY OMS | E3Z-LT81 2M |
| E3Z-LS81 10M BY OMS | E3Z-LS81 2M |
| E3Z-LS61C-S0SRW-P2 BY OMS | E3Z-LS61 2M |
| E3Z-T61-M5J 0.5M BY OMS | E3Z-T61 2M |
| E3Z-R81H-M1J 0.3M BY OMS | E3Z-R81 2M |
| E3Z-T61 #.#M (0.3-0.4M) BY OMS | E3Z-T61 2M |
| E3Z-T61 #.#M (0.6-1.9M) BY OMS | E3Z-T61 2M |
| E3Z-T61 #.#M (2.1-4.9M) BY OMS | E3Z-T61 2M |
| E3Z-T61 #.#M (5.1-9.9M) BY OMS | E3Z-T61 2M |
| E3Z-R61 #.#M (0.3-0.4M) BY OMS | E3Z-R61 2M |
| E3Z-R61 #.#M (0.6-1.9M) BY OMS | E3Z-R61 2M |
| E3Z-R61 #.#M (2.1-4.9M) BY OMS | E3Z-R61 2M |
| E3Z-R61 #.#M (5.1-9.9M) BY OMS | E3Z-R61 2M |
| E3Z-D61 #.#M (0.3-0.4M) BY OMS | E3Z-D61 2M |
| E3Z-D61 #.#M (0.6-1.9M) BY OMS | E3Z-D61 2M |
| E3Z-D61 #.#M (2.1-4.9M) BY OMS | E3Z-D61 2M |
| E3Z-D61 #.#M (5.1-9.9M) BY OMS | E3Z-D61 2M |
| E3Z-D62 #.#M (0.3-0.4M) BY OMS | E3Z-D62 2M |
| E3Z-D62 #.#M (0.6-1.9M) BY OMS | E3Z-D62 2M |
| E3Z-D62 #.#M (2.1-4.9M) BY OMS | E3Z-D62 2M |
| E3Z-D62 #.#M (5.1-9.9M) BY OMS | E3Z-D62 2M |
| E3Z-B61-S0SRW-E3 BY OMS | E3Z-B61 2M |
| E3Z-B61-S0SRW-E2 BY OMS | E3Z-B61 2M |
| E3Z-B62-S0SRW-E5 BY OMS | E3Z-B62 2M |
| E3Z-B62-S0SRW-E2 BY OMS | E3Z-B62 2M |
| E3Z-L61-S0SRW-E3 BY OMS | E3Z-L61 2M |
| E3Z-L61-S0SRW-E2 BY OMS | E3Z-L61 2M |

Product Discontinuation and recommended replacement

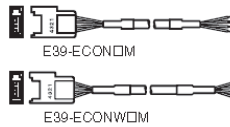
| Product discontinuation | Recommended replacement |
|--------------------------------|--------------------------------|
| E3Z-G61-S0SHW-E5 BY OMS | E3Z-G61 2M |
| E3Z-G61-S0SHW-E2 BY OMS | E3Z-G61 2M |
| E3Z-G62-S0SHW-E5 BY OMS | E3Z-G62 2M |
| E3Z-G62-S0SHW-E2 BY OMS | E3Z-G62 2M |
| E3Z-B61-S0SRW-M1 BY OMS | E3Z-B61 2M |
| E3Z-T62-G0 2M BY OMS | E3Z-T62 2M |
| E3Z-T82-G0 2M BY OMS | E3Z-T82 2M |
| E3Z-T87-G0 BY OMS | E3Z-T87 |
| E3Z-LS61-S0SRW-P2-N BY OMS | E3Z-LS61 2M |
| E3Z-B62-S0SDW-P2 BY OMS | E3Z-B62 2M |
| E3Z-LT81-L 10M BY OMS | E3Z-LT81 2M |
| E3Z-LT81-D 10M BY OMS | E3Z-LT81 2M |
| E3Z-LT61-J0SCW-P2 BY OMS | E3Z-LT61 2M |
| E3Z-LL81-M5J 0.3M BY OMS | E3Z-LL81 2M |
| E3Z-LS81-M5J 0.3M BY OMS | E3Z-LS81 2M |
| E3Z-LT61-J0SCW-P5 BY OMS | E3Z-LT61 2M |
| E3Z-T81A 10M BY OMS | E3Z-T81A 2M |
| E3Z-B62-S0SDW-CN BY OMS | E3Z-B67 |
| E3Z-D81H 2M BY OMS | E3Z-D81 2M |
| E3Z-B62-S0SDW-E3 BY OMS | E3Z-B62 2M |
| E3Z-D82H 0.5M BY OMS | E3Z-D82 2M |

Wire Connection

Product discontinuation

E3Z-□□□-ECON(C)/E2/E3/E5

e-CON connector



Pin arrangement

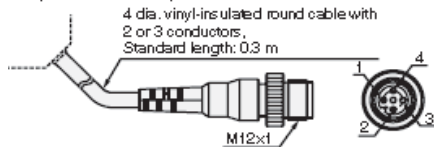
| Classification | Wire color | Connector pin No. | Application |
|----------------|------------|-------------------|-----------------------|
| DC | Brown | 1 | Power supply (+V) |
| | White | 2 | (Emission stop input) |
| | Blue | 3 | Power supply (0 V) |
| | Black | 4 | Output |

Note: Pin 2 is not used.

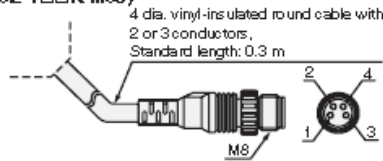
- E2: ECON cable 2m
- E3: ECON cable 0.3m
- E5: ECON cable 0.5m

E3Z-□□□-M1/M3/M5/M5J

M12 Pre-wired Connector (E3Z-T□□-M1J)



M8 Pre-wired Connector (E3Z-T□□K-M3J)



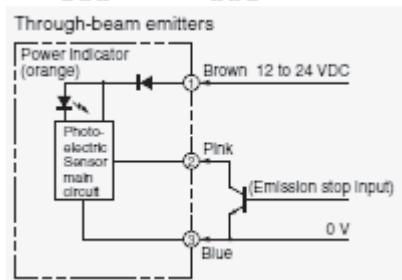
E3Z-□□□-05/P1/P2/P5

- 05: cable 0.5m
- P1: cable 1m
- P2: cable 2m
- P5: cable 5m

E3Z-□□□#.#M (□M-□M)

Cable length: #.# m

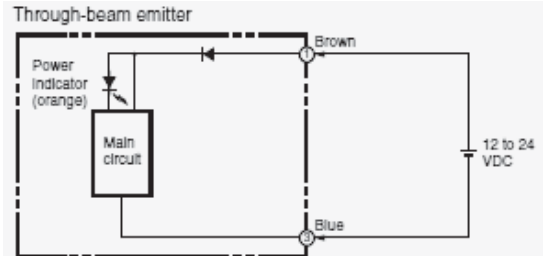
E3Z-□□□-G0/G2-□□□



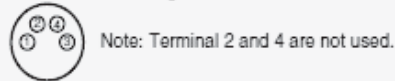
- G0: Emission stop function
- G2: Power Change function

Recommendable replacement

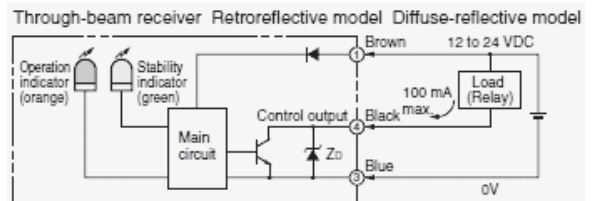
E3Z-□□□ 2m/connector type



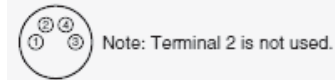
Connector Pin Arrangement



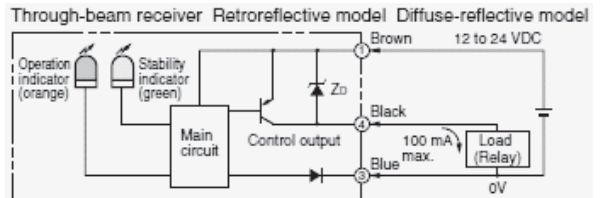
NPN



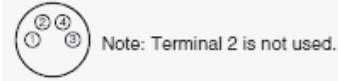
Connector Pin Arrangement



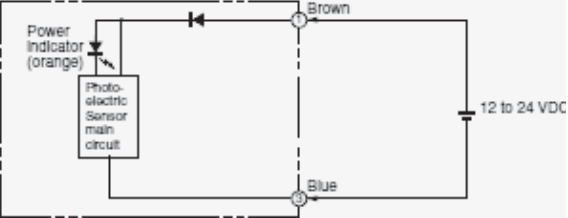
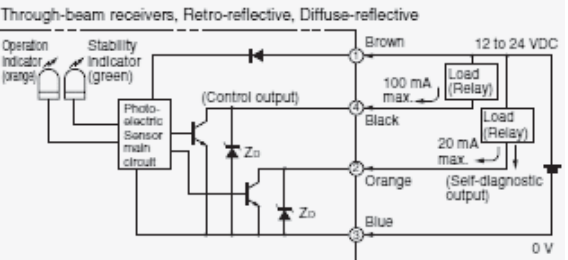
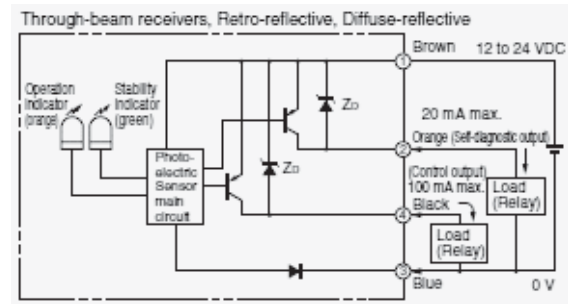
PNP



Connector Pin Arrangement



Wire Connection

| Product discontinuation | Recommendable replacement |
|---|---------------------------|
| <p>E3Z-□□□-J0</p> <p>Through-beam emitters</p>  <p>NPN</p> <p>Through-beam receivers, Retro-reflective, Diffuse-reflective</p>  <p>PNP</p> <p>Through-beam receivers, Retro-reflective, Diffuse-reflective</p>  | |

Characteristics

| Item | Product discontinuation Model E3Z-□□□-J0□□□ | Recommendable replacement Model E3Z-□□□ |
|--------------------------|---|--|
| Self-diagnostic function | (Self-diagnostic function only) Load power supply voltage: 26.4 VDC max. Load current: 20mA max. Residual voltage: 1V max. Open collector output (NPN/PNP depending on model) | Without self-diagnostic function |

| Item | Product discontinuation Model E3Z-□□□-G0□□□/ E3Z-□□□-G2□□□ | Recommendable replacement Model E3Z-□□□ |
|------------------------|--|--|
| Emission stop function | <NPN models> Emission OFF: Short-circuit to 0 V or 1.5 V max. (Outflow current 1 mA max.), Emission ON: Disconnected (Leakage current 0.1 mA max.) <PNP models> Emission OFF: Short-circuit to + DC (Power supply plus side) or + DC-1.5 V max. (Inlet current 3 mA max.), Emission ON: Disconnected (Leakage current 0.1 mA max.) | Without Emission stop function |

| Item | Product discontinuation Model E3Z-□□□-□□T□ | Recommendable replacement Model E3Z-□□□ |
|----------------|---|--|
| Timer function | OFF delay 10 ms | Without timer function |