

Product Discontinuation Notices

Vision Sensors / Machine Vision Systems

October 1, 2012

No. 2012255E

Discontinuation Notice of Mega-Pixels Lens FZ-LEH series.

Product Discontinuation

Low Distortion Lens

Model FZ-LEH5
Model FZ-LEH8
Model FZ-LEH12
Model FZ-LEH16
Model FZ-LEH25
Model FZ-LEH35
Model FZ-LEH50



Recommended Replacement

Low Distortion Lens

Model 3Z4S-LE SV-0614H
Model 3Z4S-LE SV-0814H
Model 3Z4S-LE SV-1214H
Model 3Z4S-LE SV-1614H
Model 3Z4S-LE SV-2514H
Model 3Z4S-LE SV-3514H
Model 3Z4S-LE SV-5014H

[Discontinuation date]

The end of March, 2013

[Caution on recommended replacement]

Please consider when mounting a lens, because there is a difference of the outline.

The replacement product for FZ-LEH5 (focal distance:5mm) is 3Z4S-LE SV-0614H (focal distance:6mm).

And so, please change the Camera mounting distance, because the focal distance is different.

[Difference from discontinued product]

Recommended replacement Model	Body Color	Dimensions	Wire connection	Mounting Dimensions	Characteristics	Operation ratings	Operation methods
3Z4S-LE SV-0614H	*	*	-	**	*	-	**
3Z4S-LE SV-0814H	*	*	-	**	*	-	**
3Z4S-LE SV-1214H	*	*	-	**	*	-	**
3Z4S-LE SV-1614H	*	*	-	**	*	-	**
3Z4S-LE SV-2514H	*	*	-	**	*	-	**
3Z4S-LE SV-3514H	*	*	-	**	*	-	**
3Z4S-LE SV-5014H	*	*	-	**	*	-	**

** : Fully compatible

* : The change is a little/Almost compatible

-- : Not compatible

- : No corresponding specification

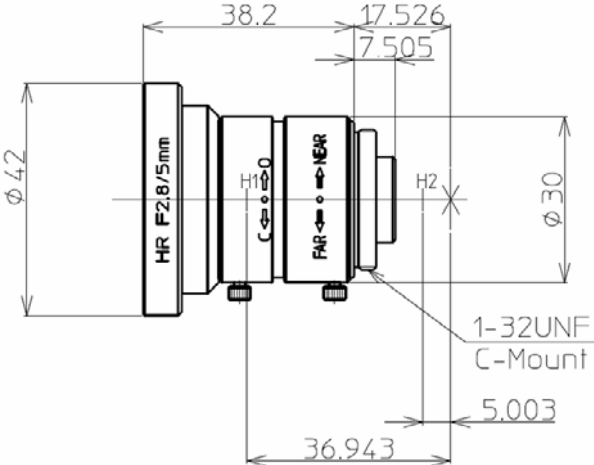
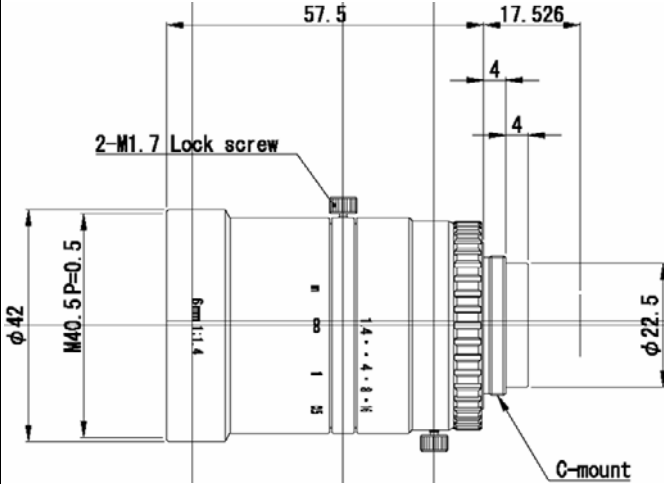
[Product Discontinuation and recommended replacement]

Product discontinuation	Recommended replacement
FZ-LEH5	3Z4S-LE SV-0614H
FZ-LEH8	3Z4S-LE SV-0814H
FZ-LEH12	3Z4S-LE SV-1214H
FZ-LEH16	3Z4S-LE SV-1614H
FZ-LEH25	3Z4S-LE SV-2514H
FZ-LEH35	3Z4S-LE SV-3514H
FZ-LEH50	3Z4S-LE SV-5014H

[Body color]

Product discontinuation Model FZ-LEH Series	Recommendable replacement Model 3Z4S-LE SV-H Series
 <p>Ex.) FZ-LEH16</p>	<p>(equivalent)</p> 

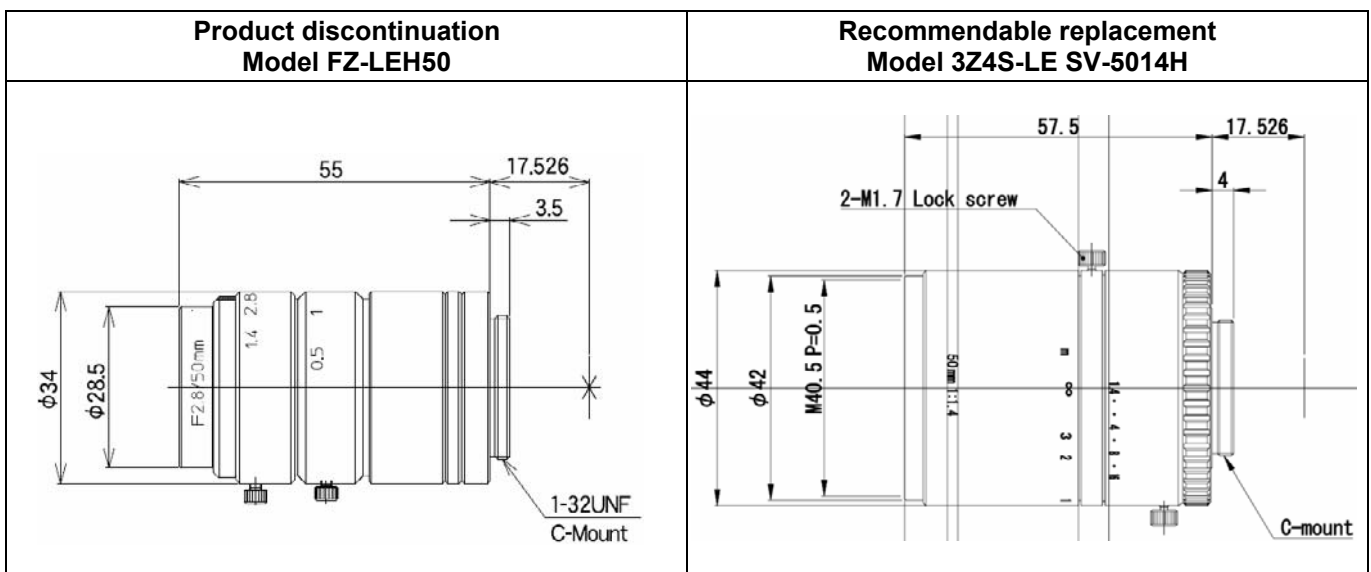
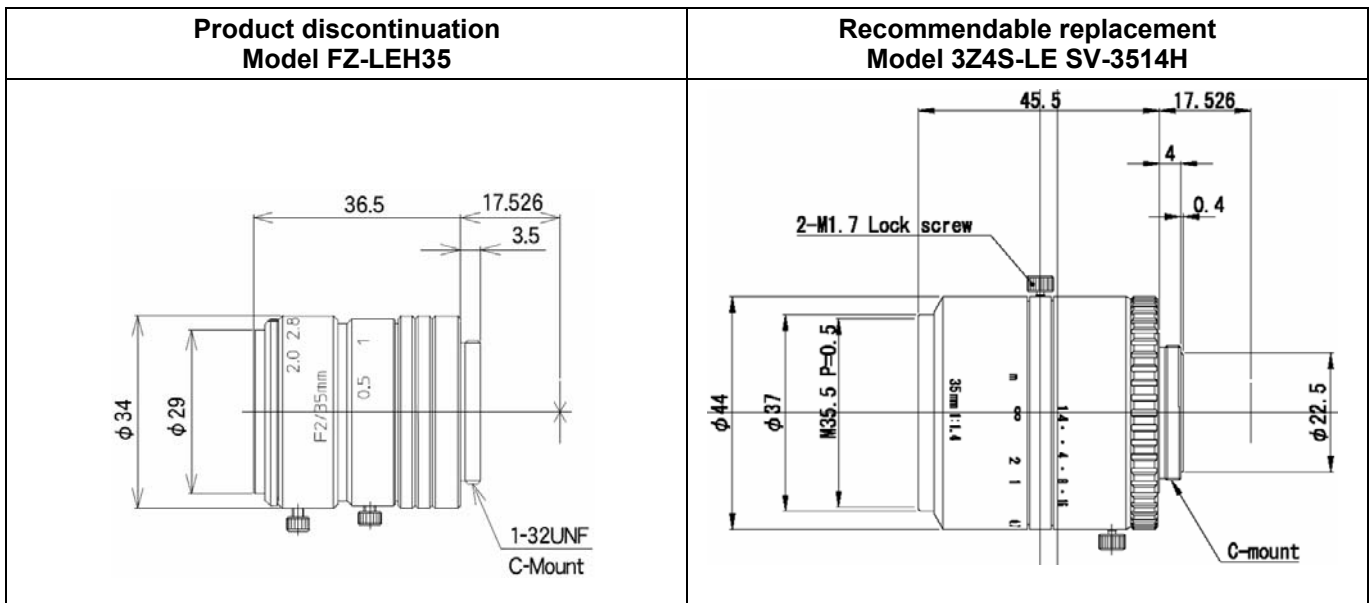
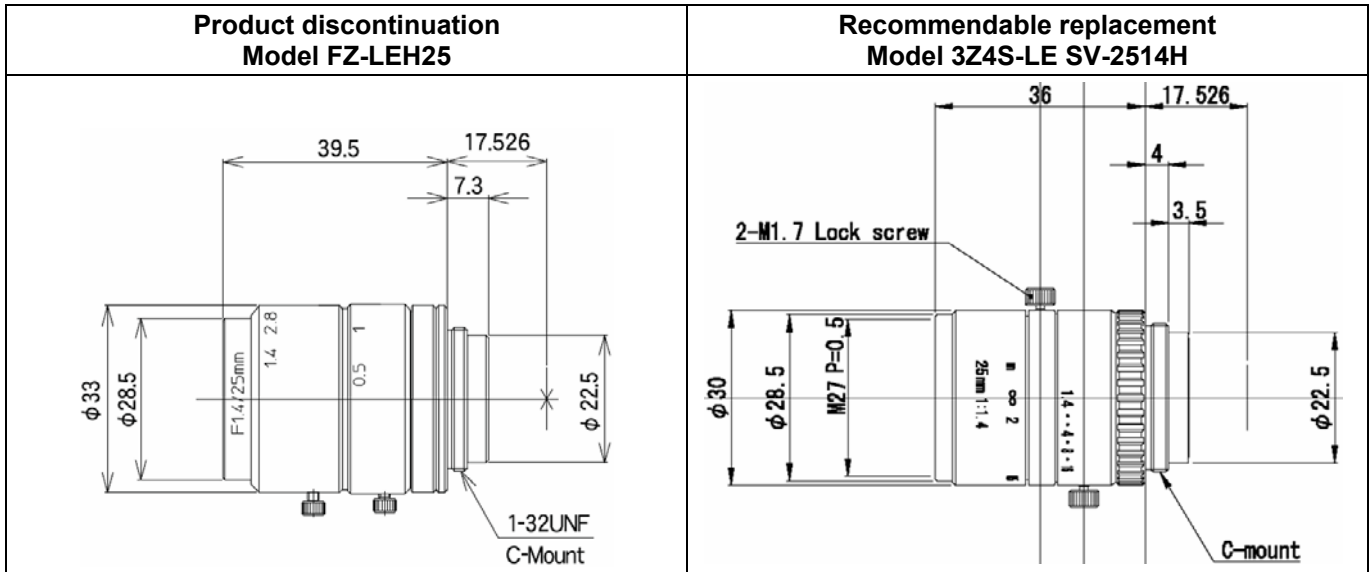
[Dimensions]

Product discontinuation Model FZ-LEH5	Recommendable replacement Model 3Z4S-LE SV-0614H
	

Product discontinuation Model FZ-LEH8	Recommendable replacement Model 3Z4S-LE SV-0814H

Product discontinuation Model FZ-LEH12	Recommendable replacement Model 3Z4S-LE SV-1214H

Product discontinuation Model FZ-LEH16	Recommendable replacement Model 3Z4S-LE SV-1614H



[Characteristics]

Item	Product discontinuation Model FZ-LEH5	Recommendable replacement Model 3Z4S-LE SV-0614H
Focal distance (mm)	5	6.1
Focus (F No.)	F2.8	F1.4
Field of view (V × H)	82.4 × 66.9	71.5 × 56.8
Closest distance (mm)	50	100
Center definition (lines per mm)	100	100
TV Distortion (%)	0.5	-0.05
Weight (g)	90	145
Dimension	φ 42 × 38.2	φ 42 × 57.5
Maximum compatible CCD	2/3 Inch	2/3 Inch
Camera Mount	C-Mount	C-Mount

Item	Product discontinuation Model FZ-LEH8	Recommendable replacement Model 3Z4S-LE SV-0814H
Focal distance (mm)	8	8
Focus (F No.)	F1.4	F1.4
Field of view (V × H)	56.5 × 43.9	57.6 × 44.9
Closest distance (mm)	120	100
Center definition (lines per mm)	100	100
TV Distortion (%)	0.6	-0.06
Weight (g)	90	125
Dimension	φ 34 × 41.6	φ 39 × 52.5
Maximum compatible CCD	2/3 Inch	2/3 Inch
Camera Mount	C-Mount	C-Mount

Item	Product discontinuation Model FZ-LEH12	Recommendable replacement Model 3Z4S-LE SV-1214H
Focal distance (mm)	12.5	12.3
Focus (F No.)	F1.4	F1.4
Field of view (V × H)	38.3 × 26.2	39.6 × 30.2
Closest distance (mm)	150	100
Center definition (lines per mm)	100	100
TV Distortion (%)	-0.07	-0.04
Weight (g)	75	85
Dimension	φ 34 × 37	φ 30 × 51
Maximum compatible CCD	2/3 Inch	2/3 Inch
Camera Mount	C-Mount	C-Mount

Item	Product discontinuation Model FZ-LEH16	Recommendable replacement Model 3Z4S-LE SV-1614H
Focal distance (mm)	16	16
Focus (F No.)	F1.4	F1.4
Field of view (V × H)	30 × 22.7	30.6 × 23.1
Closest distance (mm)	210	100
Center definition (lines per mm)	100	100
TV Distortion (%)	-0.05	0.1
Weight (g)	81	85
Dimension	φ 33 × 36.5	φ 30 × 47.5
Maximum compatible CCD	2/3 Inch	2/3 Inch
Camera Mount	C-Mount	C-Mount

Item	Product discontinuation Model FZ-LEH25	Recommendable replacement Model 3Z4S-LE SV-2514H
Focal distance (mm)	25	25
Focus (F No.)	F1.4	F1.4
Field of view (V × H)	19.6 × 14.8	20.0 × 15.0
Closest distance (mm)	210	150
Center definition (lines per mm)	100	100
TV Distortion (%)	-0.04	0.07
Weight (g)	89	65
Dimension	φ 33 × 39.5	φ 30 × 36
Maximum compatible CCD	2/3 Inch	2/3 Inch
Camera Mount	C-Mount	C-Mount

Item	Product discontinuation Model FZ-LEH35	Recommendable replacement Model 3Z4S-LE SV-3514H
Focal distance (mm)	35	35.01
Focus (F No.)	F2.0	F1.4
Field of view (V × H)	14.4 × 10.8	14.3 × 10.8
Closest distance (mm)	210	200
Center definition (lines per mm)	100	100
TV Distortion (%)	-0.2	-0.02
Weight (g)	69	150
Dimension	φ 34 × 36.5	φ 44 × 45.5
Maximum compatible CCD	2/3 Inch	2/3 Inch
Camera Mount	C-Mount	C-Mount

Item	Product discontinuation Model FZ-LEH50	Recommendable replacement Model 3Z4S-LE SV-5014H
Focal distance (mm)	50	50
Focus (F No.)	F2.8	F1.4
Field of view (V × H)	9.6 × 7.2	10.0 × 7.5
Closest distance (mm)	210	300
Center definition (lines per mm)	100	100
TV Distortion (%)	-0.03	0.03
Weight (g)	92	170
Dimension	φ 34 × 55	φ 44 × 57.5
Maximum compatible CCD	2/3 Inch	2/3 Inch
Camera Mount	C-Mount	C-Mount

As of October, 2012

In the interest of product improvement, specifications are subject to change without notice.